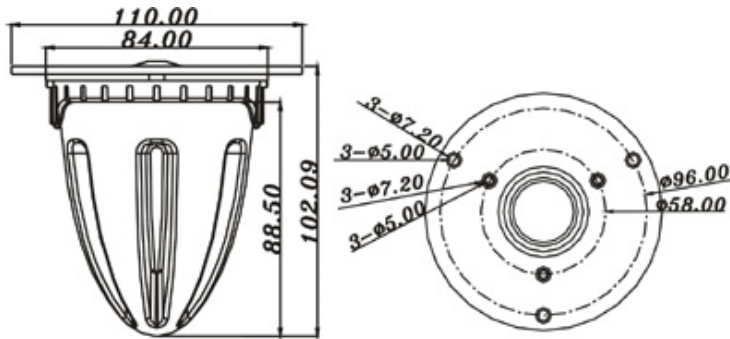


TW<sub>SERIES</sub>

28-1582S



28mm FABRIC DOME

- SOFT FABRIC DOME DIAPHRAGM COATED WITH HIGH LOSS MATERIAL
- FERROFLUID COOLED
- DIE CAST ALUMINIUM FRONT PANEL
- NEODYMIUM DESIGN
- CCAW VOICE COIL
- NON RESONANCE ENGINEERING PLASTIC FOR BACK CHAMBER
- SHORT RING TREATED, LOW 2nd,3rd DISTORTION

DIAPHRAGM MTL	Fabric
SURROUND MTL	N/A
NOMINAL IMPEDANCE	8 W
DCR IMPEDANCE	6 W
SENSITIVITY 1W/1m	94 dB
FREQUENCY RESPONSE	900-20K Hz
FREE AIR RESONANCE	900 Hz
VOICE COIL DIAMETER	28 mm
AIR GAP HEIGHT	3 mm
RATED POWER INPUT	12 W
MAXIMUM POWER INPUT	100 W
FORCE FACTOR, BL	N/A
MAGNET WEIGHT (oz)	Neodymium
MOVING MASS	N/A
FERRO FLUID ENHANCED	Yes
SUSPENSION COMPL.	N/A
EFFEC.PISTON AREA	N/A
Levc	0.008 mH
Zo	15 ohm
X-max	0.2 mm
Vas	N/A
Qts	N/A
Qms	N/A
Qes	N/A



**TB** SPEAKERS

VOICE:886.2.26570282 FAX:886.2.26580166  
E-MAIL :info@tb-speaker.com

**CLOSE**