



you can hear the difference

High performance speakers from HiVi



D1010-IVB

Multimedia Active Speaker

Swan Speakers Inc.
11630 Goldring Road, Arcadia, CA 91006
Tel: +1 626 930 0606 Fax: +1 626 930 0609
www.hivi.com

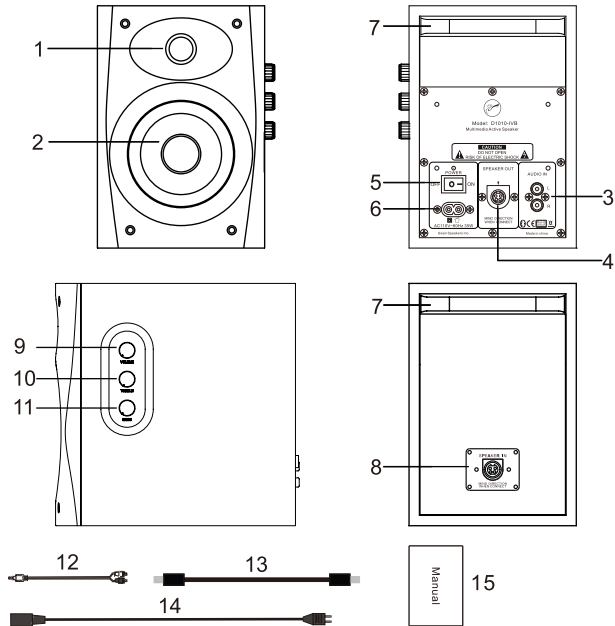
www.hivi.com

I. Unpacking

1. This speaker adopts fine packing material to protect it from damage during shipping. Please check if all accessories are in the box, fill out the warranty card and have your dealer to stamp or sign it. Keep your purchase receipt and warranty certificate for our guarantee service.

- ✔ Active speaker: 1 piece
- ✔ Power cable: 1 piece
- ✔ Passive speaker: 1 piece
- ✔ Manual: 1 piece
- ✔ Connection cable: 1 piece
- ✔ 3.5mm to RCA audio cable: 1 piece

II Figures of speaker functions and electrical parts:



HiVi D1010-IVB Hi-end Speaker System

- b. Exchange the defected connection cable with the normal cables to see if it's the problem for speaker, connection cable or for AV amplifier.
 - c. Please check the cable between active speaker and passive speaker is inserted properly.
4. Noise
- Please disconnect with computer and check the sound source, turn up the volume, if you can't hear any noise 1 meter away, it is working regularly .
5. Protection
- a. Please turn off the power and take out the power cable while not using.
 - b. Never dismantle without professional person.
 - c. Please adjust to proper volume to avoid harming your ear and the speaker.

VIII. Product Brief introduction

D1010-IVB is made of MDF board with low-radiation and high strength. It is able to resist harmful resonance. The port can make the woofer clearer and solidier. It is with electronic active crossover. You can play it by side of TV or displayer without any interference of magnetism.

IX. Figures of speaker functions and electrical parts

Rated Power: 17W*2
Signal-to-Noise: 75dB
Distortion: THD<1%
Input impedance: 28KΩ
Input Sensitivity: 800mV
Tweeter: 20mm tweeter
Woofer: 4" woofer
Size: 154*215*213mm
Weight: Active speaker:3.35kg,
Passive speaker: 2.2kg

X. Maintainace

If the problems still exist if you check as No VII shows, please contact the local dealer for help.

HiVi D1010-IVB Hi-end Speaker System

- | | |
|--------------------------------|---------------------------|
| 1. Tweeter | 10. Treble volume control |
| 2. Woofer | 11. Bass volume control |
| 3. Audio input | 12. 3.5mm -RCA cable |
| 4. Active speaker power output | 13. Audio cable |
| 5. Power switch | 14. Power cable |
| 6. Power plug | 15. Manual |
| 7. Port tube | |
| 8. Passive speaker power input | |
| 9. Volume control | |

III. Speaker placement and listening environment

1. Speaker Placement

Put the main speaker on the right and passive speaker on the left When listening to music. The distance between the two speakers should be over 70cm so that a natural sound field can be achieved. Adjust the angle and distance of the speakers until optimal sound accuracy and imaging are achieved.

In order to get best sound, not only do we recommend using high quality components to match the speakers, but also a good listening environment. The placement and the size of the listening area will influence the sound quality.

2. A few simple suggestions to optimize your listening environment:

Carpet the floor to avoid the sound reflection.

Decorate the wall with cloth or other sound absorbing materials to improve sound quality. Use thick curtain to avoid the sound reflection by glass windows.

IV. Speaker Connections

a. Connecting active speaker with passive speaker:

Insert the end of the speaker connection cable into the SPEAKER OUT place of the active speaker and the SPEAKER IN of the passive speaker. Make sure the pins are fully inserted to avoid loose connection.

b. Connecting with computer:

Insert the RCA connectors of the RCA to 3.5mm cable into the audio input terminals of the active speaker, red to red and white to white. Then insert the 3.5mm stereo jack to the stereo output of your computer.

c. Turn the volume control knob 1/3 of the way up. Turn the treble and bass knobs to the middle position.

d. Connecting the power:

Make sure the power switch is off, plug the power cable into the power outlet.

e. Check the above steps carefully and make sure the connection is correct, then turn on the power switch.

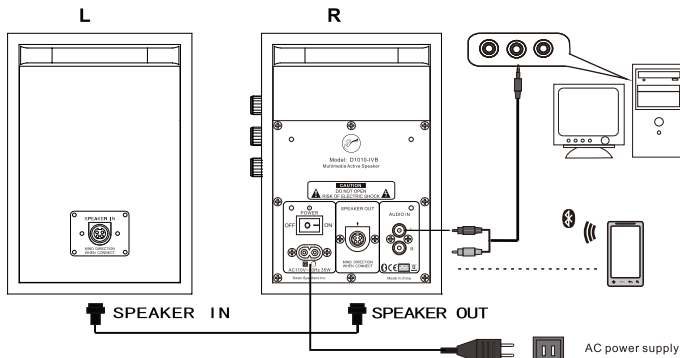
f. Bluetooth connection

When power is on, the bluetooth "Hivi D1010-IVB" is in auto-match mode. The blue light is on when it is successfully matched. It turns red when bluetooth is disconnected.

Notice:

Make sure the power switch is off before you connect the speakers. Make sure the connection is in good condition and check the plug. The audio cable can influence the sound quality. We will suggest you using the original Hivi cable.

2. Connection Diagram



V. Break-in

Break-in refers to the aging period for the speakers to where they perform best acoustically. Upon purchase the speakers are not broken-in. A period ranging from 48-400 hours of usage is recommended before both the amplifier and speaker drivers behave optimally.

VI. Maintenance

The D1010-IVB can be operated under normal conditions without requiring any maintenance. Avoid using any corrosive liquids or gases on the surface of the cabinet or on the speaker drivers. Do not place it in high temperatures, moist conditions, or sunshine for long period of time. For cleaning be sure to use a detergent without any strong chemicals.



Avoid Magnets



Do not touch the drivers with hands



Avoid corrosive liquids and gases



Do not place it in high temperature, humidity and environment with great temperature and humidity change for an extended period of time

VII. Trouble Shooting

1. Problems with sound quality

- Please check and make sure all drivers have sound or not? Is there any problem with the speaker?
- Please check if the connection cables are firmly connected with the OUTPUT of the computer sound card or OUTPUT of the line output.
- Please check if the connection cable is inserted to the right position.

2. No sound at all

- Please check if the power cable is connected well, if the power switch is on.
- Please check if the signal cable between the speaker and the sound source is short-circuited?
- Please check if the sound source is set up properly.

3. Only one speaker has sound

- Please check the balance controls on the sound source and make sure it is set to the middle position.