

# DN07.10LM

Lavoce

## 0,75" COMPRESSION DRIVER

NEODYMIUM MAGNET



- 1 INCH CCAW VOICE COIL
- 109 dB/SPL SENSITIVITY
- 20 W PROGRAM POWER HANDLING
- FEM OPTIMIZED MOTOR, PHASEPLUG AND DIAPHRAGM
- 2000 - 18000 Hz FREQUENCY RANGE
- POLYESTER DIAPHRAGM

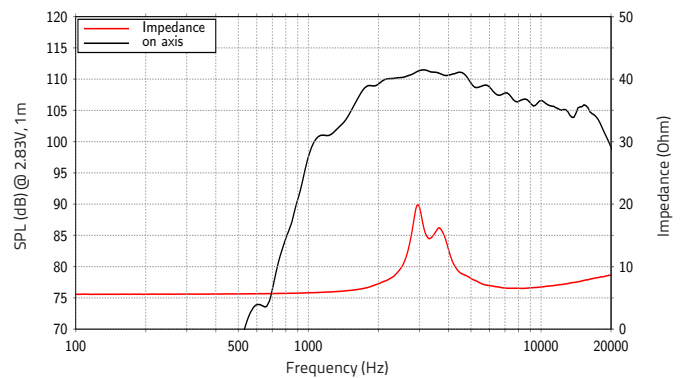
### GENERAL SPECIFICATIONS

Throat diameter	mm (in.)	19 (0,75)
Nominal impedance	$\Omega$	8
Minimum impedance	$\Omega$	6,8
Program power (1)	W	20
AES Power rating (2)	W	10
Sensitivity (3)	dB	109
Frequency range	Hz	2000 ÷ 18000
Voice coil diameter	mm (in.)	25,4 (1)
Magnet material	Neodymium	
Magnet OD	mm (in.)	46 (1.8)
Coil material	CCA W	
Former material	Kapton	
Diaphragm material	Polyester	
Surround material	Polyester	
Voice coil Inductance	mH	0,04
Flux density	T	1,65
Recommended crossover (4)	Hz	2500
Driver displacement volume	l (ft <sup>3</sup> )	0,04 (0.001)

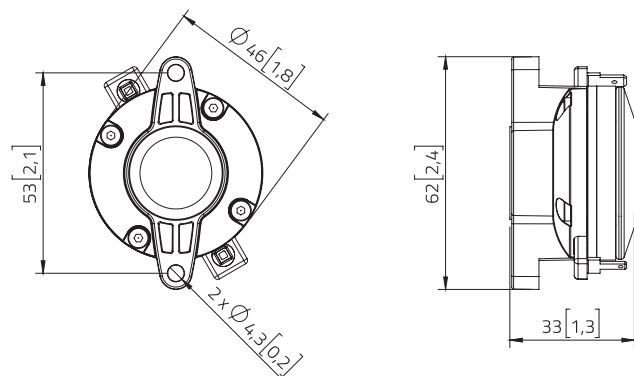
### SHIPPING INFORMATION

Net weight	kg (lb.)	0,15 (0.33)
Multipack size (18)	mm (in.)	252 x 230 x 125 (9.9 x 9 x 4.9)
Multipack weight	kg (lb.)	3,6 (7.9)

### FREQUENCY RESPONSE



### DIMENSIONS mm (in.)



(1) Program power is defined as 3 dB greater than AES Power. (2) Horn loaded test for 2h with continuous, band-limited (2500-20000 Hz, 12dB/oct.) pink noise as per AES 2-1984 Rev. 2003. (3) Measured on axis at 2.83V, 1m, driver loaded with 60° x 40° horn, SPL averaged in the frequency range 2000 ÷ 18000 Hz. (4) High pass filter with slope 12dB/oct. or higher.

All specifications subject to change without notice\_D.a

