

# DF10.14

## 1" COMPRESSION DRIVER

FERRITE MOTOR

Lavoce

Lavoce

Low weight, easy mounting

1" compression driver



### FEATURES

- FEM optimized motor, phaseplug and diaphragm
- 1.4 inch Voicecoil
- 50 Watt Program Power handling
- 107 dB/SPL sensitivity
- Smooth Frequency response

### APPLICATION NOTES

Suitable for 2-way and 3-way systems



Lavoce Italiana  
[www.lavocespeakers.com](http://www.lavocespeakers.com) - [info@lavocespeakers.com](mailto:info@lavocespeakers.com)

International sales dept - Italy T +39 0733 870 840 - M +39 366 893 4784 - F +39 0733 870 880 - [sales@lavocespeakers.com](mailto:sales@lavocespeakers.com)  
Sales office - China T +86 573 8464 7956 ext 8013 - M +86 186 218 179 05 - F +86 573 8464 7963- [sales.cn@lavocespeakers.com](mailto:sales.cn@lavocespeakers.com)

# DF10.14

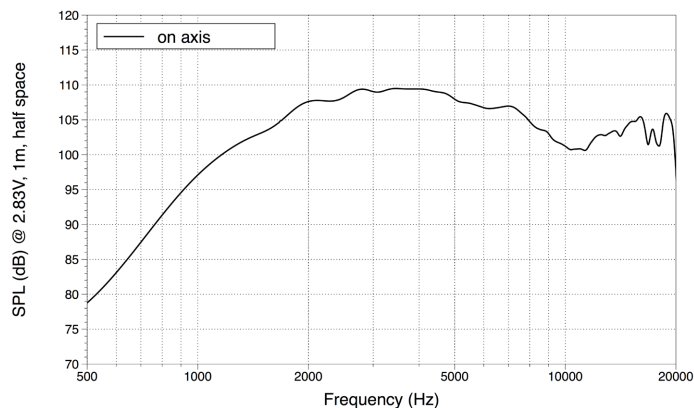
## 1" COMPRESSION DRIVER

FERRITE MOTOR

Lavoce

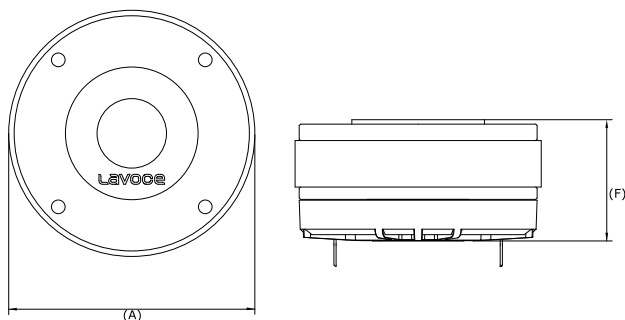
### GENERAL SPECIFICATIONS

Throat diameter	mm (in.)	25,4 (1)
Nominal impedance	$\Omega$	8
Minimum impedance	$\Omega$	7,8
Program power (2)	W	50
AES power above 2.5 kHz (12dB/oct) (3)	W	25
Sensitivity (4)	dB	107
Frequency range	Hz	1500 ÷ 18000
Voice coil diameter	mm (in.)	36 (1.4)
Magnet material	Ferrite	
Coil material	CCAW flat wire	
Former material	Polyimide	
Diaphragm and Surround material	Polymeric	
Ferrofluid	NO	



### MOUNTING INFORMATION

Mounting holes	Four M5 holes at 90° on 76 mm (2.99 in) diameter	
Overall diameter (A)	mm (in.)	90 (3.54)
Overall depth (F)	mm (in.)	44,5 (1.75)
Net weight	Kg (lb)	0,97 (2.14)
Volume occupied by the driver	l (ft3)	0,27 (0.009)



- 1 - Driver mounted on 90° x 60° horn
- 2 - Program power is defined as 3 dB greater than AES Power
- 3 - Tested for two hours using a continuous, band-limited pink noise signal as per AES 2-1984 Rev. 2003
- 4 - Measured on axis at 2.83V, 1m, halfspace, average SPL in the frequency range

Lavoce Italiana  
[www.lavocespeakers.com](http://www.lavocespeakers.com) - [info@lavocespeakers.com](mailto:info@lavocespeakers.com)

International sales dept - Italy T +39 0733 870 840 - M +39 366 893 4784 - F +39 0733 870 880 - [sales@lavocespeakers.com](mailto:sales@lavocespeakers.com)  
 Sales office - China T +86 573 8464 7956 ext 8013 - M +86 186 218 179 05 - F +86 573 8464 7963- [sales.cn@lavocespeakers.com](mailto:sales.cn@lavocespeakers.com)