

DF20.30T

Lavoce

2" COMPRESSION DRIVER

FERRITE MAGNET



- 3 INCH EDGEWOUND CCA VOICE COIL
- 107.5 dB/SPL SENSITIVITY
- 220 W PROGRAM POWER HANDLING
- FEM OPTIMIZED MOTOR, PHASEPLUG AND DIAPHRAGM
- 500 - 18000 Hz FREQUENCY RANGE
- TITANIUM DIAPHRAGM

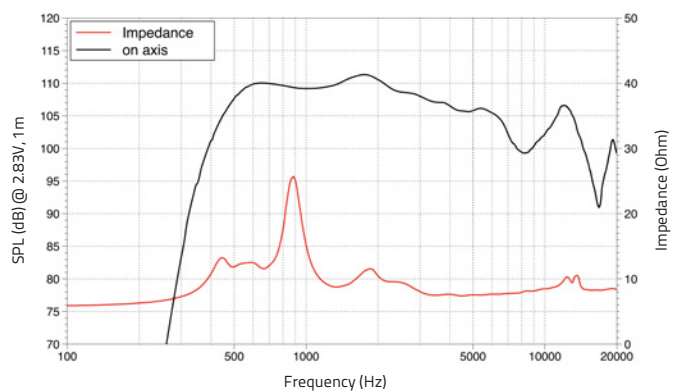
GENERAL SPECIFICATIONS

Throat diameter	mm (in.)	50 (2)
Nominal impedance	Ω	8
Minimum impedance	Ω	7,6
Program power (1)	W	220
AES Power rating (2)	W	110
Sensitivity (3)	dB	107.5
Frequency range	Hz	500 ÷ 18000
Voice coil diameter	mm (in.)	75 (3)
Magnet material	Ferrite	
Magnet OD	mm (in.)	165 (6.5)
Coil material	Edgewound CCA	
Former material	Kapton	
Diaphragm material	Titanium	
Surround material	Titanium	
Voice coil Inductance	mH	0,1
Flux density	T	1,75
Recommended crossover (4)	Hz	1000
Driver displacement volume	l (ft ³)	0,75 (0.026)

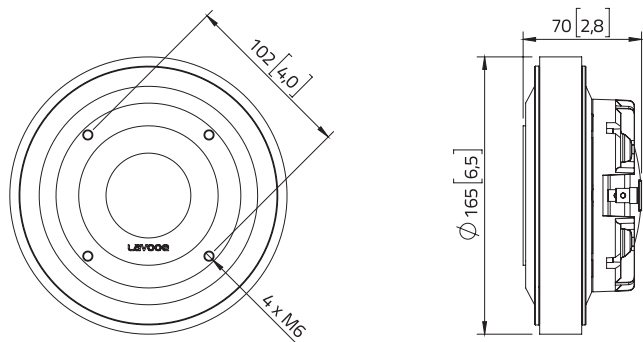
SHIPPING INFORMATION

Net weight	kg (lb.)	4,1 (9)
Multipack size (4)	mm (in.)	450 x 423 x 147 (17.7 x 16.6 x 5.8)
Multipack weight	kg (lb.)	18,6 (41)

FREQUENCY RESPONSE



DIMENSIONS mm (in.)



(1) Program power is defined as 3 dB greater than AES Power. (2) Horn loaded test for 2h with continuous, band-limited (1000-20000 Hz, 12dB/oct.) pink noise as per AES 2-1984 Rev. 2003. (3) Measured on axis at 2.83V, 1m, driver loaded with 90° x 40° horn, SPL averaged in the frequency range 500 ÷ 18000 Hz. (4) High pass filter with slope 12dB/oct. or higher.

All specifications subject to change without notice_B.a

WWW.LAVOCESPEAKERS.COM



Lavoce Italiana

sales@lavocespeakers.com sales.cn@lavocespeakers.com