

## Versatile Range of System Plans

Ever since we were first established, Esoteric's philosophy has centered on modular audio systems, breaking audio down into separate devices and refining each one to achieve maximum audio quality. The N-03T network audio transport system can be combined with Esoteric's range of D/A converters (D series) and Super Audio CD players (K series) to build your system just the way you want it.



System Plan 1 N-03T/P-02X/D-02X/G-02X



System Plan 2 N-03T/D-02X/G-02X



System Plan 3 N-03T/K-03Xs

System Plan 4 N-03T/D-05X

\* The arrangements in these photos are for illustrative purposes only. In actual use, avoid stacking components. Mount them individually in an equipment rack.



## Specifications

### Network section

Supported file formats	
PCM lossless	FLAC, Apple Lossless(ALAC), WAV, AIFF
DSD lossless	DSF, DSDIFF(DFI), DoP
Compressed audio	MP3, AAC (m4a container)
ETHERNET port	1(1000BASE-T)
USB DRIVE ports	2 (USB 2.0 or higher recommended)
Supported file formats	
FAT32, NTFS Single partition	
Maximum current supply	0.5A
Supported sampling frequencies	
PCM	44.1 - 768kHz, 16/24/32 bit
DSD	2.8MHz, 5.6MHz, 11.2MHz, 22.5MHz

### Digital outputs

USB port (USB 2.0 standard)	1
XLR connector	1
Output level	3Vp-p(into 110Ω)
RCA connector	1
Output level	0.5Vp-p(into 75Ω)
*The following are the maximum limits for output from the XLR and RCA connectors.	
PCM	44.1 - 192kHz, 16/24 bit
DSD	2.8MHz (DoP)

### Clock input

BNC connector	1
Input impedance	50Ω
Frequencies that can be input	10MHz(±10ppm)
Input level	
Rectangle wave: equivalent to TTL levels	
Sine wave: 0.5 to 1.0 Vrms	

### General

Power supply	AC 220-240V, 50/60Hz AC 120V, 60Hz / AC 220V, 60Hz
Power consumption	31W
External dimensions (W×H×D, including protrusions)	445mm×131mm×360mm(17 5/8×5 1/4×14 1/4")
Weight	17kg (37 1/2 lb)

### Included accessories

Power cord×1, Felt pads×3, Owner's manual×1, Warranty card×1

### Maximum sampling rate / bit rate

Connection Models / Format	USB		XLR/RCA	
	DSD(MHz)	PCM(kHz/bit)	DSD(MHz)	PCM(kHz/bit)
Grandioso D1X	22.5	768/32	2.8	192/24
Grandioso K1X	22.5	768/32	2.8	192/24
D-02X	11.2	384/32	2.8	192/24
D-05X	22.5	768/32	2.8	192/24
K-01Xs	22.5	768/32	2.8	192/24
K-01X + VUK-K01Xs	22.5	768/32	2.8	192/24
K-03Xs	22.5	768/32	2.8	192/24
K-03X + VUK-K03Xs	22.5	768/32	2.8	192/24
K-05Xs	22.5	768/32	2.8	192/24
K-07Xs	22.5	768/32	2.8	192/24
OP-DAC1	11.2	384/32	-	192/24

- For USB connection, the N-03T automatically down-convert signal to the maximum Fs which connected device can playback.
- For XLR/RCA connection, PCM 384/352.8kHz data will be down-converted to 192/176.4kHz. DSD 5.6MHz signal output can be down-converted to 2.8MHz (DoP) or PCM88.2kHz signal.
- \*The N-03T cannot down-convert DSD22.5/11.2MHz and PCM768/705.6kHz music files.

# ESOTERIC

# Network Audio Transport N-03T



PROUDLY MADE IN TOKYO

# ESOTERIC

ESOTERIC COMPANY

1-47 Ochiai, Tama-shi, Tokyo 206-8530, Japan  
www.esoteric.jp

Please note that Esoteric products are only available at select distributors in respective countries.  
"Esoteric" is a trademark of TEAC Corporation, registered in the U.S. and other countries.  
©2019 TEAC Corporation. All Rights Reserved. All text, images, graphics and other materials in this catalogue are subject to the copyright and other intellectual property rights of TEAC Corporation. These materials shall not directly or indirectly be published, reproduced, modified or distributed in any medium.  
"Super Audio CD" and "DSD" are registered trademarks. IOS is a trademark or registered trademark of Cisco in the U.S. and other countries and is used under license.  
Apple, iPhone and iPad are trademarks of Apple Inc., registered in the U.S. and other countries.  
Bulk Pet is a registered trademark of Interface Co., Ltd. Google and Android are trademarks of Google LLC.  
Other company names and product names in this document are the trademarks or registered trademarks of their respective owners.  
Design and specifications are subject to change without notice.

IASJ  
International Audio Society of JAPAN

PRINTED IN JAPAN 1119WEB•TECD-0266A

Massive, super high quality modular systems are the key philosophy that Esoteric has followed since we were first established.

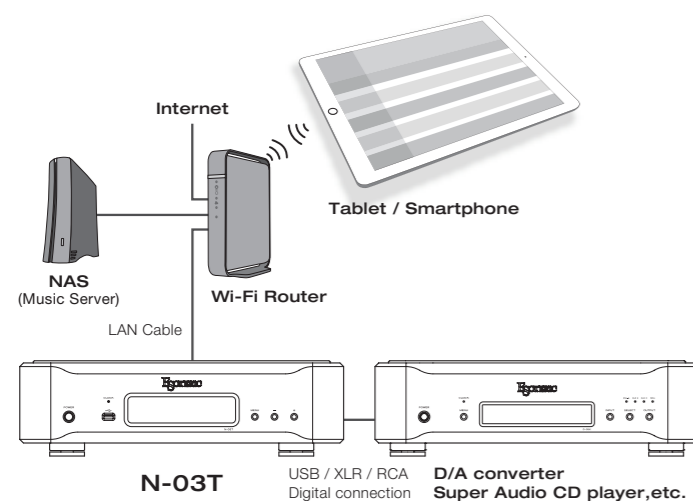
We are now bringing this same philosophy to network playback systems with the N-03T network digital audio transport system.

Your favorite D/A converter or Super Audio CD player can be digitally connected by USB, enabling you to build just the right system to enjoy playing files or streaming content your way.

Esoteric takes digital transport to a new level with endless options and even more possibilities for audio playback.

### Network Audio

The N-03T fulfills every music lover's dream: to access music freely from your living room chair and enjoy the very best audio quality. The DSD master audio source provides a crystal-clear audio experience, your CD collection is arranged in a library for easy access, and streaming services put new music at your fingertips. The N-03T is a network audio transport system specially designed to connect with an external DAC or a Super Audio CD player's built-in DAC via USB connection. Other than your audio system, all you need is a home LAN (Wi-Fi router, etc.), a tablet or smartphone and a NAS (music server) to store your music library. That's all you need for an easy, comfortable music experience where you don't have to compromise on quality.



### Compatible with a Wide Range of Audio Sources

Care has been taken with every detail to achieve audio quality suitable for high-end network playback. The N-03T is compatible with a vast range of formats (DSF, DSDIFF, FLAC, Apple Lossless, WAV, AIFF, MP3 and AAC) and supports playback up to DSD 22.5MHz and PCM 768kHz/32-bit by USB output. Gapless playback is also supported for all lossless formats for uninterrupted playback of live or opera recordings.

### Esoteric Sound Stream



Esoteric Sound Stream is an Apple iOS / Google Android network playback app for tablets and smartphones designed with an emphasis on intuitive operability. Simply select music tracks by using your tablet or smartphone to create a customized playlist and then play the playlist. All screens are intuitively designed for easy operation and access to playlists and libraries, making it easy for anyone to use. It also has a wide range of advanced features that meet the demands of even the most experienced users.

A key feature is the excellent search and retrieval function that fully utilizes tag information. Images are also stored in the app, enabling you to instantly scroll through album artwork and libraries according to categories such as artist, year of recording,



composer or category.

### High-Sampling Digital Output

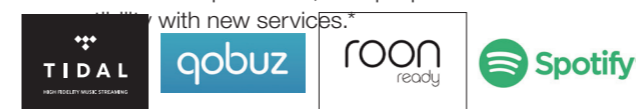
The N-03T has a USB port enabling digital output up to DSD 22.5MHz and PCM 768kHz/32-bit. This allows the N-03T to be connected to a USB DAC or a disc player with a USB port. Two other digital output systems (XLRx1 and RCAX1) are also included, supporting PCM up to 192kHz/24-bit and DSD2.8MHz (DoP).

### Music Server Function

The N-03T can also be used as a simplified music server in which a player and a library can be integrated by connecting large-capacity storage devices to two USB ports on the front and rear of the unit.

### Compatible with a Wide Range of Streaming Services and Audio Codecs

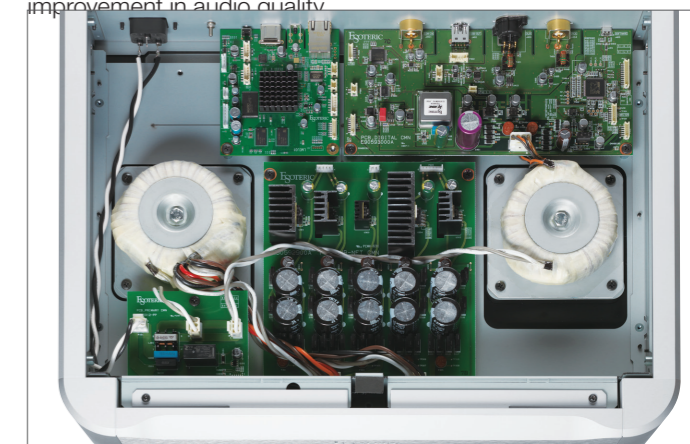
Esoteric has partnerships with a wide range of streaming service and audio codec providers, and preparations are underway for



\*Information on newly supported services will be released on the Esoteric website. However, regional restrictions may be implemented on some services.

### Equipped with Two Powerful Independent Power Supplies

The N-03T is equipped with two large independent toroidal transformers, one for the internal network module and one for the other digital circuits, enabling the ideal supply of power to each circuit block. Unlike a standard switching power supply, these large linear power supplies are made with high quality components such as large filter capacitors and Schottky barrier diodes. The dedicated power supply for the network module also has an EDLC (Electric Double-layer Capacitor), a super-capacitor that has 1F (1,000,000µF) capacitance. These provide a dramatic improvement in audio quality.



### High-Rigidity Chassis Construction

The bottom chassis used to secure the circuit components has a dual layer structure with two steel plates (5mm and 2mm). The power supply transformer and other components are arranged three-dimensionally on the two layers to prevent interference between components, and laser-cut slits are applied to each layer for effective controlling of vibration. And a thick, heavyweight aluminum panel enclosure and Esoteric's unique pinpoint feet (patents no. JP4075477 and JP3778108) provide thorough mechanical grounding against vibration.