



PR 48



PR 48

The Heil PR 48 is a very serious kick drum microphone for any style drummer and for any music genre. From light jazz to pop, rock, country or metal...you name it, when the kick drum sounds better, the drums add more to the music. Generally speaking, drums are the foundation any song builds upon. Furthermore, the foundation of drums is the kick drum. The PR 48 kick drum mic will dramatically improve the sound of your next performance and/or recording – that's our promise to you.

You would expect a world-class, large diaphragm drum microphone to be able to withstand 148 dB SPL and the PR 48 delivers on that expectation. When you add a frequency range of 30 Hz to 8.5 kHz, housed in a vulcanized rubber isolation mount, you have the makings of a pure champion kick drum mic.

Bob Heil dug deep into kick drum acoustic fundamentals during a two year field study, and built the PR 48 to accurately portray the kick drum's entire sound, not just make it louder. As with all our other drum mics, Heil Sound worked closely with the best in the business to ensure that the PR 48 would live up to the demands of the most discerning drummers, technicians and FOH engineers.

Whether your application is for recording or live performance, the Heil PR 48 will outperform any other kick drum mic in studios, clubs, halls, theaters, arenas and outdoor stadiums – with minimum to no EQ necessary!

The Heil PR 48 includes a built-in low pass filter that creates a +10 dB rise from 50 to 100 Hz, and a +4 dB rise from 3.5 to 5 K to pick up the beater and round out the sonic shape. By incorporating a drastic drop-off after 8.5 K, any unwanted internal and ringing sounds are eliminated. The net result is the most natural, best sounding, kick drum mic ever.

Finally, a -40 dB of rear rejection noise will assure you can place this mic where it needs to be placed, without fear of feedback or picking up extraneous sounds.

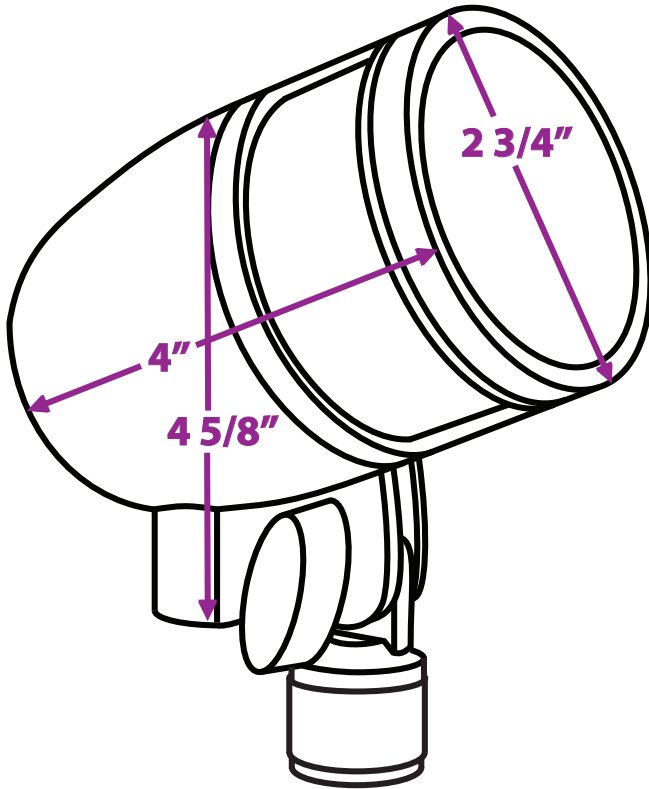
The PR 48, like all Heil microphones, is assembled and quality-tested in the USA.

Consider adding other Heil microphones to continue building a world class microphone assortment and check out the Drum Microphone kits, (HDK-5, HDK-7 and HDK-8), each having an assortment of Heil microphones specifically designed to improve the sound of your drum kit, including the PR 48.

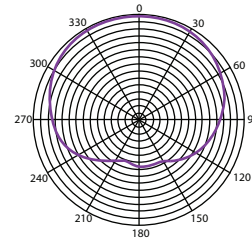
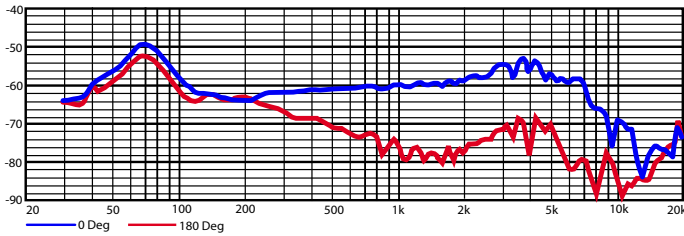
Listen To Your Ears...The difference is Heil PR 48

Output Connection	3 pin XLR
Element Type	Dynamic
Frequency Response	30 Hz - 8.5 kHz
Polar Pattern	Cardioid
Rear Rejection @ 180° off axis	-40 dB
Impedance	600 ohms balanced
Output Level	-59 dB @ 1 kHz
Weight	20.33 oz.
Max SPL	148 dB

PR 48



**Heil Sound
Suggested
Accessories**



Thanks from the Heil Sound gang in Fairview Heights, IL.
Working hard to earn your respect.

All in and out of warranty items returned must be accompanied by a completed repair form, which can be found at <http://heilsound.com/pro/repairs>
Heil Sound, Ltd. warrants these products to the original purchaser for a period of three years parts and 90 days labor from the date of purchase. It does not cover accidental or intentional damage. Heil Sound, Ltd. is not responsible for loss, damage or expenses that arise from the use or the inability to use this product.

Heil Sound, Ltd.
5800 North Illinois Fairview Heights, IL 62208
618.257.3000 (phone) 618.257.3001 (fax)
info@heilsound.com



www.heilsound.com