

TT 1-A II

ACTIVE TWO-WAY SPEAKER

DESCRIPTION

The TT 1-A provides an extremely high-power output of 131 dB SPL max with low distortion in a vented two-way enclosure. The two-channel, class D power amplifier yields a total power output of 800 W RMS with FiRPHASE 0° linear phase DSP processing, a complete set of protection circuitry and onboard RDNet for remote control and monitoring. The speaker features a neodymium 10" woofer and a 3,0" voice coil, titanium dome compression driver on a large, 90° x 60° constant directivity horn.



FEATURES

- 131 dB max SPL
- 800 W Class-D two-channel amplifier
- 90° x 60° constant directivity coverage
- FiRPHASE for 0° phase response
- Heavy-duty touring cabinet
- 32 bit - 96 kHz processing

TECHNICAL SPECIFICATIONS

Acoustical specifications	Frequency Response:	55 Hz ÷ 20000 Hz
	Max SPL @ 1m:	131 dB
	Horizontal coverage angle:	90°
	Vertical coverage angle:	60°
Transducers	Compression Driver:	1 x 1.4" neo, 3.0" v.c
	Woofers:	10" neo, 3.0" v.c
Input/Output section	Input signal:	bal/unbal
	Input connectors:	XLR
	Output connectors:	XLR
	Input sensitivity:	+4 dBu
Processor section	Crossover Frequencies:	900 Hz
	Protections:	Thermal, RMS
	Limiter:	Soft Limiter
	Controls:	Gain reduction, RDNet local setup/bypass, time delay, Presets (linear, close, far listening, High - Pass), RDNet on board
	RDNet:	Yes
Power section	Total Power:	1600 W Peak, 800 W RMS
	High frequencies:	500 W Peak, 250 W RMS
	Low frequencies:	1100 W Peak, 550 W RMS
	Cooling:	Convection
	Connections:	Powercon IN/OUT
Standard compliance	CE marking:	Yes
Physical specifications	Cabinet/Case Material:	Baltic birch plywood
	Hardware:	Installation/Rental fittings
	Handles:	2 side
	Pole mount/Cap:	Yes
	Grille:	Steel
	Color:	Black
Size	Height:	566 mm / 22.28 inches
	Width:	333 mm / 13.11 inches
	Depth:	370 mm / 14.57 inches
	Weight:	25.4 kg / 56 lbs
Shipping informations	Package Height:	690 mm / 27.17 inches
	Package Width:	480 mm / 18.9 inches
	Package Depth:	430 mm / 16.93 inches
	Package Weight:	28 kg / 61.73 lbs



PART NUMBER

- **13000627**

TT 1-A II

115V

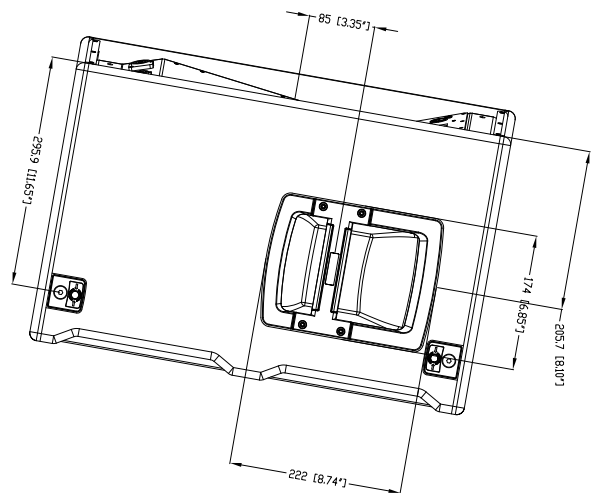
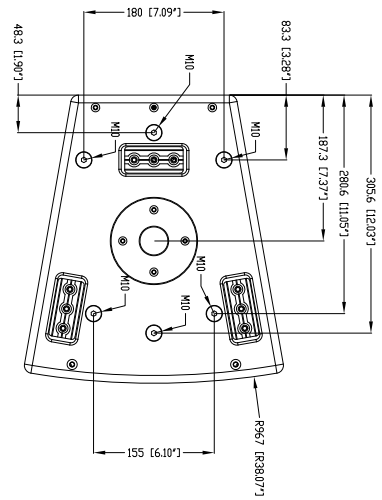
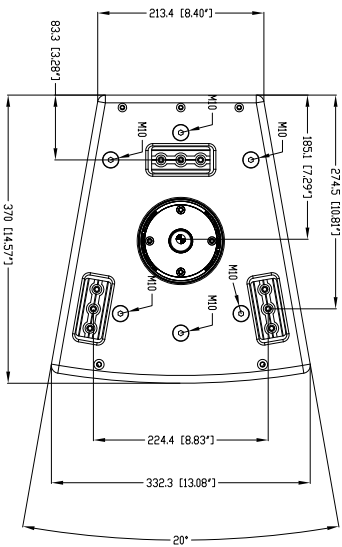
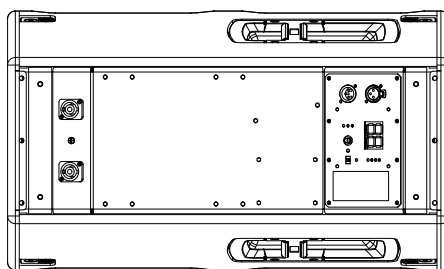
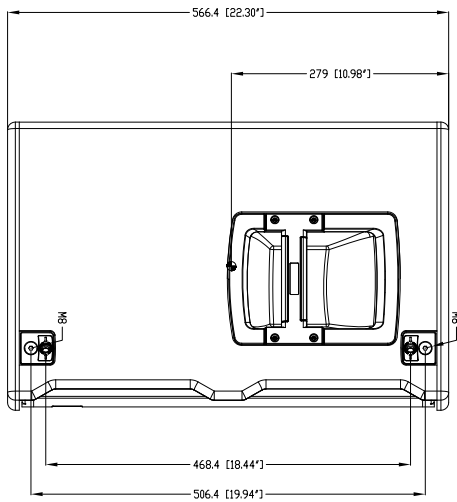
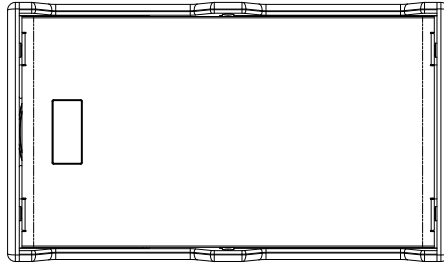
EAN 8024530018023

- **13000624**

TT 1-A II

220-240V

EAN 8024530018016



TT1-A

ACCESSORIES

AC PMA - POLE MOUNT

PART NUMBER **13360034**
EAN: 8024530007713

AC PM-M20

PART NUMBER **13360067**
EAN: 8024530014599

AC PMX POLE MOUNT M20

PART NUMBER **13360232**
EAN: 8024530010058

AC PRO-FS PROFESS. LOCKING FLOOR STAND

PART NUMBER **13360109**
EAN: 8024530006471

AC PRO-PM PROFESS. LOCKING POLE MOUNT

PART NUMBER **13360110**
EAN: 8024530006488

DOUBLE STUD 4X

PART NUMBER **13360030**
EAN:

KIT EYEBOLT 4 X

PART NUMBER **13360031**
EAN: