

# TT 08-A II

## ACTIVE TWO-WAY HIGH DEFINITION SPEAKER

### DESCRIPTION

The RCF TT08-A II is by far the smallest member of the TT+ family, whilst being the most flexible and powerful tool in its class. Perfect for live sound to playback and monitoring, corporate events and broadcast studios. Though remarkably compact and lightweight, the TT 08-A II offers an incredible maximum sound pressure level of 128 dB. Its performance efficiency is higher than many larger 10" speaker systems.



### FEATURES

- 128 dB SPL Max
- 1000W RMS, two-way Class-D amplifier
- Rotatable 90° x 70° constant directivity horn
- Quick Fit Bracket Socket
- FiRPHASE
- 8" neodymium Woofers, 2.5" voice coil
- Horn-loaded 1" neo comp. driver, 1,75" voice coil
- RDNet Networked Management
- 60 ÷ 20000 Hz Frequency Range

## TECHNICAL SPECIFICATIONS

<b>Acoustical specifications</b>	Frequency Response:	65 Hz ÷ 20000 Hz
	Max SPL @ 1m:	128 dB
	Horizontal coverage angle:	90°
	Vertical coverage angle:	70°
<b>Transducers</b>	Compression Driver:	1 x 1.0" neo, 1.75" v.c
	Woofers:	8" neo, 2.5" v.c
<b>Input/Output section</b>	Input signal:	bal/unbal
	Input connectors:	XLR, RDNet Ethercon
	Output connectors:	XLR, RDNet Ethercon
	Input sensitivity:	-2 dBu/+4 dBu
<b>Processor section</b>	Crossover Frequencies:	900 HZ
	Protections:	Thermal, HF
	Limiter:	Fast Limiter
	Controls:	Bypass, Linear/High Pass, Volume, RDnet on board
	RDNet:	Yes
<b>Power section</b>	Total Power:	2000 W Peak, 1000 W RMS
	High frequencies:	600 W Peak, 300 W RMS
	Low frequencies:	1400 W Peak, 700 W RMS
	Cooling:	Convection
	Connections:	Powercon IN/OUT
<b>Standard compliance</b>	CE marking:	Yes
<b>Physical specifications</b>	Cabinet/Case Material:	Baltic birch plywood
	Hardware:	3X M10 TOP AND BOTTOM 2X PIN D.10 AND M10 SIDE
	Handles:	1 TOP
	Grille:	Steel
	Color:	Black
<b>Size</b>	Height:	450 mm / 17.72 inches
	Width:	270 mm / 10.63 inches
	Depth:	278 mm / 10.94 inches
	Weight:	11 kg / 24.25 lbs
<b>Shipping informations</b>	Package Height:	500 mm / 19.69 inches
	Package Width:	330 mm / 12.99 inches
	Package Depth:	320 mm / 12.6 inches
	Package Weight:	12.7 kg / 28 lbs



**PART NUMBER**

- **13000558**

TT 08-A II

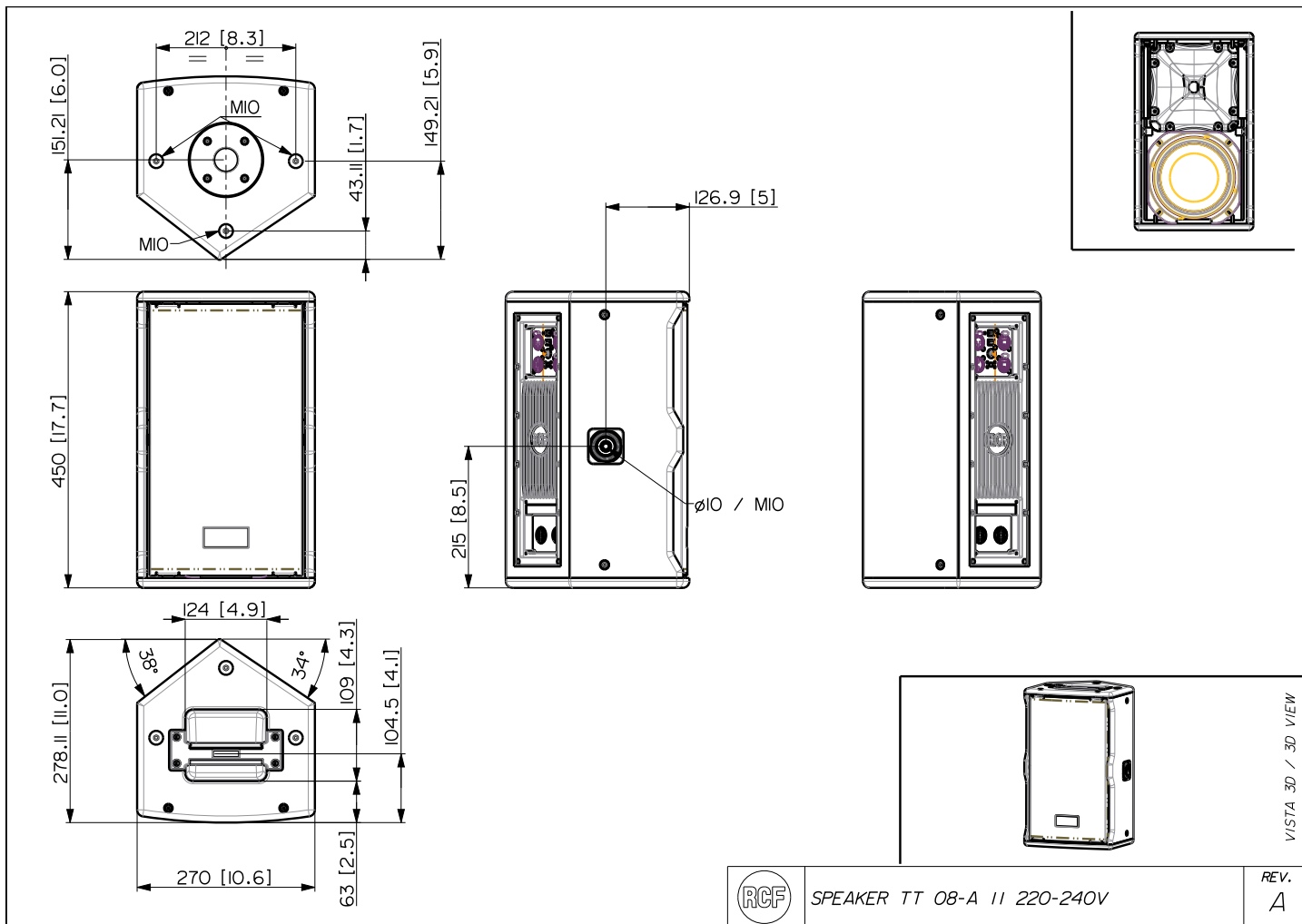
115V

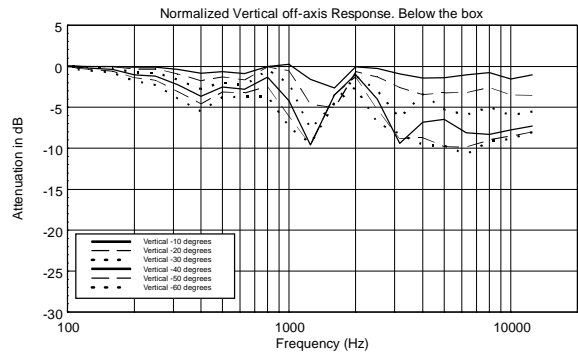
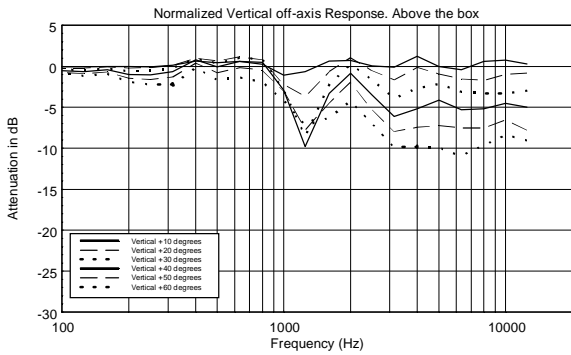
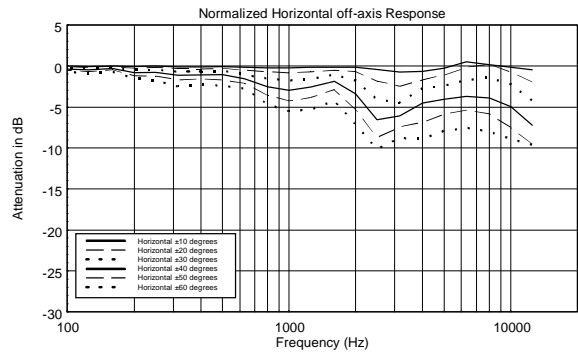
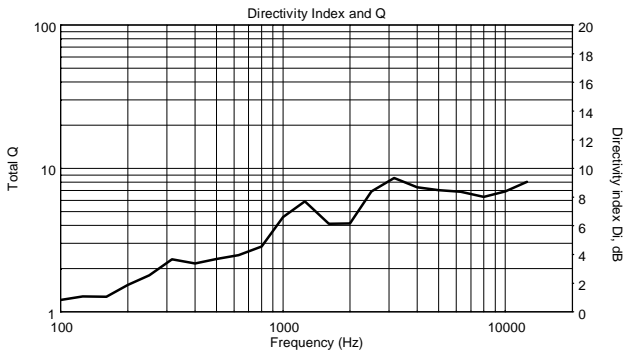
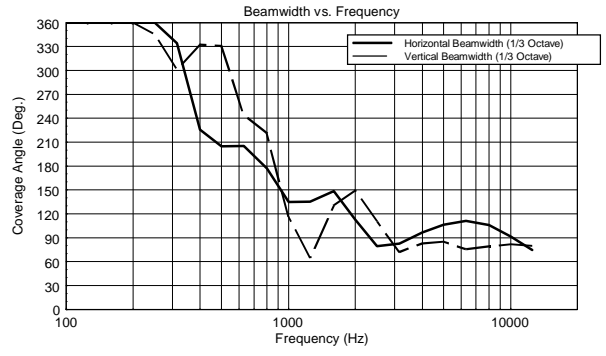
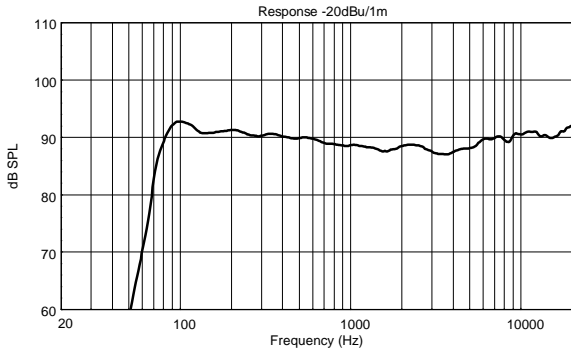
- **13000547**

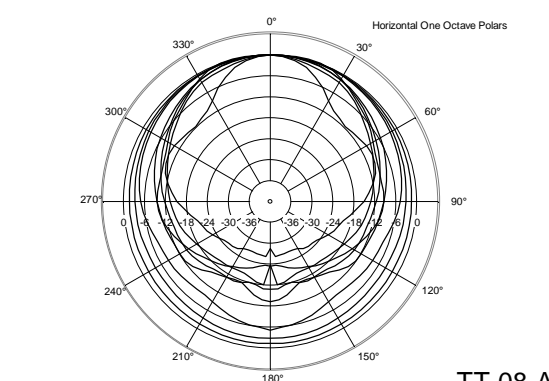
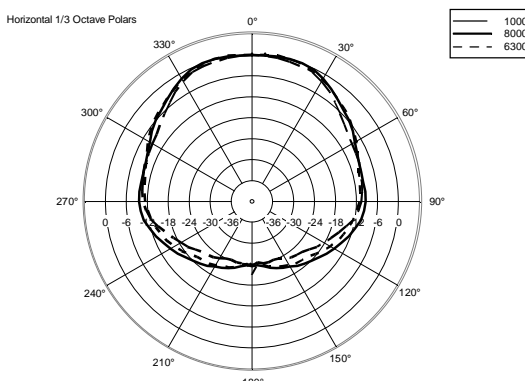
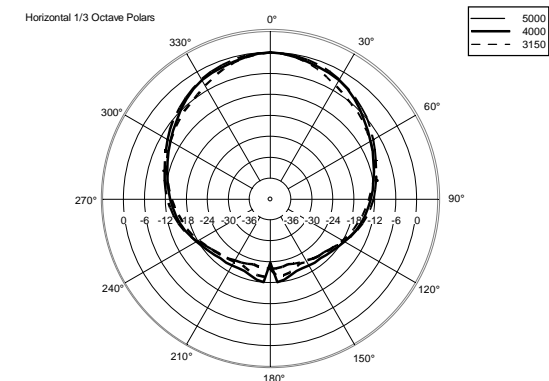
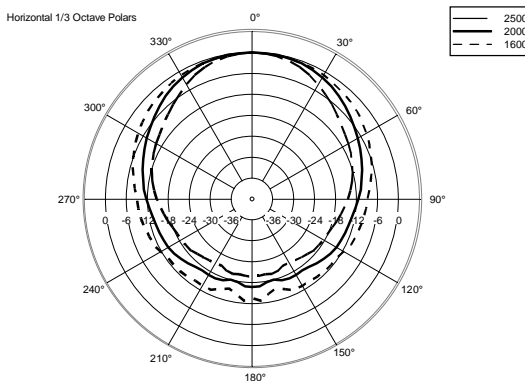
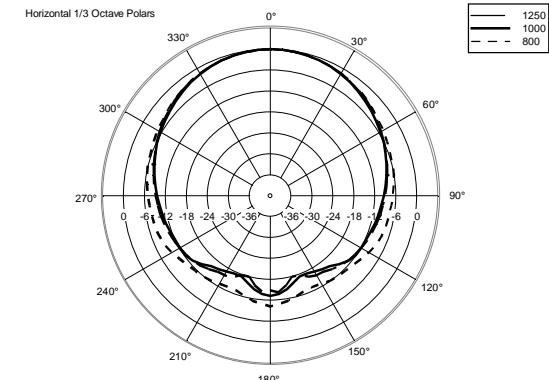
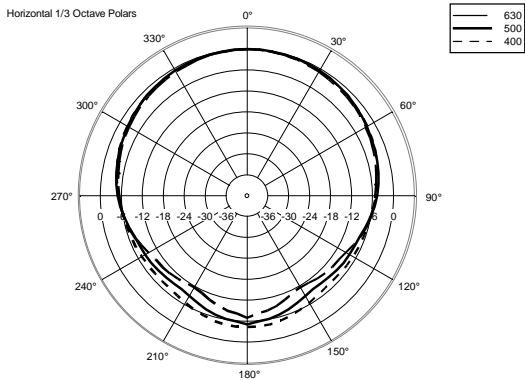
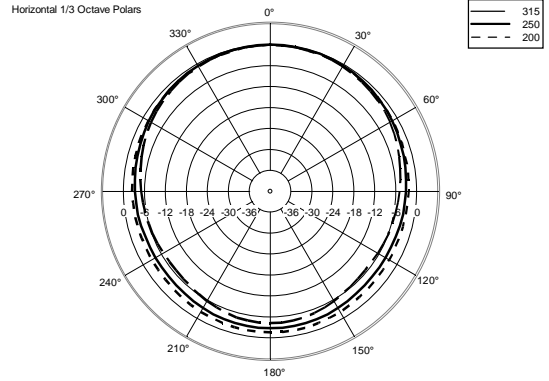
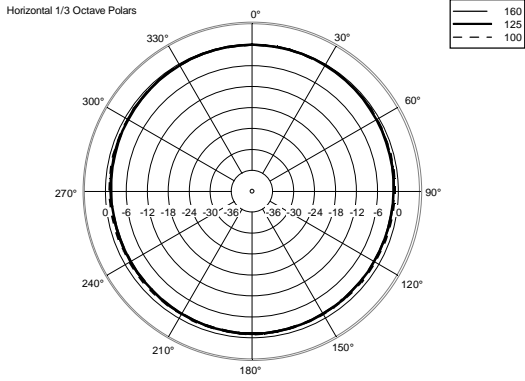
TT 08-A II

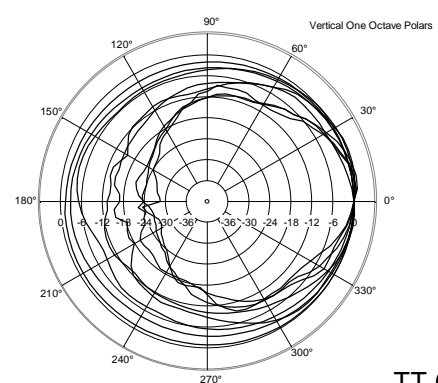
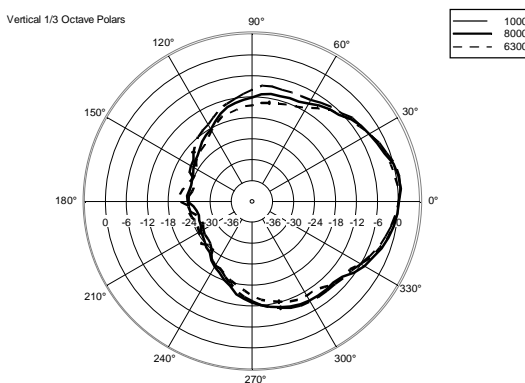
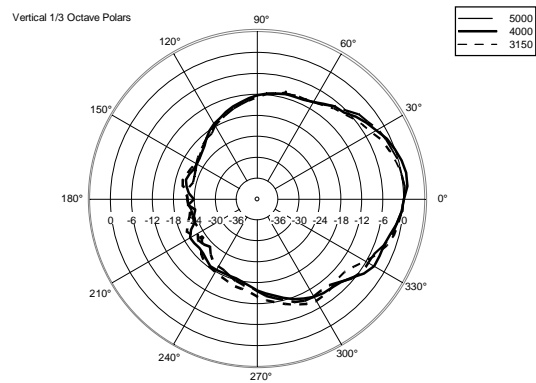
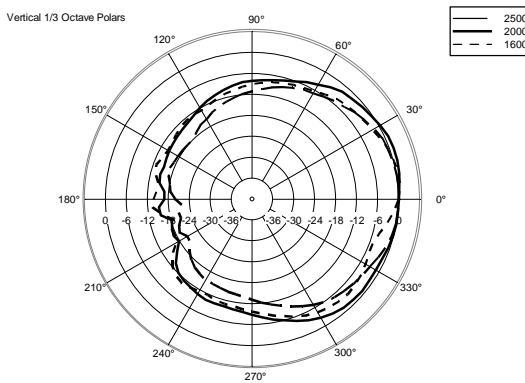
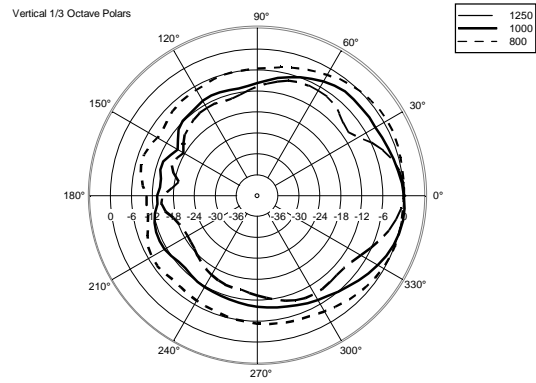
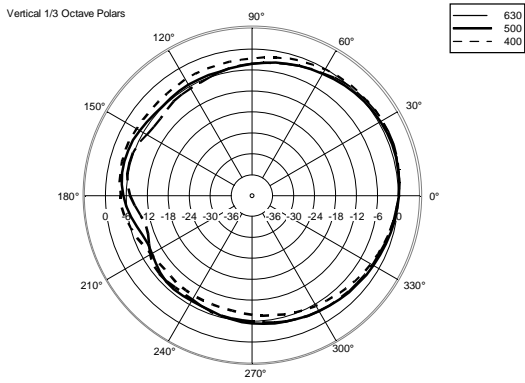
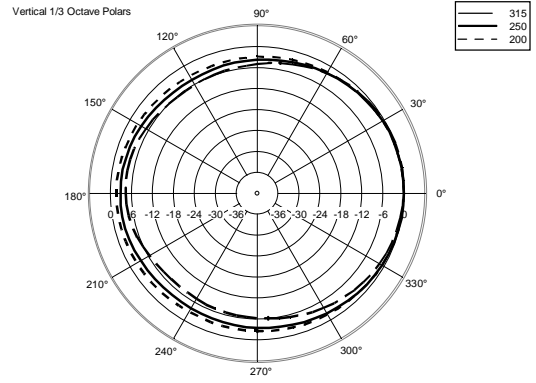
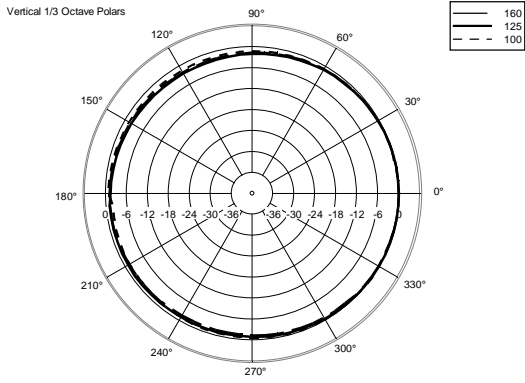
220-240V

EAN 8024530017118


















**ACCESSORIES**

	AC PMA - POLE MOUNT	PART NUMBER EAN:	<b>13360034</b> 8024530007713
	AC PM-M20	PART NUMBER EAN:	<b>13360067</b> 8024530014599
	AC PMX POLE MOUNT M20	PART NUMBER EAN:	<b>13360232</b> 8024530010058
	AC PRO-FS PROFESS. LOCKING FLOOR STAND	PART NUMBER EAN:	<b>13360109</b> 8024530006471
	AC PRO-PM PROFESS. LOCKING POLE MOUNT	PART NUMBER EAN:	<b>13360110</b> 8024530006488
	COVER CVR TT 08 II	PART NUMBER EAN:	<b>13360403</b> 8024530016326
	HORIZONTAL BRACKET H-BR TT 08 II	PART NUMBER EAN:	<b>13360399</b> 8024530016289
	KIT EYEBOLT 4 X	PART NUMBER EAN:	<b>13360031</b> 
	RAIN PROTECTION RP 1X HDL 6	PART NUMBER EAN:	<b>13360381</b> 8024530015169





VERTICAL BRACKET V-BR TT 08 II

PART NUMBER **13360400**  
EAN: 8024530016296

---