



TT 515-A

PROFESSIONAL ACTIVE SPEAKER

ENGLISH

1	SAFETY PRECAUTIONS AND GENERAL INFORMATION	4
2	DESCRIPTION	6
3	REAR PANEL FEATURES AND CONTROLS	7
4	ROTATION OF THE HORN	8
5	CONNECTIONS	9
6	INSTALLATION - FLOOR CONFIGURATIONS	10
7	INSTALLATION - SUSPENDED CONFIGURATIONS	11
8	INSTALLATION - WARNINGS.....	12
9	RAIN PROTECTION	13
10	TROUBLESHOOTING	14

ITALIANO






1	AVVERTENZE PER LA SICUREZZA E INFORMAZIONI GENERALI.....	16
2	DESCRIZIONE	18
3	PANNELLO POSTERIORE - FUNZIONI E CONTROLLI	19
4	ROTAZIONE DELLA TROMBA.....	20
5	CONNESSIONI	21
6	INSTALLAZIONE - CONFIGURAZIONI A TERRA.....	22
7	INSTALLAZIONE - CONFIGURAZIONI IN SOSPENSIONE.....	23
8	INSTALLAZIONE - AVVERTENZE	24
9	PROTEZIONE PIOGGIA	25
10	RISOLUZIONE DEI PROBLEMI	26

DIMENSIONS / DIMENSIONI	28
-------------------------------	----

SPECIFICATIONS / SPECIFICHE	29
-----------------------------------	----

1. SAFETY PRECAUTIONS AND GENERAL INFORMATION

The symbols used in this document give notice of important operating instructions and warnings which must be strictly followed.

	CAUTION	Important operating instructions: explains hazards that could damage a product, including data loss
	WARNING	Important advice concerning the use of dangerous voltages and the potential risk of electric shock, personal injury or death.
	IMPORTANT NOTES	Helpful and relevant information about the topic
	SUPPORTS, TROLLEYS AND CARTS	Information about the use of supports, trolleys and carts. Reminds to move with extreme caution and never tilt.
	WASTE DISPOSAL	This symbol indicates that this product should not be disposed with your household waste, according to the WEEE directive (2012/19/EU) and your national law.

IMPORTANT NOTES

This manual contains important information about the correct and safe use of the device. Before connecting and using this product, please read this instruction manual carefully and keep it on hand for future reference. The manual is to be considered an integral part of this product and must accompany it when it changes ownership as a reference for correct installation and use as well as for the safety precautions. RCF S.p.A. will not assume any responsibility for the incorrect installation and / or use of this product.

SAFETY PRECAUTIONS

1. All the precautions, in particular the safety ones, must be read with special attention, as they provide important information.

2. Power supply from mains

- The mains voltage is sufficiently high to involve a risk of electrocution; install and connect this product before plugging it in.
- Before powering up, make sure that all the connections have been made correctly and the voltage of your mains corresponds to the voltage shown on the rating plate on the unit, if not, please contact your RCF dealer.
- The metallic parts of the unit are earthed through the power cable. An apparatus with CLASS I construction shall be connected to a mains socket outlet with a protective earthing connection.
- Protect the power cable from damage; make sure it is positioned in a way that it cannot be stepped on or crushed by objects.
- To prevent the risk of electric shock, never open this product: there are no parts inside that the user needs to access.
- Be careful: in the case of a product supplied by manufacturer only with POWERCON connectors and without a power cord, jointly to POWERCON connectors type NAC3FCA (power-in) and NAC3FCB (power-out), the following power cords compliant to national standard shall be used:
 - EU: cord type H05VV-F 3G 3x2.5 mm² - Standard IEC 60227-1
 - JP: cord type VCTF 3x2 mm²; 15Amp/120V~ - Standard JIS C3306
 - US: cord type SJT/SJTO 3x14 AWG; 15Amp/125V~ - Standard ANSI/UL 62

3. Make sure that no objects or liquids can get into this product, as this may cause a short circuit. This apparatus shall not be exposed to dripping or splashing. No objects filled with liquid, such as vases, shall be placed on this apparatus. No naked sources (such as lighted candles) should be placed on this apparatus.

4. Never attempt to carry out any operations, modifications or repairs that are not expressly described in this manual. Contact your authorized service centre or qualified personnel should any of the following occur:

- **The product does not function (or functions in an anomalous way).**
- **The power cable has been damaged.**

- **Objects or liquids have got in the unit.**
- **The product has been subject to a heavy impact.**

5. If this product is not used for a long period, disconnect the power cable.

6. If this product begins emitting any strange odours or smoke, switch it off immediately and disconnect the power cable.

7. Do not connect this product to any equipment or accessories not foreseen.

For suspended installation, only use the dedicated anchoring points and do not try to hang this product by using elements that are unsuitable or not specific for this purpose. Also check the suitability of the support surface to which the product is anchored (wall, ceiling, structure, etc.), and the components used for attachment (screw anchors, screws, brackets not supplied by RCF etc.), which must guarantee the security of the system / installation over time, also considering, for example, the mechanical vibrations normally generated by transducers.

To prevent the risk of falling equipment, do not stack multiple units of this product unless this possibility is specified in the user manual.

8. RCF S.p.A. strongly recommends this product is only installed by professional qualified installers (or specialised firms) who can ensure correct installation and certify it according to the regulations in force. The entire audio system must comply with the current standards and regulations regarding electrical systems.

9. Supports, trolleys and carts.



The equipment should be only used on supports, trolleys and carts, where necessary, that are recommended by the manufacturer. The equipment / support / trolley / cart assembly must be moved with extreme caution. Sudden stops, excessive pushing force and uneven floors may cause the assembly to overturn. Never tilt the assembly.

10. There are numerous mechanical and electrical factors to be considered when installing a professional audio system (in addition to those which are strictly acoustic, such as sound pressure, angles of coverage, frequency response, etc.).

11. Hearing loss.

Exposure to high sound levels can cause permanent hearing loss. The acoustic pressure level that leads to hearing loss is different from person to person and depends on the duration of exposure. To prevent potentially dangerous exposure to high levels of acoustic pressure, anyone who is exposed to these levels should use adequate protection devices. When a transducer capable of producing high sound levels is being used, it is therefore necessary to wear ear plugs or protective earphones. See the manual technical specifications to know the maximum sound pressure level.

OPERATING PRECAUTIONS

- Place this product far from any heat sources and always ensure an adequate air circulation around it.
- Do not overload this product for a long time.
- Never force the control elements (keys, knobs, etc.).
- Do not use solvents, alcohol, benzene or other volatile substances for cleaning the external parts of this product.

IMPORTANT NOTES

To prevent the occurrence of noise on line signal cables, use screened cables only and avoid putting them close to:

- **Equipment that produces high-intensity electromagnetic fields**
- **Power cables**
- **Loudspeaker lines**



WARNING! CAUTION! To prevent the risk of fire or electric shock, never expose this product to rain or humidity.



WARNING! To prevent electric shock hazard, do not connect to mains power supply while grille is removed



WARNING! to reduce the risk of electric shock, do not disassemble this product unless you are qualified. Refer servicing to qualified service personnel.

CORRECT DISPOSAL OF THIS PRODUCT



This product should be handed over to an authorized collection site for recycling waste electrical and electronic equipment (EEE). Improper handling of this type of waste could have a possible negative impact on the environment and human health due to potentially hazardous substances that are generally associated with EEE. At the same time, your cooperation in the correct disposal of this product will contribute to the effective usage of natural resources. For more information about where you can drop off your waste equipment for recycling, please contact your local city office, waste authority or your household waste disposal service.

CARE AND MAINTENANCE

To ensure a long-life service, this product should be used following these advices:

- If the product is intended to be set up outdoors, be sure it is under cover and protected to rain and moisture.
 - If the product needs to be used in a cold environment, slowly warm up the voice coils by sending a low-level signal for about 15 minutes before sending high-power signals.
 - Always use a dry cloth to clean the exterior surfaces of the speaker and always do it when the power is turned off.
-



CAUTION: to avoid damaging the exterior finishes do not use cleaning solvents or abrasives.



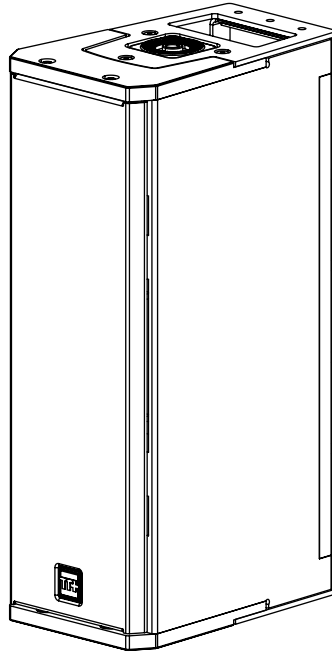
WARNING! CAUTION! For powered speakers, do cleaning only when the power is turned off.

RCF S.p.A. reserves the right to make changes without prior notice to rectify any errors and / or omissions.

Always refer to the latest version of the manual on www.rcf.it.

TT 515-A


Flexibility, power, and compactness make the TT 515-A ideal for installed and portable applications where size and weight are critical factors. This approach combines the advantages of TT+ technology such as controlled dispersion, outstanding clarity and extreme power, multiple flexible rigging accessories, and RDNET real-time monitoring and management software with recallable presets. Its transducer configuration pairs two custom-loaded 5-inch cone drivers to a rotatable CMD waveguide surrounding a titanium 1.75-inch high-frequency compression driver. Whether it's used as a compact main system, as fills, or surrounds in a larger system, TT 515-A is quick to deploy and fast to tune.

**TT 515-A**

2000 Watt
2 x 5" Neo Woofer - 2.0" v.c.
1.75" Compression Driver
9.8 kg (21.61 lbs)

3. REAR PANEL FEATURES AND CONTROLS

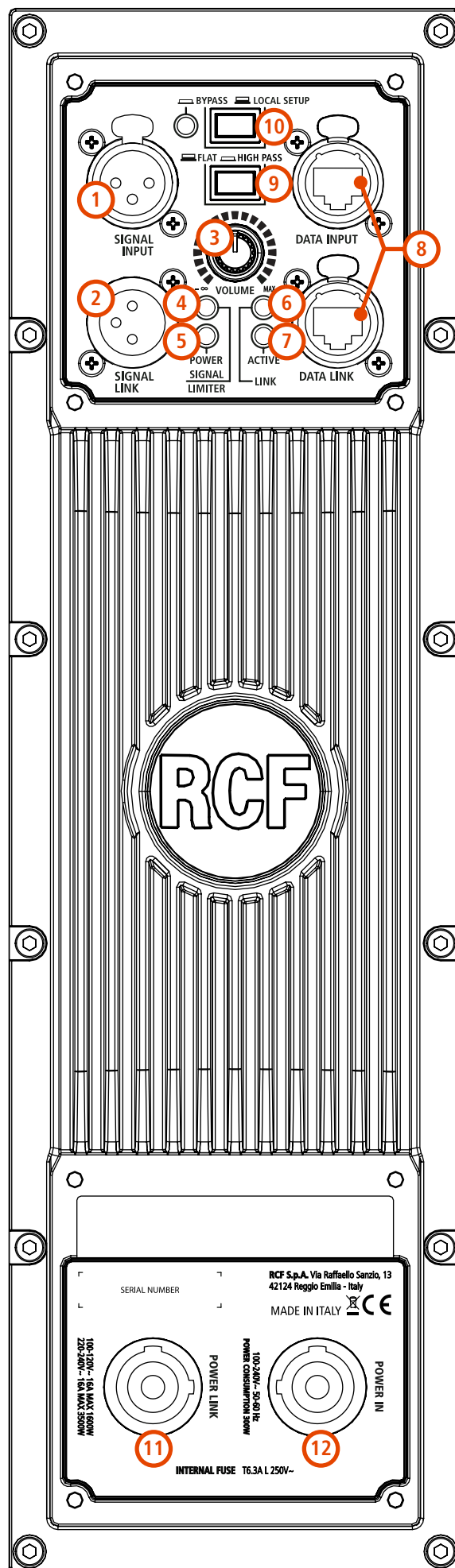
- 1 FEMALE XLR INPUTS (BAL/UNBAL)** The system accepts XLR input connectors.
- 2 MALE XLR SIGNAL OUTPUT** The output XLR connector provides a loop through for speakers daisy chaining. The balanced connector is connected in parallel and can be used to send the audio signal to other amplified speakers, recorders or supplementary amplifiers.
- 3 SYSTEM VOLUME KNOB**
- 4 SIGNAL / LIMITER LED** The LED light is green when a signal is applied to the speaker. It turns RED when the speaker compressor activates.
- 5 POWER LED** This green led is ON when the speaker is connected to the main power supply.
- 6 LINK LED** This LED turns on when the speaker is connected to RNet.
- 7 ACTIVE LED** This LED blinks when the speaker is transmitting data over RNet.
- 8 RDNET DATA INPUT AND DATA LINK** The RDNET IN/OUT PLUG SECTION features etherCON connectors for the RCF RNet protocol. This allows the user to completely control the speaker using the RNet software.
- 9 FLAT / HIGH PASS** Use the Flat / High Pass button if you want to apply a Flat or a High Pass Equalization. When the speaker is used with subwoofer TT 808-AS this button has to be pressed in order to align the speaker to the subwoofer; at the same time the button "LP 90 Hz / TT 515-A" on TT 808-AS has to be pressed (on "TT 515-A" mode).
- 10 BYPASS / LOCAL SETUP** When pressed, the setup is loaded from the internal memory that only RNet can write. Every time the speaker is turned on, the last stored configuration is applied. When the button is released, the speaker uses its local setup and will not remember its last RNet setup when turned on again.
- 11 AC POWER INPUT** Powercon locking 3-pole AC mains.
- 12 AC OUTPUT LINK** Sends the AC power to another speaker.
Power link: 100-120V~16 A MAX 1600W | 200-240V~16 A MAX 3500W.

 **WARNING! CAUTION! Loudspeaker connections should be only made by qualified and experienced personnel having the technical know-how or enough specific instructions (to ensure that connections are made correctly) in order to prevent any electrical danger.**

To prevent any risk of electric shock, do not connect loudspeakers when the amplifier is switched on.

Before turning the system on, check all connections and make sure there are no accidental short circuits.

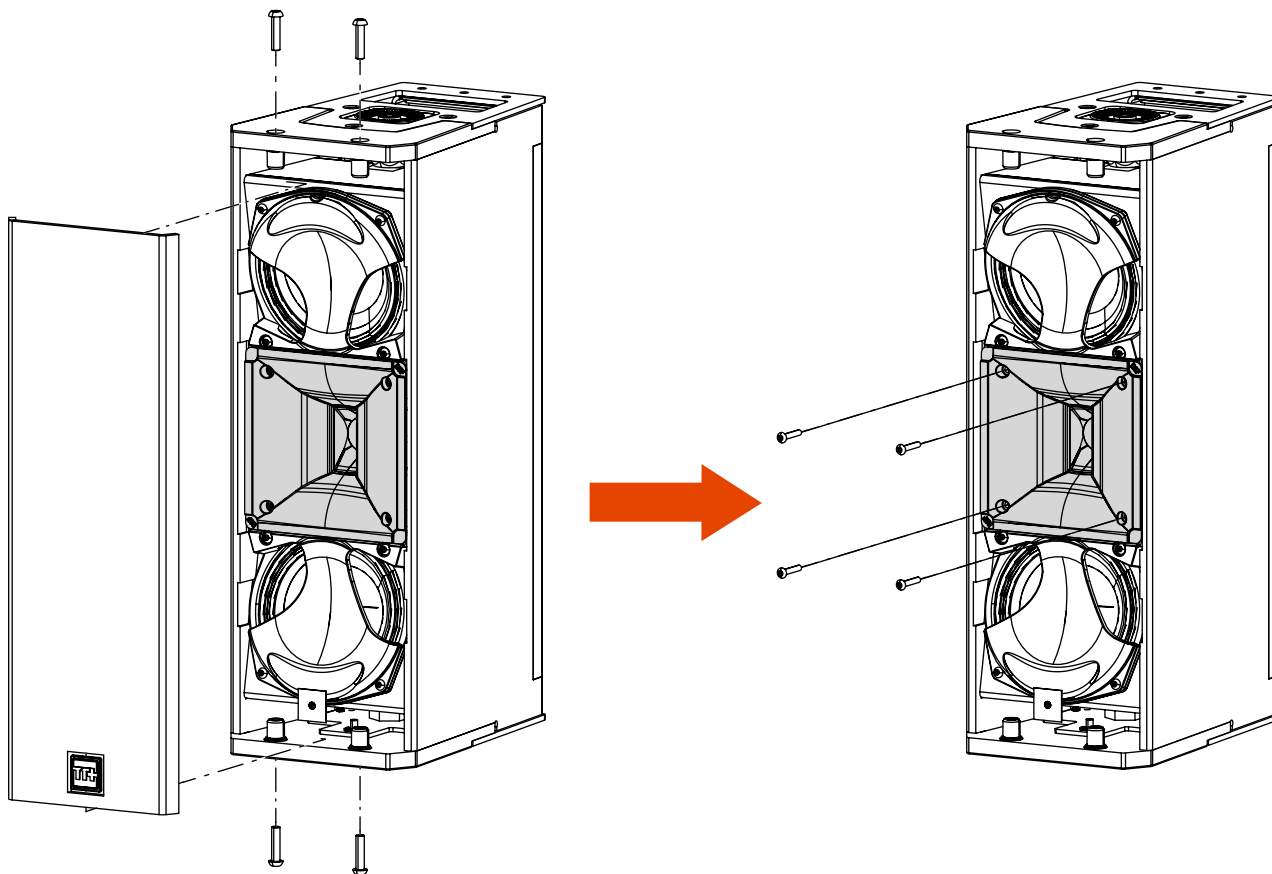
The entire sound system shall be designed and installed in compliance with the current local laws and regulations regarding electrical systems.



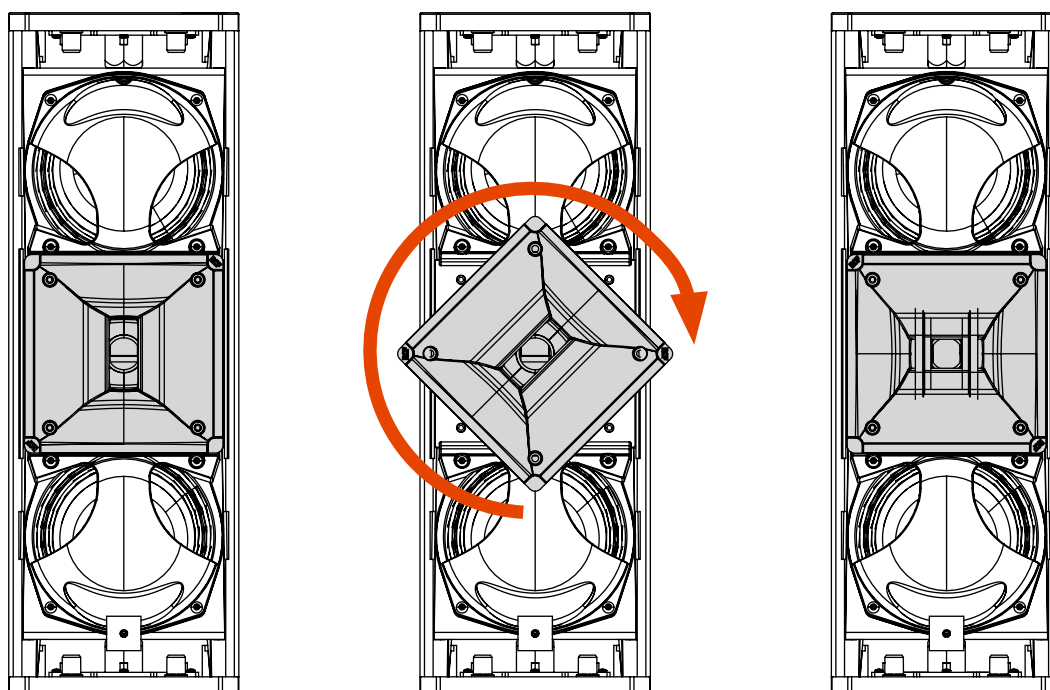
4. ROTATION OF THE HORN

The TT 515-A horn can be rotated to reverse the coverage angle and obtain a directivity of 70° H x 100° V.

First of all remove the front grille by unscrewing the four screws on top and bottom of the speaker. Then unscrew the four screws on the horn.



Rotate the horn and screw it back with the same screws removed earlier. Place back the grille on its position and screw it to the cabinet.



Directivity:
100° H x 70° V

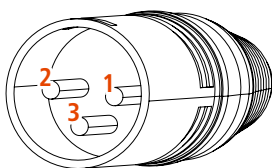
**HORN
ROTATION**

Directivity:
70° H x 100° V

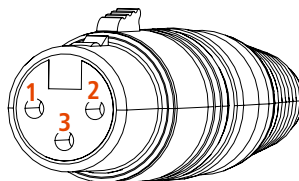
5. CONNECTIONS

The connectors must be wired according to the standards specified by the AES (Audio Engineering Society).

MALE XLR CONNECTOR
Balanced wiring

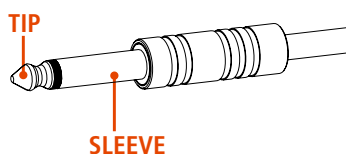


FEMALE XLR CONNECTOR
Balanced wiring

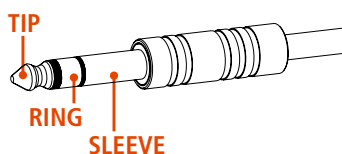


PIN 1 = GROUND (SHIELD)
PIN 2 = HOT (+)
PIN 3 = COLD (-)

TRS CONNECTOR
Unbalanced mono wiring



TRS CONNECTOR
Balanced mono wiring



SLEEVE = GROUND (SHIELD)
TIP = HOT (+)
RING = COLD (-)

BEFORE CONNECTING THE SPEAKER

On the rear panel you will find all the controls, signal and power inputs. At first verify the voltage label applied to the rear panel (115 Volt or 230 Volt). The label indicates the right voltage. If you read a wrong voltage on the label or if you can't find the label at all, please call your vendor or authorized RCF SERVICE CENTRE before connecting the speaker. This fast check will avoid any damage.

In case of need of changing the voltage please call your vendor or authorized RCF SERVICE CENTRE. This operation requires the replacement of the fuse value and is reserved to an RCF SERVICE CENTRE.

BEFORE TURNING ON THE SPEAKER

You can now connect the power supply cable and the signal cable. Before turning on the speaker make sure the volume control is at the minimum level (even on the mixer output). It is important that the mixer is already ON before turning on the speaker. This will avoid damages to the speaker and noisy "bumps" due to turning on parts on the audio chain. It is a good practice to always turn on the speakers at last and turning them off immediately after their use. You can now turn ON the speaker and adjust the volume control to a proper level.

PROTECTIONS

RCF active speakers are equipped with a complete system of protection circuits. The circuit is acting very gently on audio signal, controlling level and maintaining distortion at acceptable level.

VOLTAGE SETUP (RESERVED TO THE RCF SERVICE CENTRE)

200-240 Volt, 50 Hz SETUP:
FUSE VALUE T 3.15 A L 250V

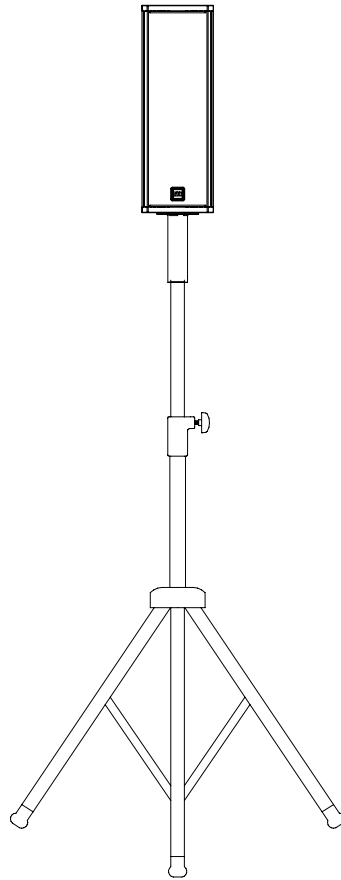
100-120 Volt, 60 Hz SETUP:
FUSE VALUE T6.3 A L 250V

6. INSTALLATION - FLOOR CONFIGURATIONS

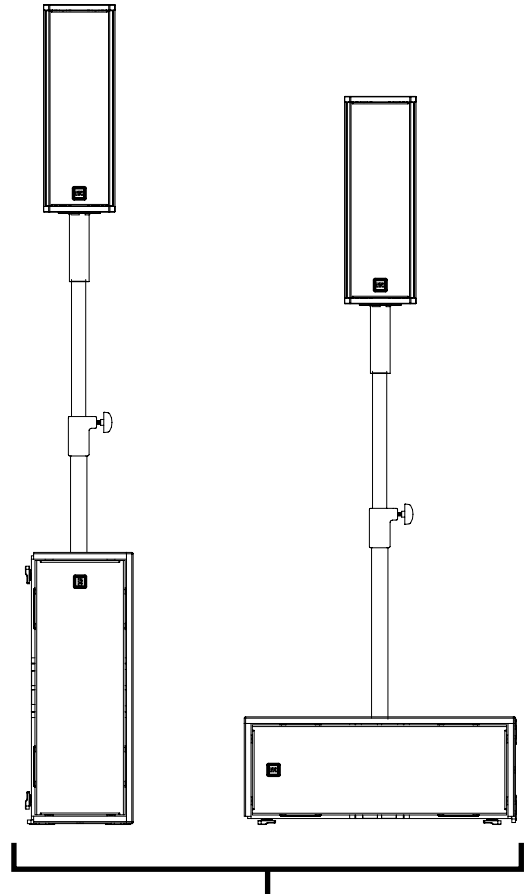
Several floor configurations are possible with TT 515-A; it can be placed on the floor or on a stage as main PA or it can be pole mounted on a speaker stand or over a subwoofer.



**FLOOR OR STAGE
STANDING**



**POLE
MOUNTED**



**SUBWOOFER
MOUNTED**

Reccomended Subwoofer:
RCF TT 808-AS



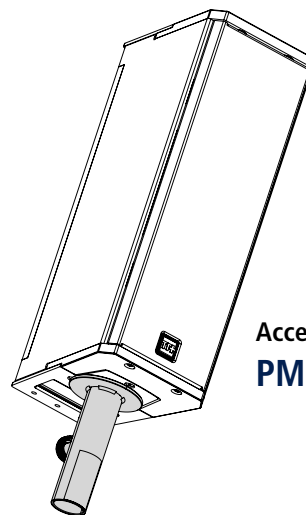
When TT 808-AS is used together with TT 515-A remeber to press both the following buttons:



on TT 808-AS



on TT 515-A



Accessory needed:
PM-KIT TT 515

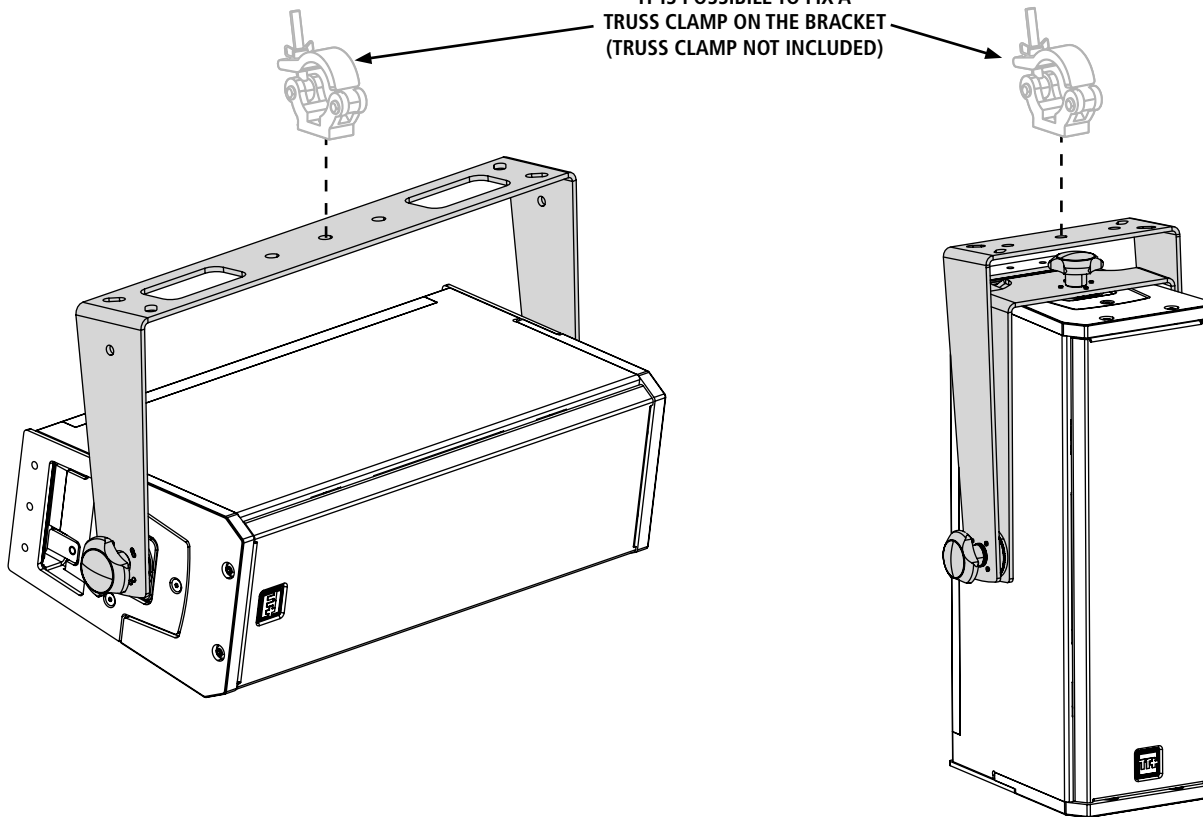
7. INSTALLATION - SUSPENDED CONFIGURATIONS

TT 515-A can be wall mounted or hanged with the use of its specific accessories: **H-BR TT 515**, **V-BR TT 515** and **FL-BR TT 515**.

H-BR TT 515

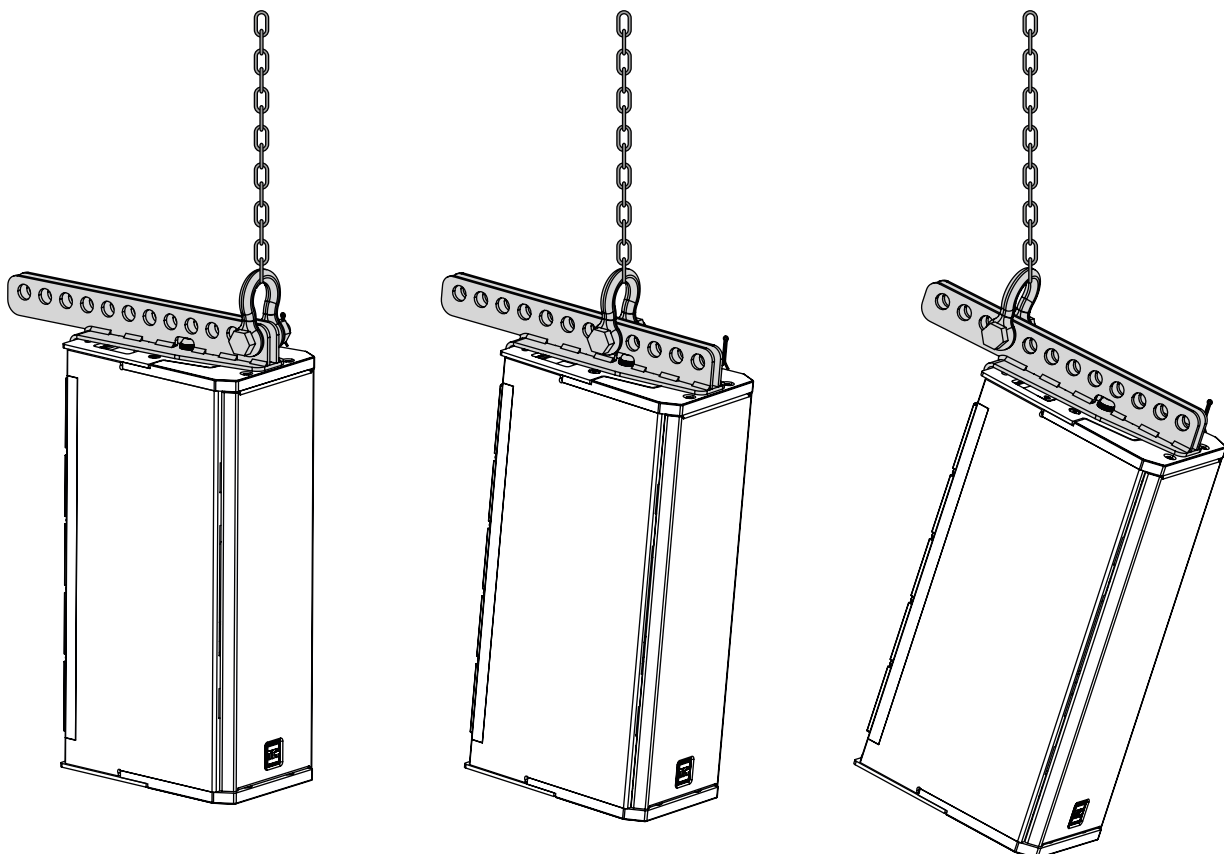
V-BR TT 515

IT IS POSSIBLE TO FIX A TRUSS CLAMP ON THE BRACKET (TRUSS CLAMP NOT INCLUDED)

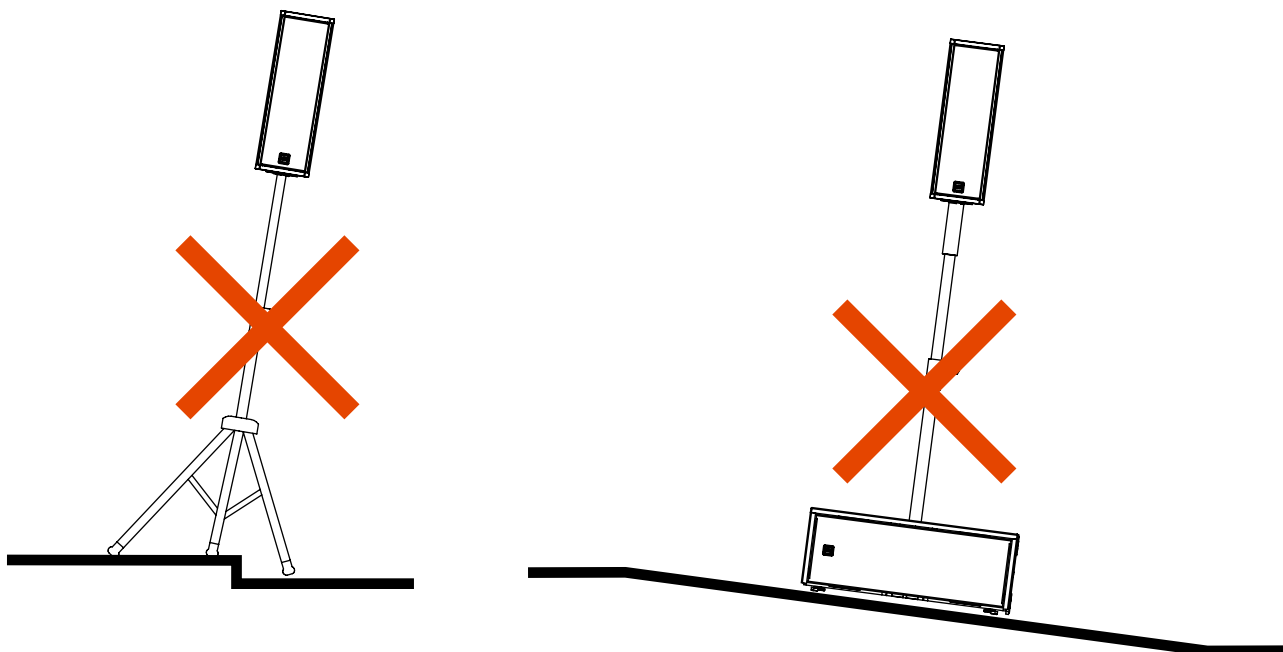




FL-BR TT 515



With the use of the flying bracket by moving the shackle on ist bracket holes, the speaker inclination can be changed to the desired angle.



8. INSTALLATION - WARNINGS

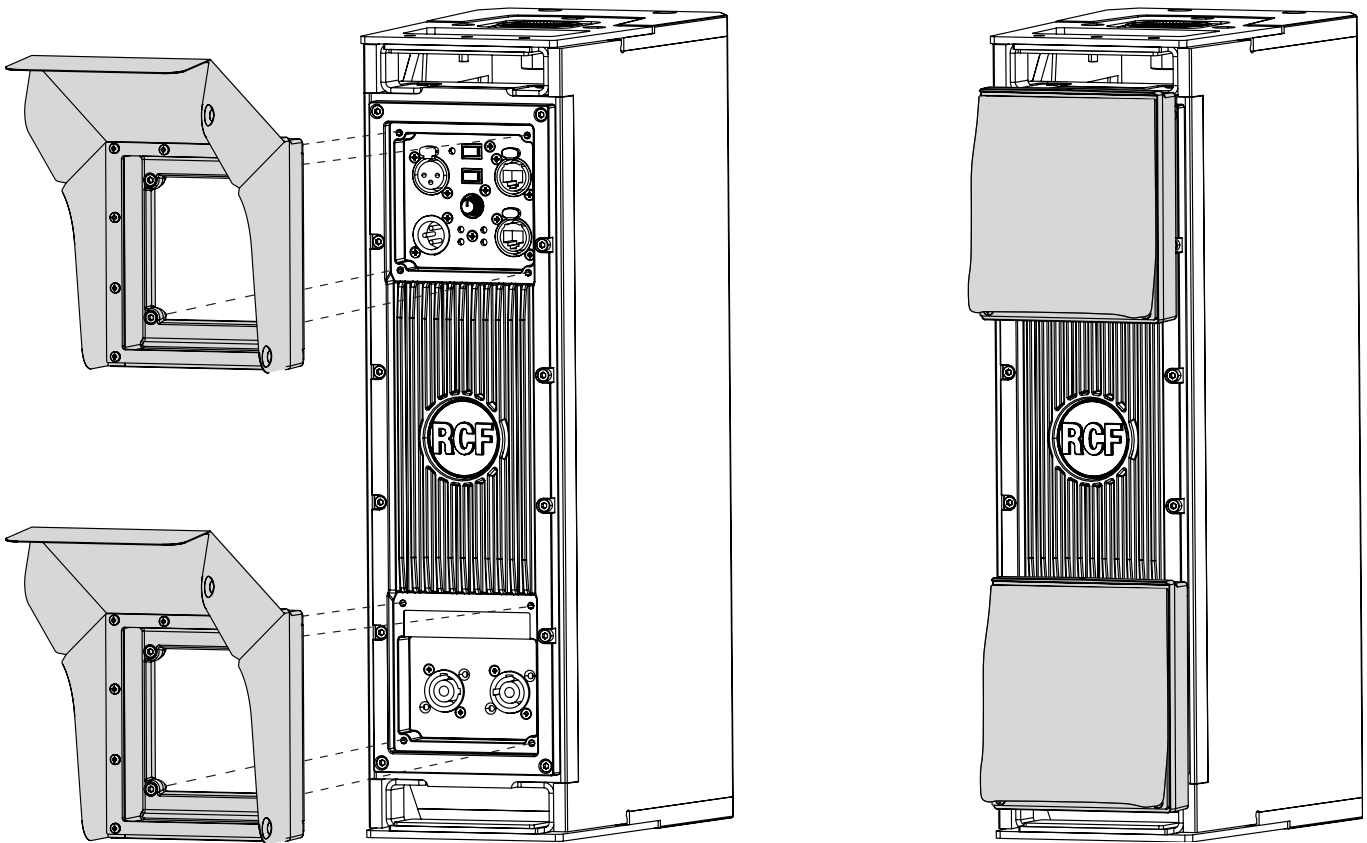


  **WARNING! CAUTION!** To use this product with the subwoofer pole-mount, before installing the system, please verify the allowed configurations and the indications regarding the accessories, on the RCF website to avoid any danger and damages to people, animals and objects. In any case, please assure the subwoofer which is holding the speaker is located on a horizontal floor and without inclinations.

  **WARNING! CAUTION!** The use of these speakers with Stand and Pole Mount accessories can be done by qualified and experienced personnel only, trained appropriately on professional systems installations. In any case it's the user's final responsibility to ensure the system safety conditions and avoid any danger or damage to people, animals and objects.

9. RAIN PROTECTION

The rain protection is easily screwable on the amplifier panel with the four screws provided.



10. TROUBLESHOOTING

THE SPEAKER DOESN'T TURN ON

Make sure the speaker is switched on and connected to an active AC power

THE SPEAKER IS CONNECTED TO AN ACTIVE AC POWER BUT DOESN'T TURN ON

Make sure the power cable is intact and connected correctly.

THE SPEAKER IS ON BUT DOESN'T MAKE ANY SOUND

Check if the signal source is sending correctly and if the signal cables are not damaged.

THE SOUND IS DISTORTED AND THE OVERLOAD LED BLINKS FREQUENTLY

Turn down the output level of the mixer.

THE SOUND IS VERY LOW AND HISSING

The source gain or the output level of the mixer might be too low.

THE SOUND IS HISSING EVEN AT PROPER GAIN AND VOLUME

The source might send a low quality or noisy signal

HUMMING OR BUZZING NOISE






Check out the AC grounding and all the equipments connected to the mixer input including cables and connectors.



WARNING! to reduce the risk of electric shock, do not disassemble this product unless you are qualified. Refer servicing to qualified service personnel.

1. AVVERTENZE PER LA SICUREZZA E INFORMAZIONI GENERALI

I simboli utilizzati in questo documento notificano importanti istruzioni operative e avvertimenti che devono essere seguiti attentamente.

	CAUTELA	Importante istruzione operativa: notifica un pericolo che potrebbe danneggiare il prodotto, compresa la perdita di dati
	ATTENZIONE	Avvertimento importante riguardante l'uso di voltaggi pericolosi e il potenziale rischio di shock elettrico, lesioni personali o morte.
	NOTE IMPORTANTI	Informazioni utili e rilevanti sull'argomento
	SUPPORTI, TROLLEY E CARRRELLI	Informazioni riguardanti l'utilizzo di supporti, trolley e carrelli. Suggerisce di muovere con estrema cautela e di non inclinare il carico.
	SMALTIMENTO	Questo simbolo indica che il prodotto non deve essere smaltito con i rifiuti ordinari, così come indicato nella direttiva WEEE (2012/19/EU) e nelle normative nazionali in vigore.

NOTE IMPORTANTI

Questo manuale contiene informazioni importanti sull'uso corretto e sicuro del dispositivo. Prima di collegare e utilizzare questo prodotto, leggere attentamente questo manuale di istruzioni e tenerlo a portata di mano per riferimenti futuri. Il manuale deve essere considerato parte integrante di questo prodotto e deve accompagnarlo in caso di cambio proprietà come riferimento per la corretta installazione e utilizzo nonché per le precauzioni di sicurezza. RCF S.p.A. non si assume alcuna responsabilità per l'installazione e / o l'uso errati di questo prodotto.

PRECAUZIONI DI SICUREZZA

1. Tutte le precauzioni, in particolare quelle di sicurezza, devono essere lette con particolare attenzione, in quanto forniscono informazioni importanti.

2. Alimentazione principale da rete elettrica

- La tensione di rete è sufficientemente elevata da comportare un rischio di folgorazione; installare e collegare questo prodotto prima di collegarlo.
- Prima di accendere, assicurarsi che tutti i collegamenti siano stati eseguiti correttamente e che la tensione della rete corrisponda alla tensione indicata sulla targhetta dei dati sull'unità, in caso contrario, contattare il rivenditore RCF.
- Le parti metalliche dell'unità sono messe a terra attraverso il cavo di alimentazione. Un apparecchio con costruzione di CLASSE I deve essere collegato a una presa di corrente con un collegamento di terra di protezione.
- Proteggere il cavo di alimentazione da danni; assicurarsi che sia posizionato in modo tale da non poter essere calpestato o schiacciato da oggetti.
- Per evitare il rischio di scosse elettriche, non aprire mai questo prodotto: non sono previste parti interne alle quali l'utente debba accedere.
- Fare attenzione: nel caso di un prodotto provvisto solo di connettori POWERCON e senza cavo di alimentazione, congiuntamente ai connettori POWERCON tipo NAC3FCA (alimentazione) e NAC3FCB (alimentazione), devono essere usati i seguenti cavi di alimentazione conformi alla norma nazionale:
 - EU: cavo di tipo H05VV-F 3G 3x2.5 mm² - Standard IEC 60227-1
 - JP: cavo di tipo VCTF 3x2 mm²; 15Amp/120V~ - Standard JIS C3306
 - US: cavo di tipo SJT/SJO 3x14 AWG; 15Amp/125V~ - Standard ANSI/UL 62

3. Assicurarsi che nessun oggetto o liquido penetri in questo prodotto poiché ciò potrebbe causare un corto circuito. Questo apparecchio non deve essere esposto a gocciolamenti o spruzzi. Nessun oggetto riempito di liquido, come vasi, deve essere posizionato su questo apparecchio. Nessuna fiamma libera (come candele accese) deve essere posizionata su questo apparecchio.

4. Non tentare mai di eseguire operazioni, modifiche o riparazioni non espressamente descritte nel presente manuale.

Contattare il centro di assistenza autorizzato o personale qualificato qualora si verifichi una delle seguenti condizioni:

- **Il prodotto non funziona (o funziona in modo anomalo).**
- **Il cavo di alimentazione è stato danneggiato.**
- **Oggetti o liquidi sono entrati nell'unità.**
- **Il prodotto ha subito un forte urto.**

5. Se questo prodotto non viene utilizzato per un lungo periodo, scollegare il cavo di alimentazione.

6. Se questo prodotto inizia a emettere strani odori o fumo, spegnerlo immediatamente e scollegare il cavo di alimentazione.

7. Non collegare questo prodotto ad apparecchiature o accessori non previsti.

Per l'installazione sospesa, utilizzare solo i punti di ancoraggio dedicati e non tentare di appendere questo prodotto utilizzando elementi non idonei o non specifici per questo scopo. Verificare inoltre l'idoneità della superficie di supporto a cui è ancorato il prodotto (parete, soffitto, struttura, ecc.) a dei componenti utilizzati per il fissaggio (tasselli, viti, staffe non fornite da RCF ecc.) che devono garantire sicurezza del sistema / installazione nel tempo, anche considerando, ad esempio, le vibrazioni meccaniche normalmente generate dai trasduttori.

Per evitare il rischio di caduta dell'apparecchiatura, non impilare più unità di questo prodotto a meno che questa possibilità non sia specificata nel manuale dell'utente.

8. RCF S.p.A. raccomanda vivamente che questo prodotto sia installato solo da installatori professionisti qualificati (o aziende specializzate) che possono garantire la corretta installazione e certificarlo secondo le normative vigenti.

L'intero sistema audio deve essere conforme agli standard e alle normative vigenti in materia di sistemi elettrici.

9. Supporti, trolley e carrelli.



L'apparecchiatura deve essere utilizzata, ove necessario, solo su supporti, trolley e carrelli consigliati dal produttore. L'apparecchiatura / supporto / carrello deve essere spostata con estrema cautela. Arresti improvvisi, eccessiva spinta e pavimenti irregolari possono causarne il ribaltamento. Non inclinare mai.

10. Vi sono numerosi fattori meccanici ed elettrici da considerare quando si installa un sistema audio professionale (oltre a quelli strettamente acustici, come la pressione del suono, gli angoli di copertura, la risposta in frequenza, ecc.).

11. Perdita dell'udito.

L'esposizione a livelli sonori elevati può causare la perdita permanente dell'udito. Il livello di pressione acustica che porta alla perdita dell'udito è diverso da persona a persona e dipende dalla durata dell'esposizione. Per prevenire un'esposizione potenzialmente pericolosa a livelli elevati di pressione acustica, chiunque sia esposto a questi livelli dovrebbe usare adeguati dispositivi di protezione. Quando viene utilizzato un trasduttore in grado di produrre alti livelli sonori, è quindi necessario indossare tappi per le orecchie o cuffie protettive. Vedere le specifiche tecniche del manuale per conoscere il livello massimo di pressione sonora.

PRECAUZIONI OPERATIVE

- Posizionare questo prodotto lontano da qualsiasi fonte di calore e garantire sempre un'adeguata circolazione dell'aria attorno ad esso.
- Non sovraccaricare questo prodotto per molto tempo.
- Non forzare mai gli elementi di controllo (tasti, manopole, ecc.).
- Non utilizzare solventi, alcool, benzene o altre sostanze volatili per pulire le parti esterne di questo prodotto.

NOTE IMPORTANTI

Per evitare di verificarsi di disturbi sui cavi di segnale in linea, utilizzare solo cavi schermati ed evitare di avvicinarli a:

- **Apparecchiature che producono campi elettromagnetici ad alta intensità**
- **Cavi di alimentazione**
- **Linee di altoparlanti**



ATTENZIONE! CAUTELA! Per evitare il rischio di incendi o scosse elettriche, non esporre mai questo prodotto a pioggia o umidità.



ATTENZIONE! Per evitare il rischio di scosse elettriche, non collegare all'alimentazione di rete mentre la griglia è rimossa.



WARNING! Per ridurre il rischio di scosse elettriche, non smontare questo prodotto se non si è qualificati. Per l'assistenza rivolgersi a personale di assistenza qualificato

SMALTIMENTO CORRETTO DI QUESTO PRODOTTO



Questo prodotto deve essere consegnato a un sito di raccolta autorizzato per il riciclaggio di apparecchiature elettriche ed elettroniche (AEE). Una manipolazione impropria di questo tipo di rifiuti potrebbe avere un possibile impatto negativo sull'ambiente e sulla salute umana a causa di sostanze potenzialmente pericolose che sono generalmente associati alle AEE. Allo stesso tempo, la vostra collaborazione per il corretto smaltimento di questo prodotto contribuirà all'utilizzo efficace delle risorse naturali. Per ulteriori informazioni su dove sia possibile scaricare le attrezzature per il riciclaggio, si prega di contattare l'ufficio comunale locale, l'autorità competente per i rifiuti o il servizio di smaltimento dei rifiuti domestici .

CURA E MANUTENZIONE

Per garantire un servizio di lunga durata, questo prodotto deve essere utilizzato seguendo questi consigli:

- Se il prodotto deve essere installato all'aperto, assicurarsi che sia coperto e protetto da pioggia e umidità.
- Se il prodotto deve essere utilizzato in un ambiente freddo, riscaldare lentamente le bobine vocali inviando un segnale di basso livello per circa 15 minuti prima di inviare segnali ad alta potenza.
- Utilizzare sempre un panno asciutto per pulire le superfici esterne dell'altoparlante e farlo sempre quando l'alimentazione è spenta



CAUTELA! Per evitare di danneggiare le finiture esterne non utilizzare solventi per la pulizia o abrasivi.



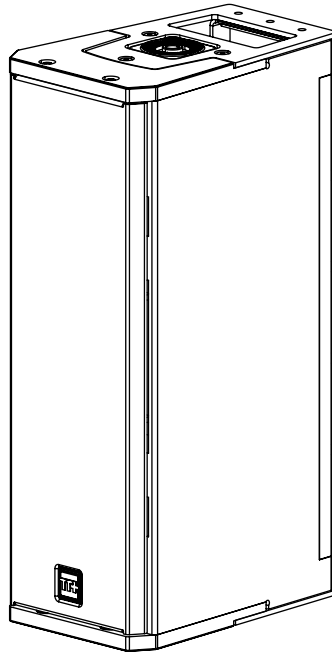
ATTENZIONE! CAUTELA! Per gli altoparlanti alimentati, eseguire la pulizia solo quando l'alimentazione è spenta.

RCF S.p.A. si riserva il diritto di apportare modifiche senza preavviso per rettificare eventuali errori e/o omissioni.

Fare sempre riferimento all'ultima versione del manuale su www.rcf.it.

TT 515-A

Flessibilità, potenza e compattezza rendono il TT 515-A la soluzione ideale per applicazioni fisse e portatili in cui le dimensioni e il peso sono fattori critici. Questo approccio combina i vantaggi della tecnologia TT+ come dispersione controllata, chiarezza e potenza eccezionali, molteplici accessori per l'appendimento e software di monitoraggio e gestione in tempo reale tramite RDNET con preset richiamabili. La sua configurazione accoppia due driver a cono da 5 pollici caricati su una guida d'onda ruotabile che completa un driver a compressione ad alta frequenza in titanio da 1,75 pollici. Sia che venga utilizzato come sistema principale compatto, come riempimento o come contorno in un sistema più grande, il TT 515-A è una soluzione definibile "veloce", sia da implementare che da mettere a punto.




TT 515-A

2000 Watt
2 x 5" Neo Woofer - 2.0" v.c.
1.75" Compression Driver
9.8 kg (21.61 lbs)

3. PANNELLO POSTERIORE - FUNZIONI E CONTROLLI

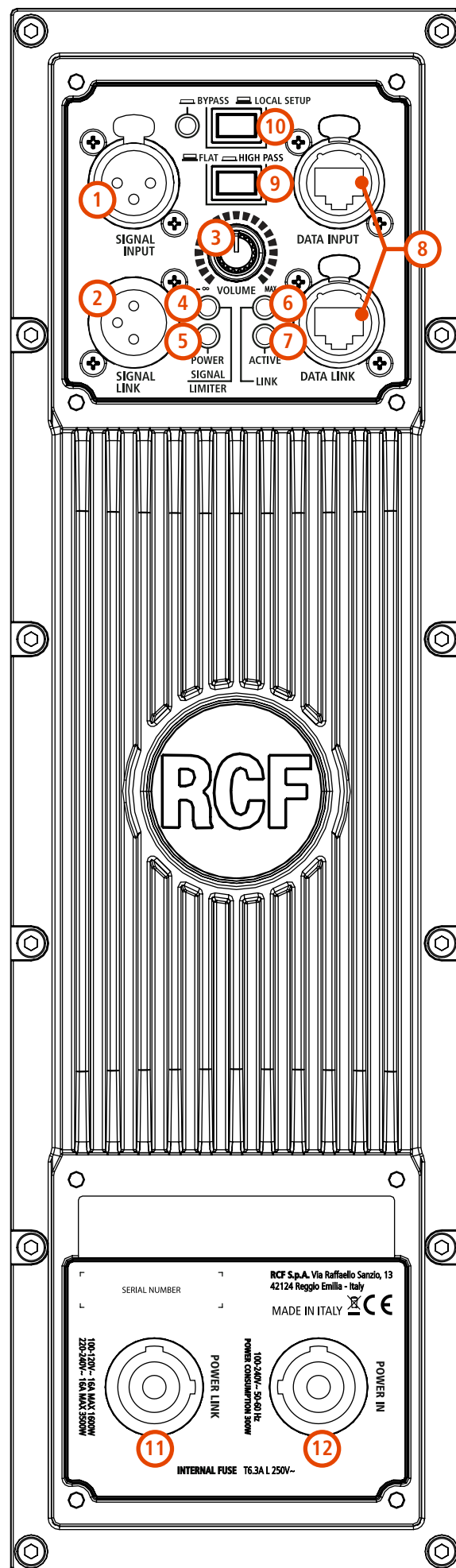
- 1** **INGRESSO SEGNALE XLR FEMMINA (BAL/UNBAL)** Il sistema accetta in ingresso connettori XRL.
- 2** **USCITA SEGNALE XLR MASCHIO** Il connettore XLR di loop del segnale permette la connessione a catena di più diffusori. Il connettore bilanciato è connesso in parallelo e può essere usato per inviare il segnale audio ad altri diffusori, registratori o amplificatori supplementari.
- 3** **MANOPOLA DEL VOLUME**
- 4** **LED SIGNAL / LIMITER** Il LED si illumina di verde quando un segnale viene trasmesso al diffusore. Diventa rosso quando il compressore entra in funzione.
- 5** **LED POWER (ALIMENTAZIONE)** Il led verde è acceso quando il diffusore è connesso alla rete di alimentazione.
- 6** **LED LINK** Questo LED si accende quando il diffusore è connesso a RDNet.
- 7** **LED ACTIVE** Questo LED lampeggia quando il diffusore sta trasmettendo dati tramite RDNet.
- 8** **RDNET DATA INPUT E DATA LINK** La SEZIONE RDNET IN/OUT PLUG presenta due prese per connettori etherCON per l'interfaccia con il protocollo RDNet. Questo permette all'utente di controllare il diffusore tramite l'utilizzo del software RCF RDNet.
- 9** **FLAT / HIGH PASS** Utilizzare il pulsante Flat / High Pass quando si vuole applicare un'equalizzazione Flat o High Pass. Quando il diffusore viene utilizzato con il subwoofer TT 808-AS questo pulsante deve essere premuto in modo da allineare il diffusore al subwoofer; allo stesso tempo il pulsante "LP 90 Hz / TT 515-A" sul TT 808-AS deve essere premuto (in modalità "TT 515-A").
- 10** **BYPASS / LOCAL SETUP** Quando premuto, la configurazione viene caricata dalla memoria interna che solo RDNet può scrivere. Ogni volta che il diffusore viene riaccessi, verrà caricata l'ultima configurazione rimasta in memoria. Quando il pulsante è rilasciato, il diffusore utilizza la configurazione locale e non ricorderà l'ultima configurazione di RDNet quando riaccessi.
- 11** **PRESA INPUT POWERCON** Connettore di alimentazione Powercon per cavo di rete.
- 12** **PRESA OUTPUT POWERCON** Connettore di uscita di alimentazione Powercon.

 **ATTENZIONE! CAUTELA!** I collegamenti dei diffusori devono essere effettuati solo da personale qualificato ed esperto in possesso del know-how tecnico o di istruzioni specifiche sufficienti (per garantire che i collegamenti siano effettuati correttamente) al fine di prevenire qualsiasi pericolo elettrico.

Per evitare qualsiasi rischio di scossa elettrica, non collegare altoparlanti quando l'amplificatore è acceso.

Prima di accendere il sistema, controllare tutti i collegamenti e assicurarsi che non vi siano cortocircuiti accidentali.

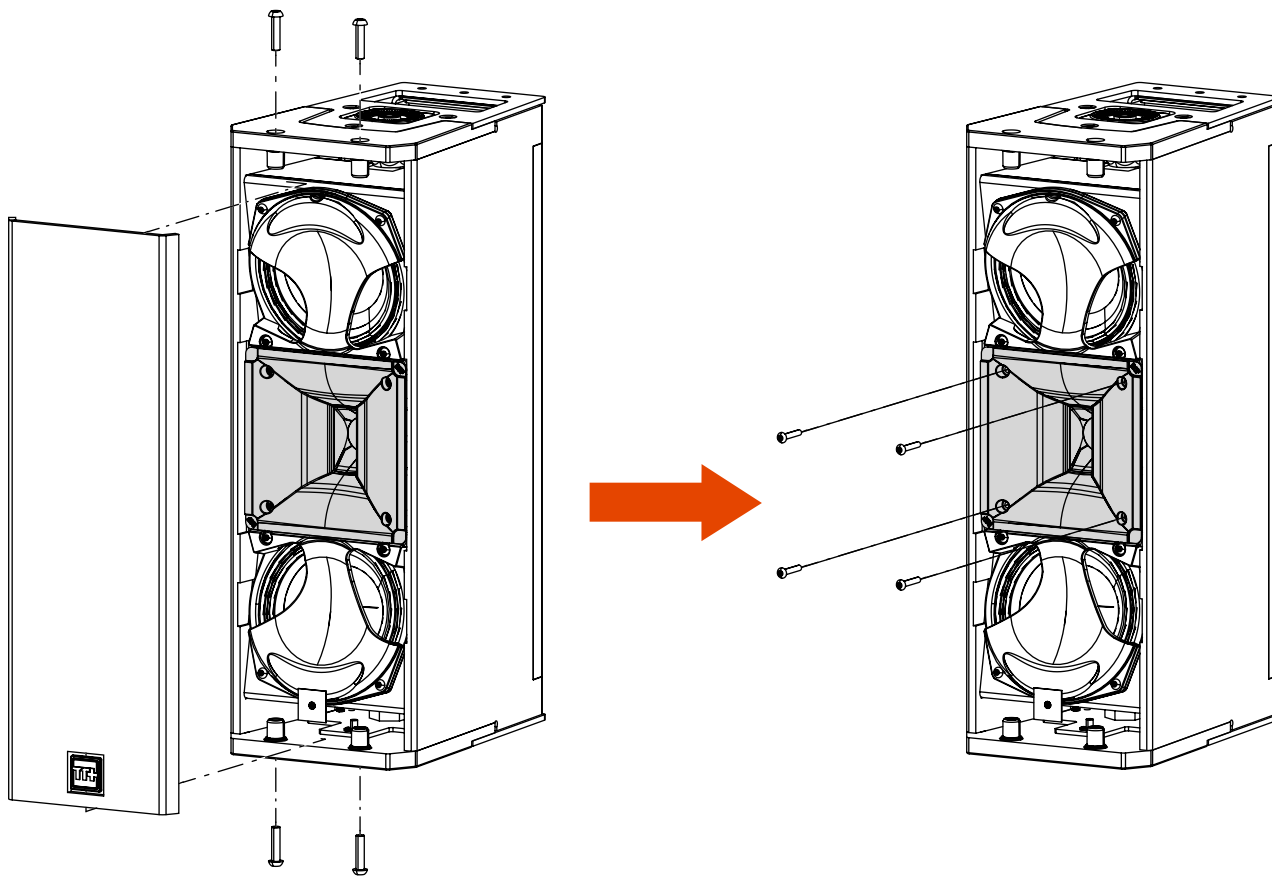
L'intero sistema di diffusione sonora deve essere progettato e installato in conformità con le leggi e le normative locali vigenti in materia di impianti elettrici.



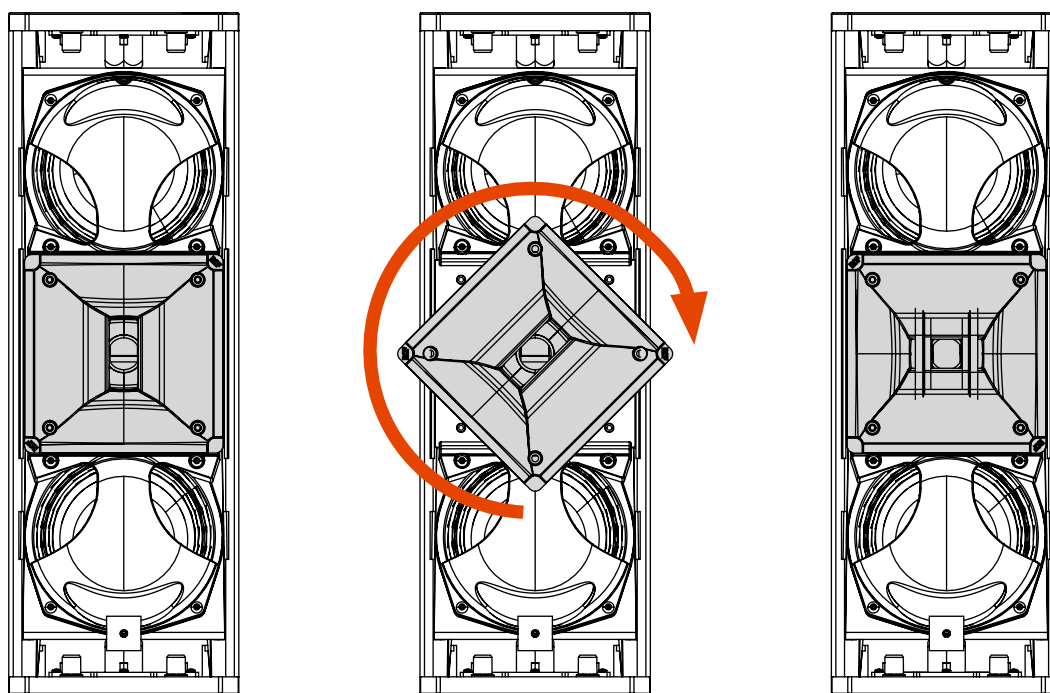
4. ROTAZIONE DELLA TROMBA

La tromba del diffusore TT 515-A può essere ruotata per invertire l'angolo di copertura ed ottenere una direttività di 70° H x 100° V.

Per prima cosa rimuovere la griglia frontale svitando le quattro viti superiori ed inferiori. Dopodichè svitare le quattro viti della tromba.



Ruotare la tromba e riavitarla con le stesse viti rimosse in precedenza. Riposizionare la griglia frontale nella sua posizione e riavitarla al cabinet.



Direttività:
100° H x 70° V

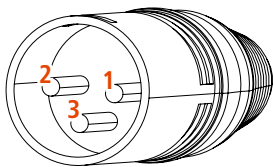
ROTAZIONE
DELLA TROMBA

Direttività:
70° H x 100° V

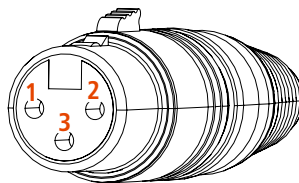
5. CONNESSIONI

I connettori di ingresso XLR devono essere cablati secondo lo standard AES (Audio Engineering Society):

CONNETTORE MASCHIO XLR Connessione bilanciata

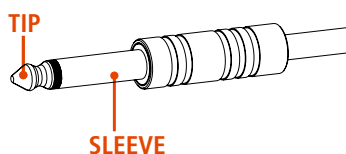


CONNETTORE FEMMINA XLR Connessione bilanciata

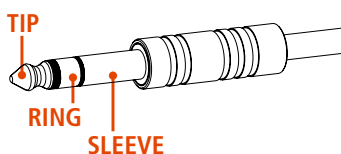


PIN 1 = TERRA (GROUND; SHIELD)
PIN 2 = LATO CALDO (HOT; +)
PIN 3 = LATO FREDDO (COLD; -)

CONNETTORE JACK TS Connessione mono sbilanciata



CONNETTORE JACK TRS Connessione mono bilanciata



SLEEVE = TERRA (GROUND ;SHIELD)
TIP = LATO CALDO (HOT; +)
RING = LATO FREDDO (COLD; -)

PRIMA DI CONNETTERE IL DIFFUSORE

Sul pannello posteriore si trovano tutti i controlli e gli ingressi di segnale e di alimentazione. Per sicurezza verificare sempre l'etichetta di tensione applicata al pannello posteriore (115 Volt o 230 Volt). L'etichetta indica la giusta tensione. Se è indicato un voltaggio errato o se non è possibile localizzare l'etichetta, chiamare il proprio rivenditore o il CENTRO DI ASSISTENZA RCF autorizzato prima di collegare il diffusore. Questo rapido controllo eviterà qualsiasi danno.

PRIMA DI ACCENDERE IL DIFFUSORE

A questo punto è possibile inserire il connettore di alimentazione e il connettore di segnale. Prima di accendere il diffusore assicurarsi che il controllo del volume sia al minimo sia sul diffusore che sulla sorgente sonora collegata al diffusore (generalmente un mixer); è importante anche che il mixer sia già acceso al momento in cui viene acceso il diffusore a lui collegato. Queste due precauzioni eviteranno di causare danni al diffusore stesso dovute a fastidiosi "bump" causati dall'accensione delle apparecchiature audio a monte dei diffusori. È buona regola che i diffusori amplificati e gli amplificatori in genere siano sempre le ultime apparecchiature ad essere accese dopo il montaggio e le prime ad essere spente alla fine dello spettacolo. Ora è possibile accendere il diffusore e alzare il controllo di livello a seconda delle necessità.

PROTEZIONI

I diffusori della serie ART 9 sono dotati di un sistema completo di circuiti di protezione. Il circuito agisce molto delicatamente sul segnale audio, controllando il livello e mantenendo la distorsione a un livello accettabile.

SELEZIONE DELLA TENSIONE DI ALIMENTAZIONE (RISERVATO AI CENTRI SERVIZIO RCF)

200-240 Volt, 50 Hz SETUP:
VALORE FUSIBILE T 3.15 A L 250V

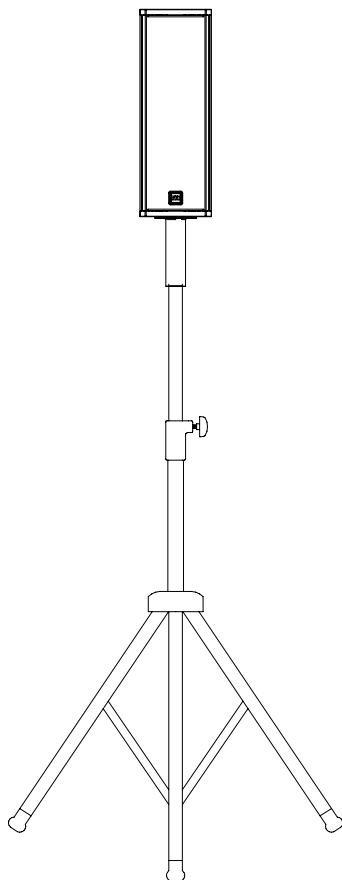
100-120 Volt, 60 Hz SETUP:
VALORE FUSIBILE T 6.3 A L 250V

6. INSTALLAZIONE - CONFIGURAZIONI A TERRA

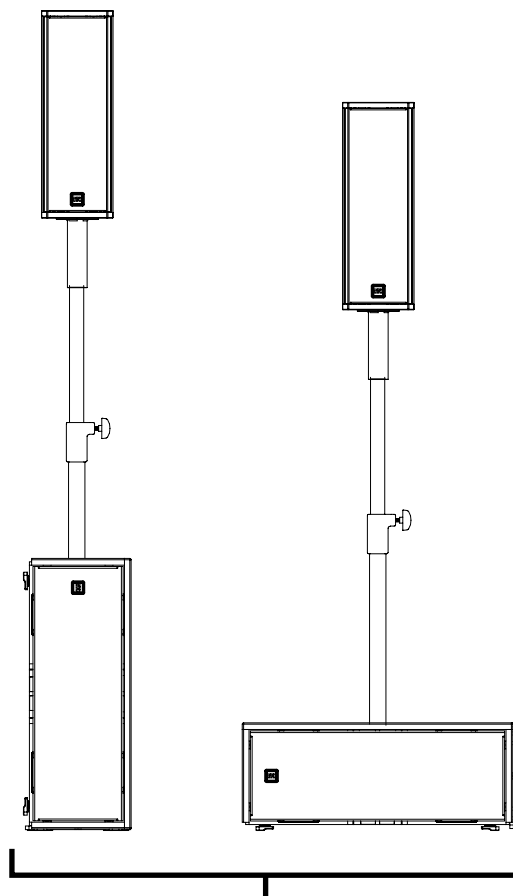
Several floor configurations are possible with TT 515-A; it can be placed on the floor or on a stage as main PA or it can be pole mounted on a speaker stand or over a subwoofer.



FLOOR OR STAGE
STANDING



POLE
MOUNTED

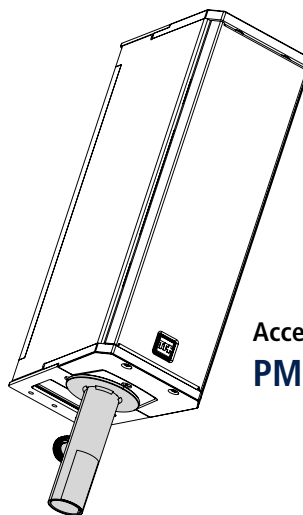


SUBWOOFER
MOUNTED

Recommened Subwoofer:
RCF TT 808-AS



Quando il subwoofer TT 808-AS
viene usato insieme a TT 515-A
premere entrambi i pulsanti:



Accessory needed:
PM-KIT TT 515

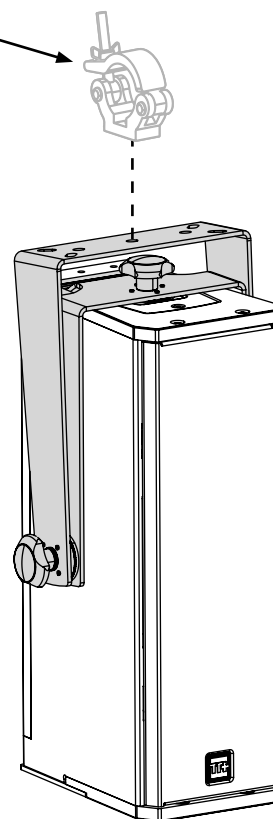
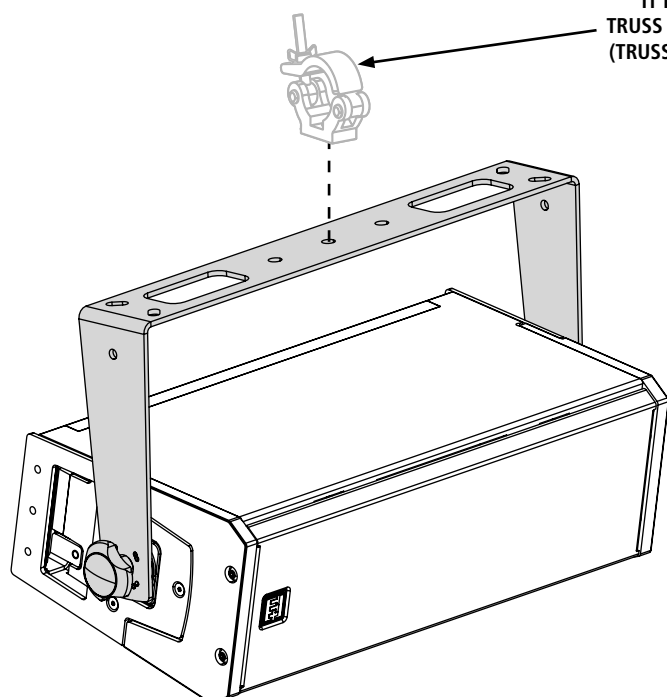
7. INSTALLAZIONE - CONFIGURAZIONI IN SOSPENSIONE

TT 515-A can be wall mounted or hanged with the use of its specific accessories: **H-BR TT 515**, **V-BR TT 515** and **FL-BR TT 515**.

H-BR TT 515

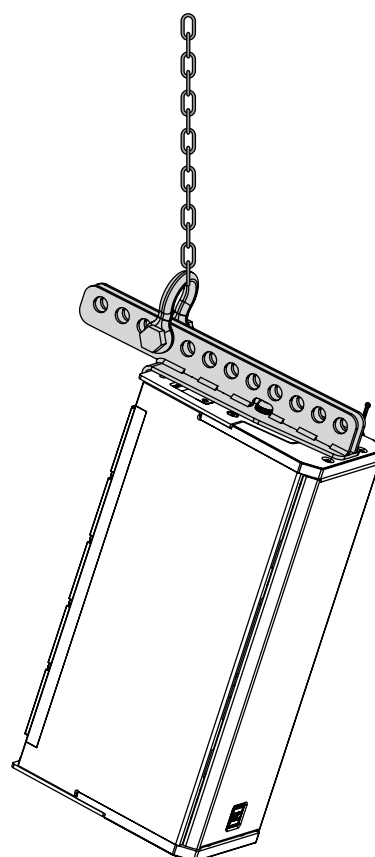
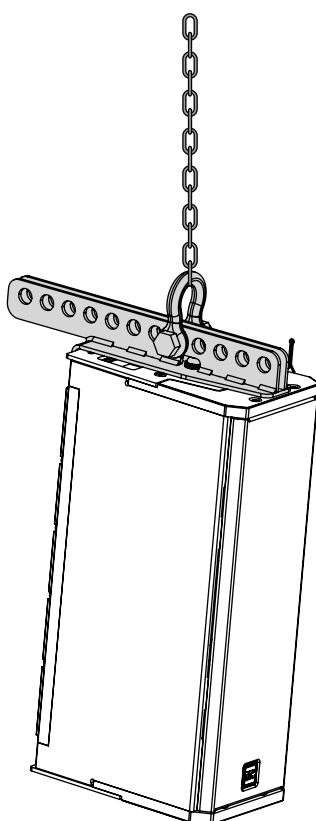
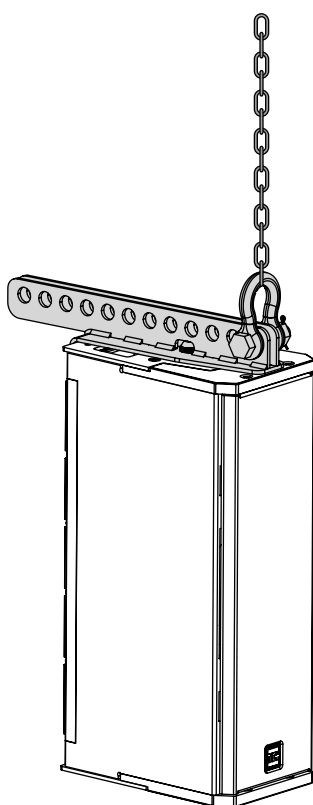
V-BR TT 515

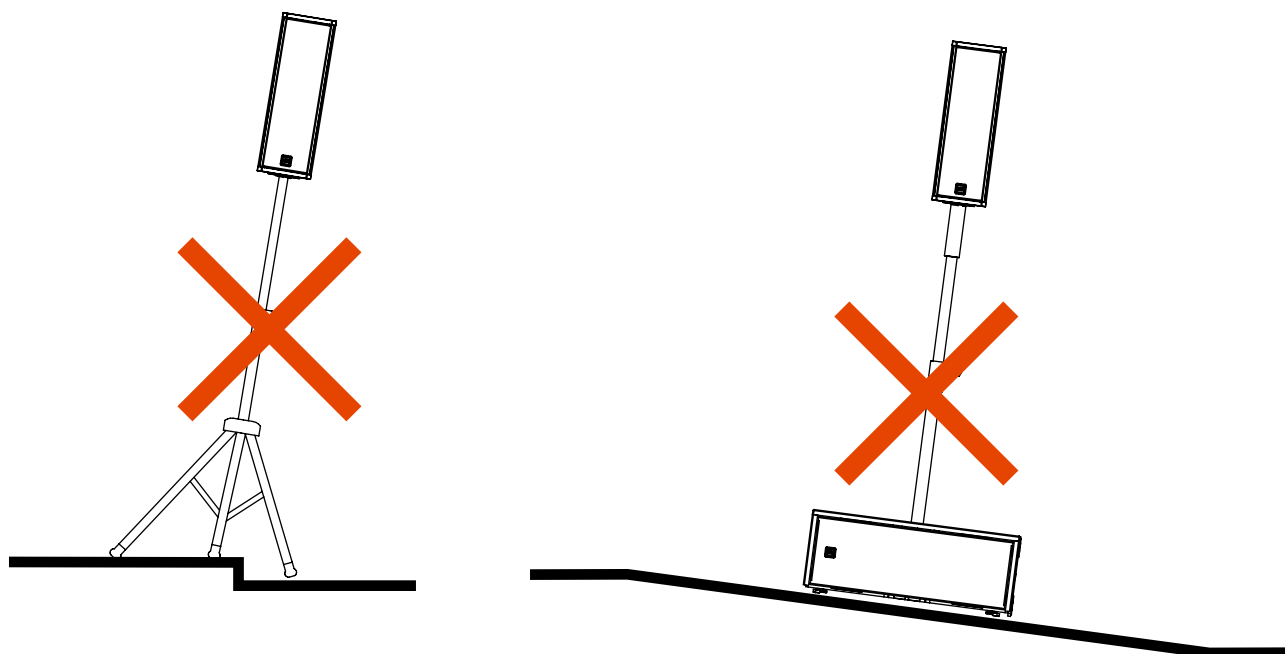
IT IS POSSIBLE TO FIX A TRUSS CLAMP ON THE BRACKET (TRUSS CLAMP NOT INCLUDED)







FL-BR TT 515

With the use of the flying bracket by moving the shackle on its bracket holes, the speaker inclination can be changed to the desired angle.



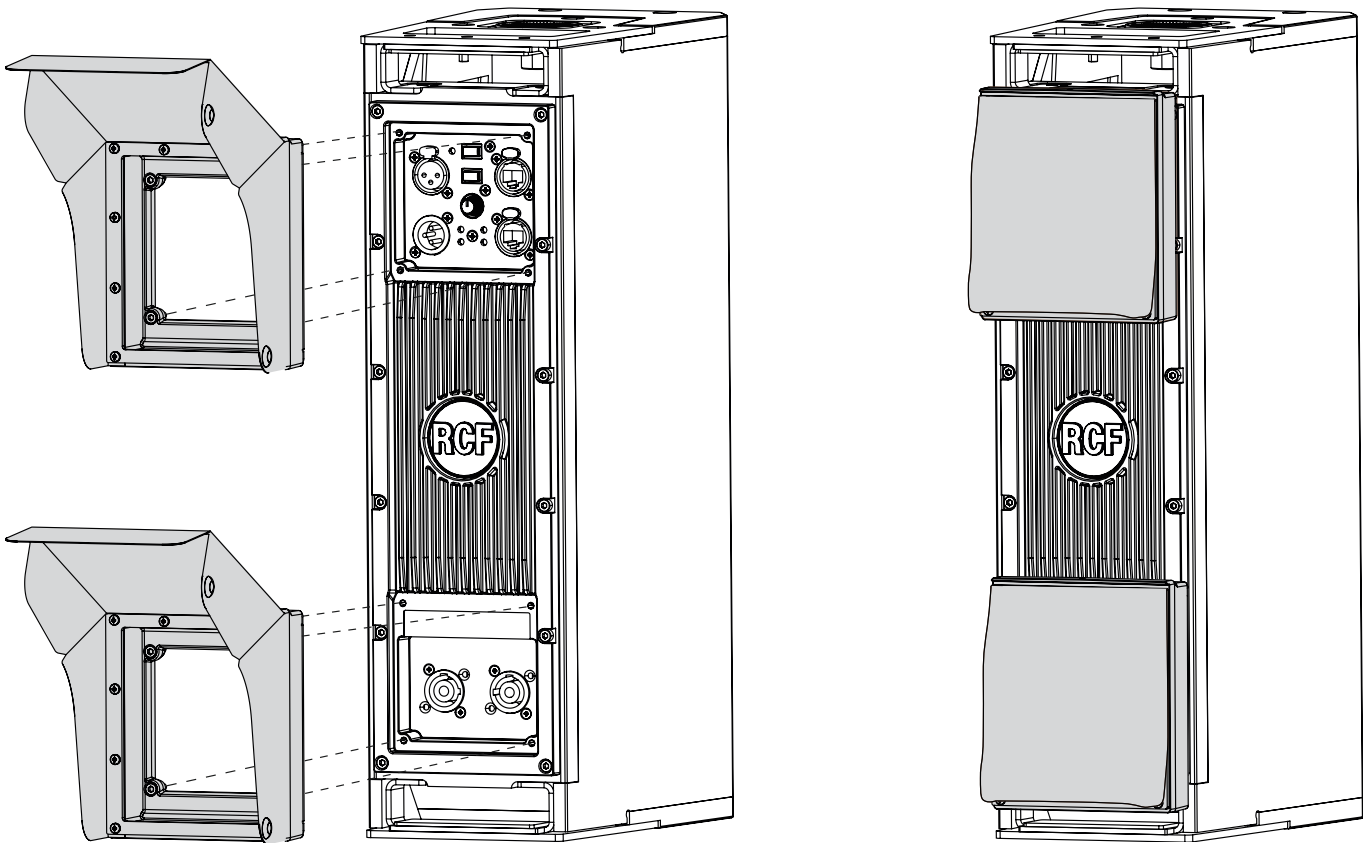


  **ATTENZIONE! CAUTELA!** Per utilizzare questo prodotto su supporto a stand o su un subwoofer, prima di installare il sistema verificare sul sito RCF le configurazioni consentite e le indicazioni relative agli accessori al fine di evitare pericoli e danni a persone, animali e cose. In ogni caso, assicurarsi che lo stand o il subwoofer che sostengono il diffusore siano posizionati su un pavimento orizzontale e senza inclinazioni.

  **ATTENZIONE! CAUTELA!** L'utilizzo di questi diffusori con supporti a palo può essere effettuato solo da personale qualificato ed esperto, adeguatamente formato su installazioni di sistemi professionali. In ogni caso è responsabilità finale dell'utente garantire le condizioni di sicurezza del sistema ed evitare qualsiasi pericolo o danno a persone, animali e cose.

9. PROTEZIONE PIOGGIA

La protezione pioggia è facilmente avvitabile al pannello amplificatore con le quattro viti in dotazione.



IL DIFFUSORE NON SI ACCENDE

Assicurarsi che il diffusore sia acceso e collegato a un'alimentazione attiva.

IL DIFFUSORE È COLLEGATO A UN'ALIMENTAZIONE ATTIVA MA NON SI ACCENDE

Verificare che il cavo di alimentazione sia integro e collegato correttamente.

IL DIFFUSORE È ACCESO MA NON EMETTE ALCUN SUONO

Verificare che la sorgente stia inviando il segnale correttamente e che i cavi di segnale non siano danneggiati.

IL SUONO È DISTORTO E IL LED SOVRACCARICO LAMPEGGIA FREQUENTEMENTE

Abbassare il livello di uscita del mixer.

IL SUONO È MOLTO BASSO E CON PRESENZA DI FRUSCIO

Il guadagno della sorgente o il livello di uscita del mixer potrebbero essere troppo bassi.

SI SENTE UN FRUSCIO ANCHE CON VOLUME E GUADAGNO CORRETTI

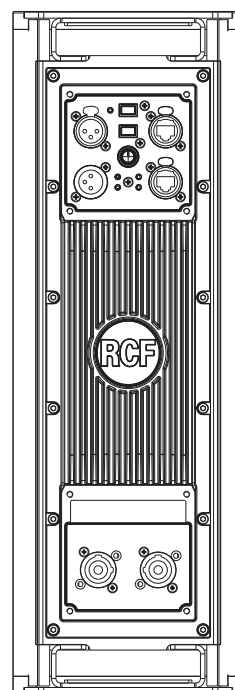
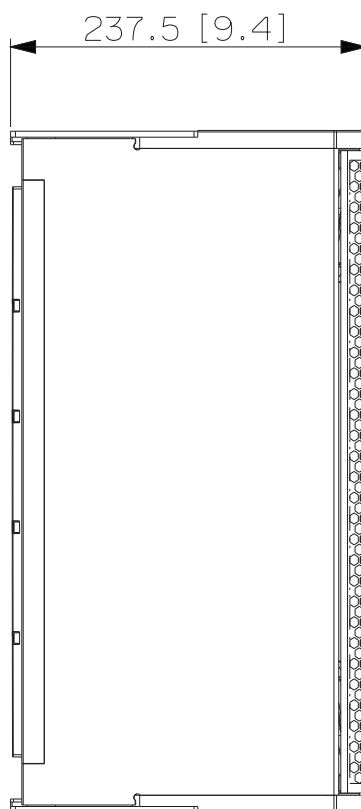
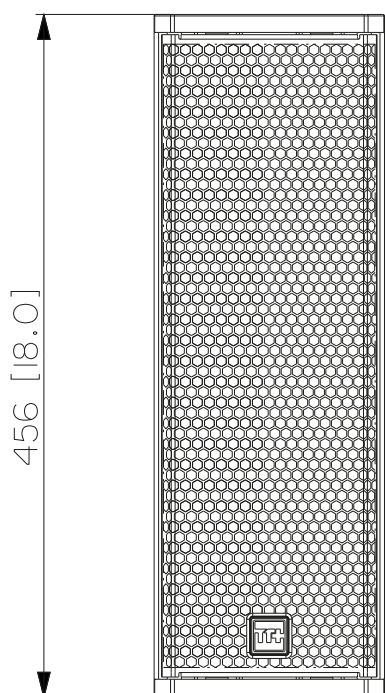
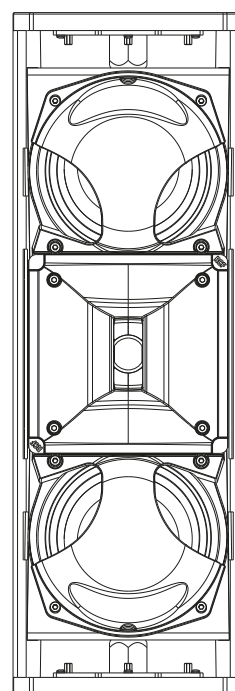
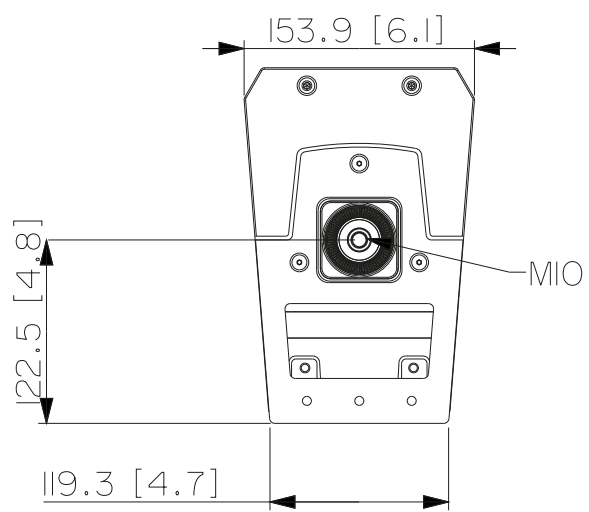
La sorgente potrebbe inviare un segnale di bassa qualità o rumoroso

IL DIFFUSORE EMETTE UN RONZIO CONTINUO

Controllare la messa a terra sia del diffusore che di tutte le apparecchiature collegate all'ingresso del mixer.
Controllare cavi e connettori.



ATTENZIONE! Per ridurre il rischio di scosse elettriche, non smontare questo prodotto a meno che non si sia qualificati.
Per l'assistenza, rivolgersi a personale di assistenza qualificato.



TECHNICAL SPECIFICATIONS

Acoustical specifications	Frequency Response:	70 Hz ÷ 20000 Hz
	Max SPL @ 1m:	127 dB
	Horizontal coverage angle:	100°
	Vertical coverage angle:	70°
Transducers	Compression Driver:	1 x 1.0" neo, 1.75" v.c
	Woofer:	2 x 5.0" neo, 2.0" v.c
Input/Output section	Input signal:	bal/unbal
	Input connectors:	XLR, RDNet Ethercon
	Output connectors:	XLR, RDNet Ethercon
	Input sensitivity:	-2 dBu/+4 dBu
Processor section	Crossover Frequencies:	1200
	Protections:	Excurs.
	Limiter:	Fast Limiter
	Controls:	Bypass, Linear/High Pass, Volume, RDnet on board
	RDNet:	Yes
Power section	Total Power:	2000 W Peak, 1000 W RMS
	High frequencies:	600 W Peak, 300 W RMS
	Low frequencies:	1400 W Peak, 700 W RMS
	Cooling:	Convection
	Connections:	Powercon IN/OUT
Standard compliance	CE marking:	Yes
Physical specifications	Cabinet/Case Material:	Baltic birch plywood
	Hardware:	2X M10 TOP AND BOTTOM 2X PIN D.10
	Handles:	2 TOP AND BOTTOM
	Grille:	Steel
	Color:	Black
Size	Height:	456 mm / 17.95 inches
	Width:	154 mm / 6.06 inches
	Depth:	237.5 mm / 9.35 inches
	Weight:	9.8 kg / 21.61 lbs
Shipping informations	Package Height:	510 mm / 20.08 inches
	Package Width:	290 mm / 11.42 inches
	Package Depth:	200 mm / 7.87 inches
	Package Weight:	11.3 kg / 24.91 lbs

