

eUC106

SPECIALIZED LOUDSPEAKERS


Spherical Pendant Loudspeaker



PRODUCT OVERVIEW

ECLER eUC106 is a spherical pendant loudspeaker featuring a 6.5" woofer, 1" tweeter and 70/100V transformer. It includes all mounting accessories.

KEY FEATURES

- Spherical pendant type loudspeaker
- 40W RMS
- 8 Ω and 70/100 V
- 6.5" woofer + 1" tweeter
- Transformer selector: 32W-16W-8W-4W @ 100V
16W-8W-4W-2W @ 70V
8 Ω
- Stripped wire connection
- Cable length: 3m
- Available in white (RAL9003) and black (RAL9005) finish
- Paintable cabinet
- EASE Win file available 

APPLICATIONS

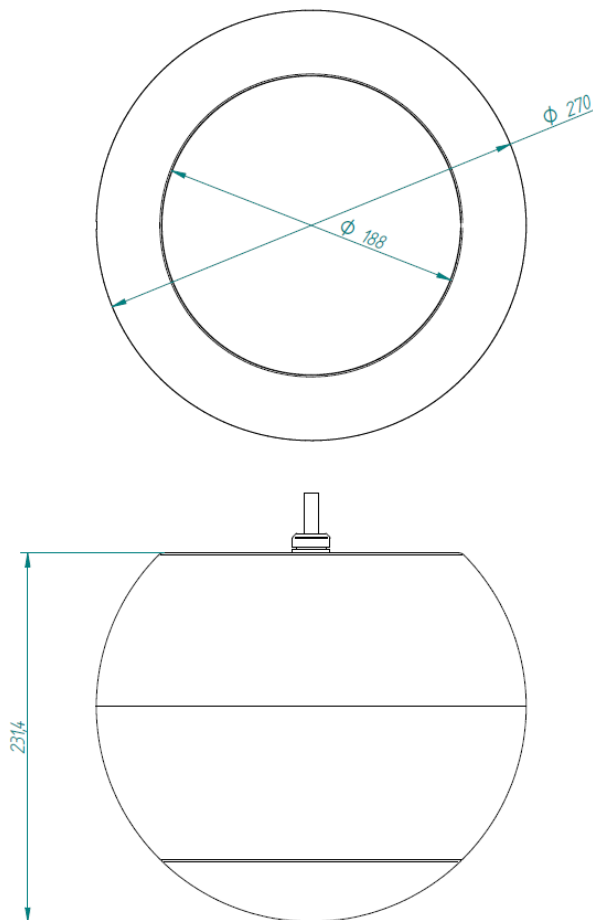
- Retail
- Hospitality
- Corporate
- Leisure
- Sports & Wellness

TECHNICAL DATA

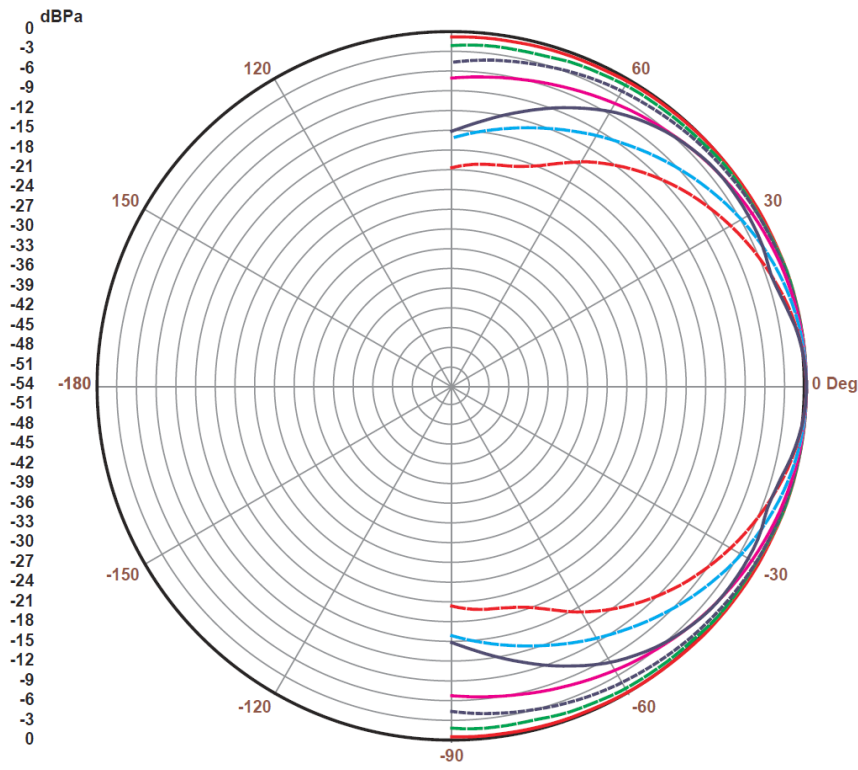
eUC106

Nominal low impedance	8Ω
RMS power	40 W
Program Power	80 W
Transformer selector	32W-16W-8W-4W (100V); 16W-8W-4W-2W (70V); 8 Ω
Frequency response (-6 dB)	100Hz – 20kHz
Sensitivity 1W/1m	89 dB
Woofer diameter	6.5"
Material	ABS
Dimensions	ø270 x 215 (H)
Colour	Black (RAL9005) White (RAL9003)
Weight	3 kg

MECHANICAL DIAGRAMS



POLAR DIAGRAMS



Curve	Freq	BW	Q	DI
—	125.00	180	2.0	3.0
—	250.00	180	2.0	3.0
—	500.00	180	2.0	3.0
—	1.00K	151	2.4	3.8
—	2.00K	85	4.2	6.2
—	4.00K	67	5.4	7.3
—	8.00K	122	3.0	4.7



Todas las características del producto están sujetas a variación debido a las tolerancias de producción. **NEEC AUDIO BARCELONA S.L.** se reserva el derecho a realizar cambios o mejoras en el diseño o la fabricación que puedan afectar estas especificaciones de producto.

Motors, 166-168 08038 Barcelona - España - (+34) 932238403 | information@ecler.com | www.ecler.com