

## KEY FEATURES

- High power handling: 700 W<sub>AES</sub>
- High sensitivity: 96 dB
- FEA optimized magnetic circuit
- Designed with MMSS technology for high control, linearity and low harmonic distortion
- CONEX spider for higher resistance and consistency
- Waterproof treatment for both sides of the cone
- 4" DUO double layer inner/outer voice coil
- Extended controlled displacement: X<sub>MAX</sub> ± 9 mm
- Massive mechanical displacement capability: X<sub>damage</sub> ± 47 mm

## TECHNICAL SPECIFICATIONS

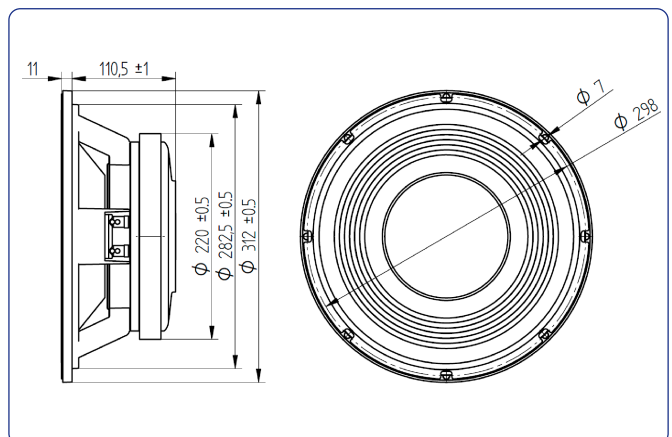
Nominal diameter	300 mm	12 in
Rated impedance		8 Ω
Minimum impedance		7,1 Ω
Power capacity*		700 W <sub>AES</sub>
Program power		1.400 W
Sensitivity	96 dB @ 1W @ Z <sub>N</sub>	
Frequency range		35 - 2.000 Hz
Recom. enclosure vol.	12 / 60 l	0,7 / 2,24 ft <sup>3</sup>
Voice coil diameter	101,6 mm	4 in
Magnetic assembly weight	9 kg	19,84 lb
BI factor		20 N/A
Moving mass		0,102 kg
Voice coil length		20 mm
Air gap height		10 mm
X <sub>damage</sub> (peak to peak)		47 mm

## THIELE-SMALL PARAMETERS\*\*

Resonant frequency, f <sub>s</sub>	49 Hz
D.C. Voice coil resistance, R <sub>e</sub>	5,1 Ω
Mechanical Quality Factor, Q <sub>ms</sub>	15,3
Electrical Quality Factor, Q <sub>es</sub>	0,40
Total Quality Factor, Q <sub>ts</sub>	0,38
Equivalent Air Volume to C <sub>ms</sub> , V <sub>as</sub>	43 l
Mechanical Compliance, C <sub>ms</sub>	99 μm / N
Mechanical Resistance, R <sub>ms</sub>	2,1 kg / s
Efficiency, η <sub>0</sub>	1,21 %
Effective Surface Area, S <sub>d</sub>	0,055 m <sup>2</sup>
Maximum Displacement, X <sub>max</sub> ***	9 mm
Displacement Volume, V <sub>d</sub>	500 cm <sup>3</sup>
Voice Coil Inductance, L <sub>e</sub> @ Z <sub>min</sub>	2,1 mH



## DIMENSION DRAWINGS



## MOUNTING INFORMATION

Overall diameter	312 mm	12,28 in
Bolt circle diameter	298 mm	11,73 in
Baffle cutout diameter:		
- Front mount	283 mm	11,14 in
- Rear mount	280 mm	11,02 in
Depth	123 mm	4,94 in
Volume displaced by driver	5,5 l	0,14 ft <sup>3</sup>
Net weight	9,7 kg	21,39 lb
Shipping weight	10,4 kg	22,92 lb

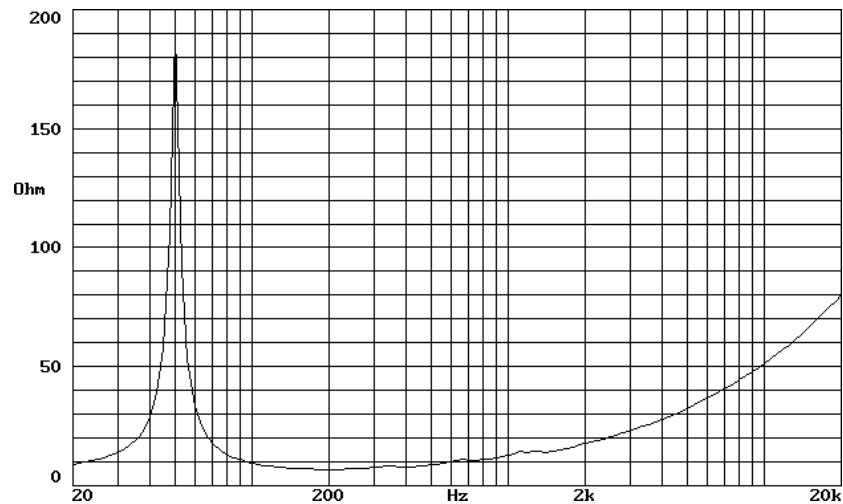
### Notes:

\* The power capacity is determined according to AES2-1984 (r2003) standard. Program power is defined as the transducer's ability to handle normal music program material.

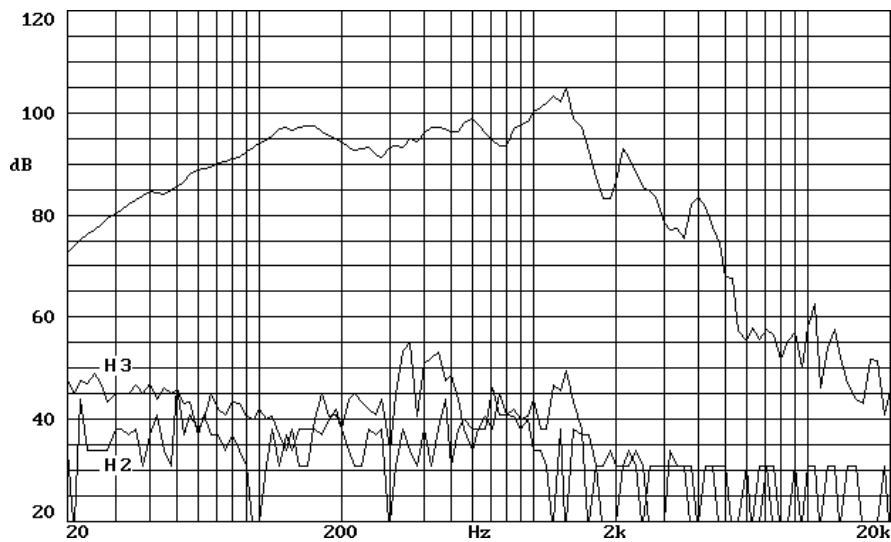
\*\* T-S parameters are measured after an exercise period using a preconditioning power test. The measurements are carried out with a velocity-current laser transducer and will reflect the long term parameters (once the loudspeaker has been working for a short period of time).

\*\*\* The X<sub>max</sub> is calculated as (L<sub>vc</sub> - H<sub>ag</sub>)/2 + (H<sub>ag</sub>/3,5), where L<sub>vc</sub> is the voice coil length and H<sub>ag</sub> is the air gap height.

## FREE AIR IMPEDANCE CURVE



## FREQUENCY RESPONSE AND DISTORTION



Note: On axis frequency response measured with loudspeaker standing on infinite baffle in anechoic chamber, 1W @ 1m