



Engineering Data Sheet

A 112A

Powered 12-inch two-way full-range speaker

Features:

- DH-1K 1.5-inch Titanium Diaphragm Compression Driver
- EVS-12K 12-inch Woofer
- 121 dB max. SPL
- 500 W Class-D Amplifier
- Integrated DSP with FIR filter



Wir weisen ausdrücklich darauf hin, dass bei gehängten Lautsprecherboxen die einschlägigen Sicherheitsbestimmungen zu beachten sind. Es muss unbedingt qualifizierte Fachberatung in Anspruch genommen werden!

We expressly point out that the relevant safety regulations must be observed for "flying" loudspeaker systems. It is imperative that qualified expert advice is sought.

WARNING:

THIS LOUDSPEAKER SYSTEM CAN PERMANENTLY DAMAGE HEARING!
USE EXTREME CARE WHEN SETTING SOUND PRESSURE LEVELS!

DANGER:

CONSULT A CERTIFIED STRUCTURAL ENGINEER BEFORE ANY ATTEMPT TO SUSPEND THIS LOUDSPEAKER! LOUDSPEAKER CAN FALL FROM IMPROPER SUSPENSION, RESULTING IN SEVERE INJURY AND DAMAGE OF PROPERTY. DO NOT SUSPEND OR MOUNT ANY OTHER PRODUCT OR DEVICE FROM THIS LOUDSPEAKER ENCLOSURE! USE GRADE 5 HARDWARE OR BETTER ONLY!

Order No.	230 V: F01U270188 (A112A-230V) 120 V: F01U275161 (A112A-120V)
Cabinet	Powered two-way full-range speaker, 12" woofer, 1.5" compression driver, vented design
Maximum Amplifier Output Capability, IHF-A	500 W
Amplifier Power RMS	420 W
Output Stage Topology, amplifier	Class D
Max. SPL 1 m / calc.	121 dB
Frequency Range (-10 dB)	55 Hz to 17 kHz
Frequency Response (-3 dB)	65 Hz to 16 kHz
Nominal Coverage Angle	90° x 50° (Horizontal x Vertical)
Audio Input (LINE 1 or MIC/LINE 2)	XLR and 1/4" TRS combination
Audio Input (AUX)	Stereo RCA, unbalanced
Audio Output (LINK OUTPUT)	XLR, balanced
Digital Signal Processing	28/56-Bit, 48 kHz
Crossover Frequency	1.7 kHz
LF Transducer	1 x EVS-12K, 305 mm (12"), F01U250937
HF Transducer	DH-1K, 39 mm (1.5"), titanium diaphragm compression driver, F01U250928
Power Requirement	230 V: 220 to 240 V AC, 50 to 60 Hz, 0.6 A, IEC inlet 120 V: 100 to 120 V AC, 50 to 60 Hz, 1.0 A, IEC inlet
Safety Class	I
Operating Temperature Range	0°C to 40°C
Product Dimensions (W x H x D)	607 x 362 x 340 mm
Shipping Dimensions (W x H x D)	683 x 430 x 410 mm
Net Weight	16.8 kg
Shipping Weight	21.9 kg
Enclosure Material	15-mm Multi-ply wood
Finish	Textured paint
Grille	18-GA steel with black powder coat
Handles	1
Optional Accessories	
Dust Cover	SH-112A: F01U270395
VPM 1500, variable speaker pole	F01U141047
BS 35, speaker stand	F01U141046
Recommended extensions	
A 118A Powered subwoofer	230 V: F01U270190 120 V: F01U275164

Description

Clear, powerful and musical DYNACORD loudspeakers command the stage at high-profile venues and major events worldwide. Born stage-ready, the A-Line includes powered and passive models that all feature DYNACORD-engineered components in solid wood cabinets. Wherever performance matters, A-Line is serious gear for serious sound.

Illustration 1: Dimensions

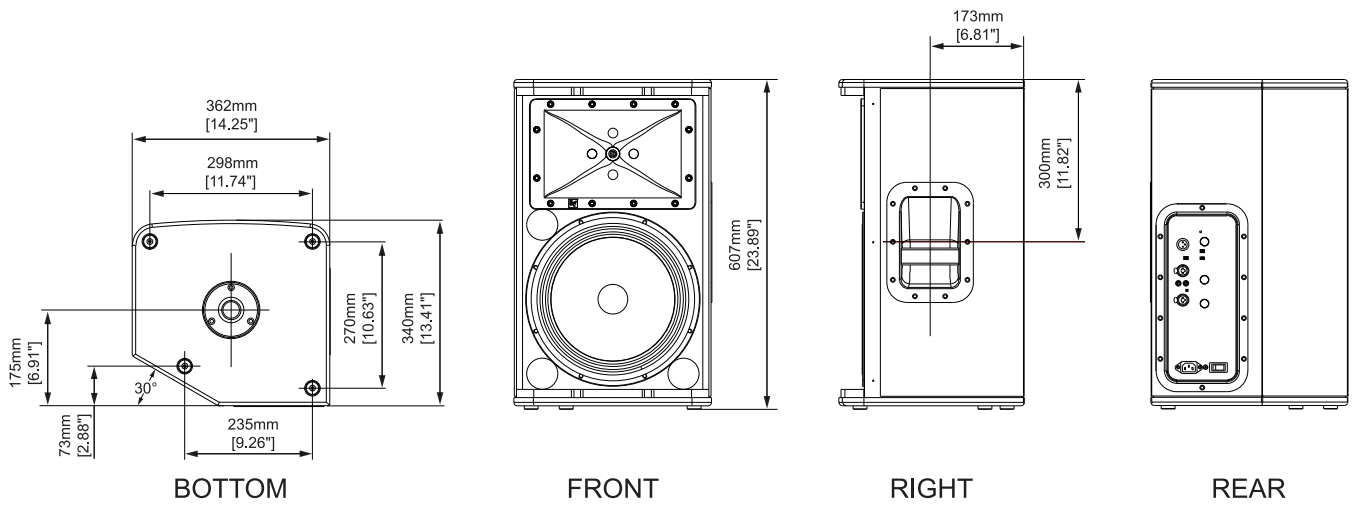


Illustration 2: Frequency Response

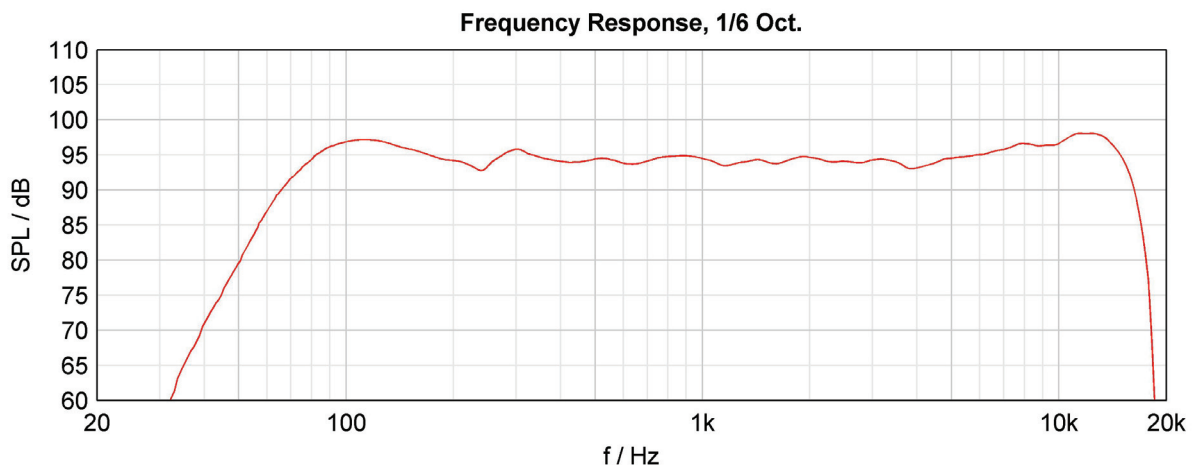


Illustration 3: Circuit diagram

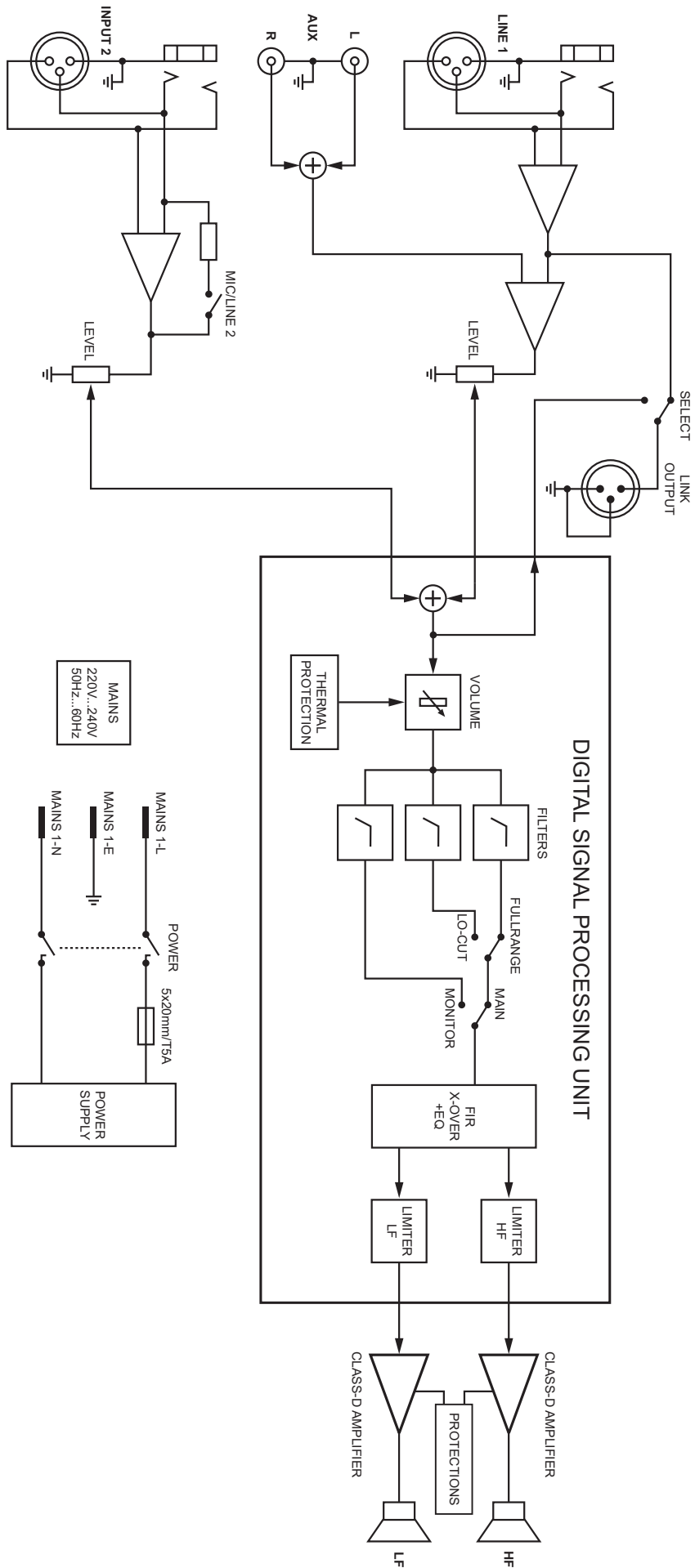


Illustration 4: Stacking full-range systems with subwoofers (Dual A 112A or A 115A with LO-CUT setting selected, dual A 118A subwoofers)

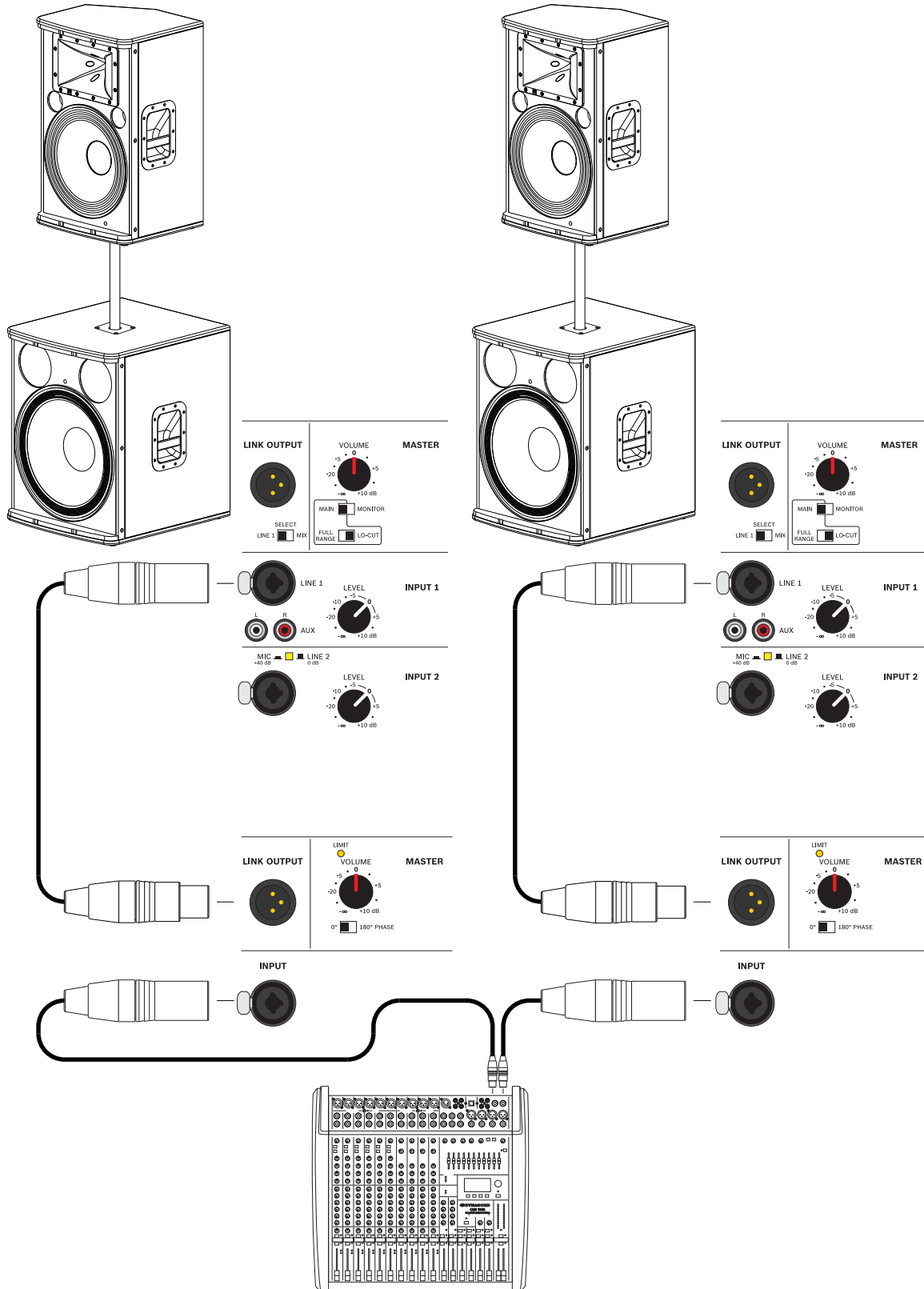


Illustration 5: Daisy-chaining full-range systems (dual A 112A)

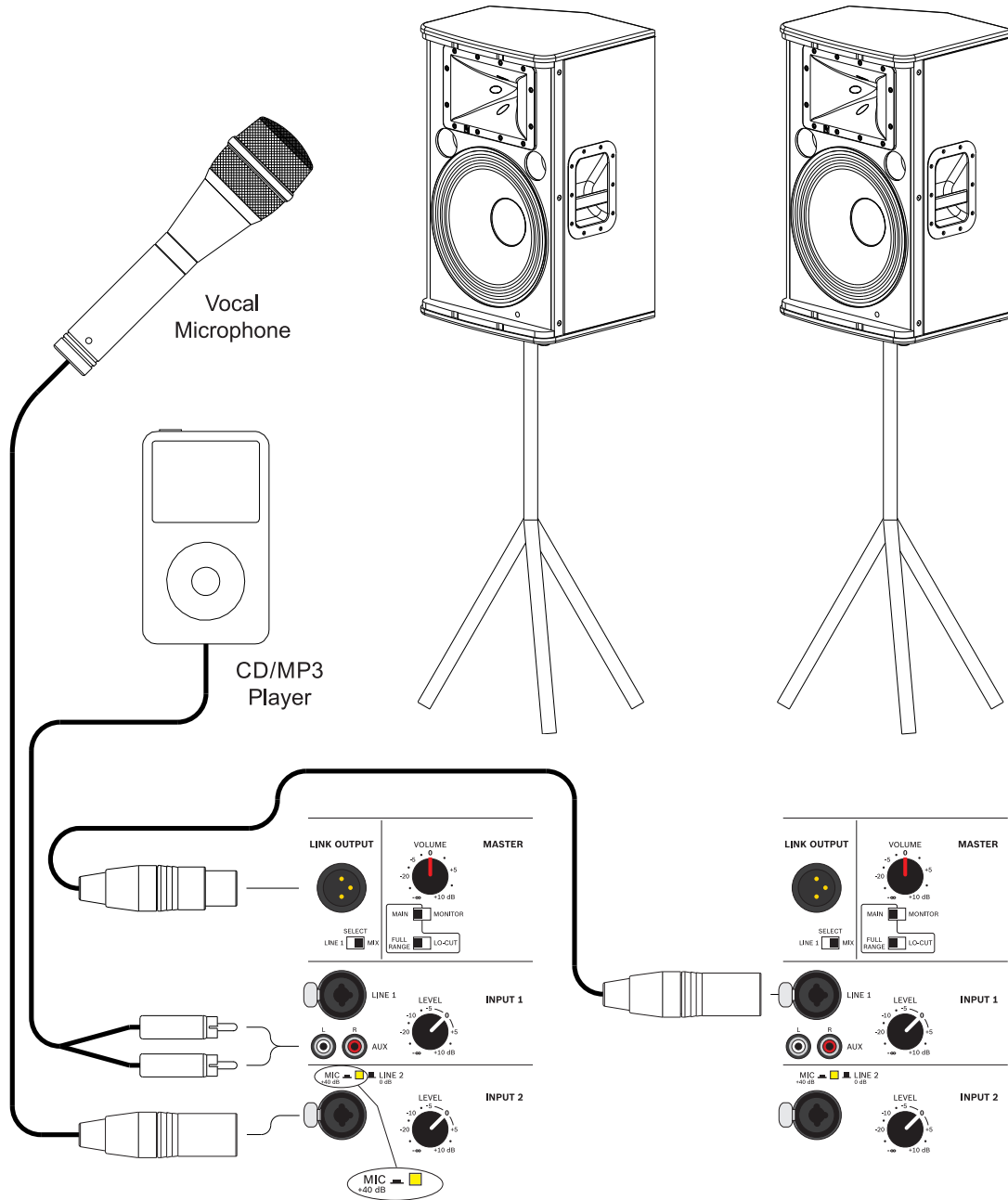
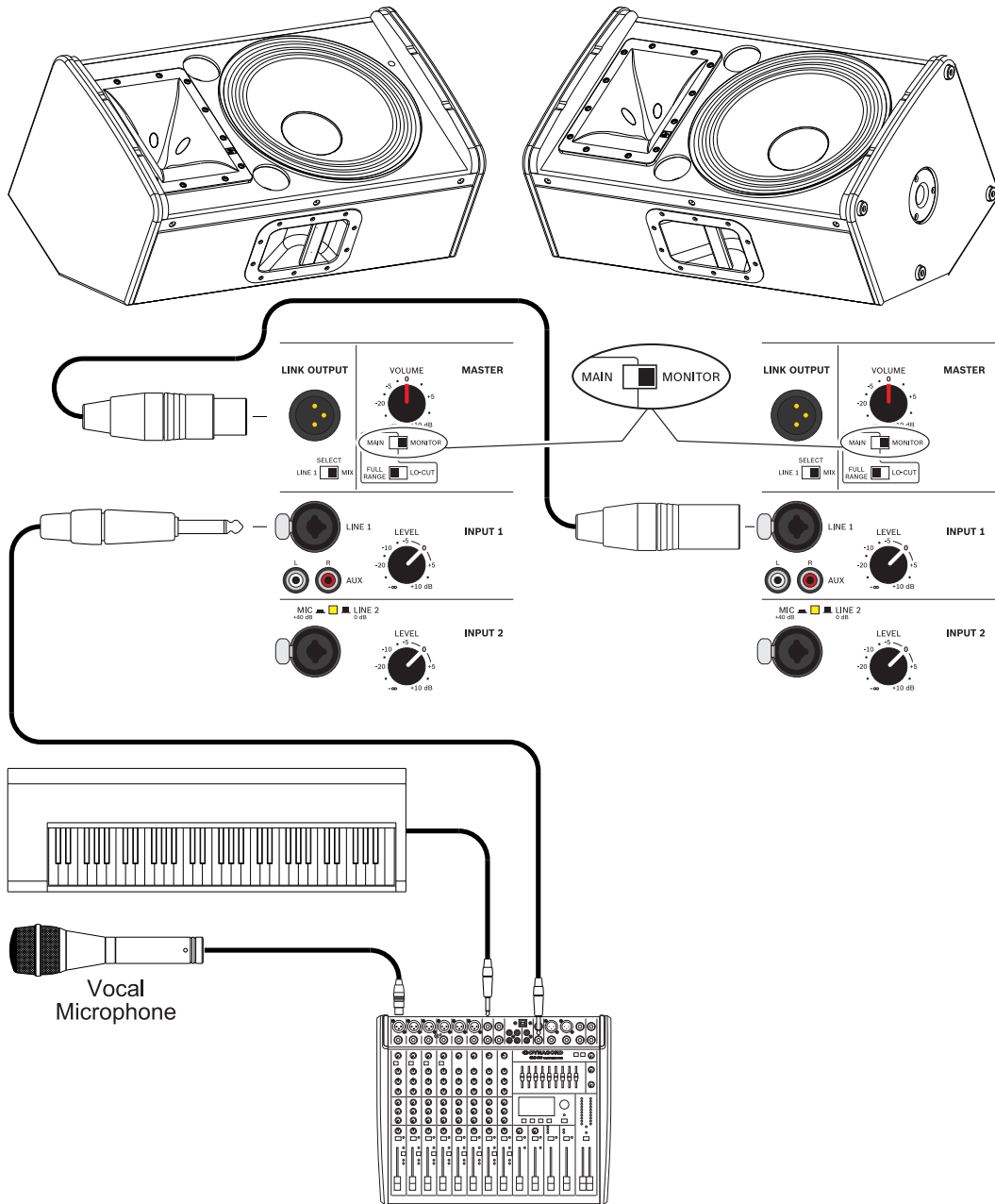


Illustration 6: Using full-range systems as Monitors (Dual A 112A)



12000 Portland Avenue South, Burnsville, MN 55337, USA
Phone: +1 952/844-4051, Fax: +1 952/884-0043

www.dynacord.com

© Bosch Communications Systems 10/2012
Part Number F01U270188 Vs 02

Europe, Africa, and Middle East only. For customer orders, contact Customer Service at:
+49 9421-706 0 Fax: +49 9421-706 265

Asia & Pacific only. For customer orders, contact Customer Service at:
+65 6571 2534 Fax: +65 6571 2699

For technical assistance, contact Technical Support at: **+49 9421-706 0**

Specifications subject to change without notice.