



MAIN APPLICATIONS

- Permanent installations in:
Theatres, Concert Halls, Clubs, Places of Worship,
Conference Rooms, Indoor Sports, Arenas & Stadiums
- Sound reinforcement for live events:
Touring, Bands, Orchestras

MAIN FEATURES

- Strong birch plywood cabinet
- Recommended amplifier 800+200W RMS
- 2 x 10" woofers with 2.5" coil
- 2 x custom B&C HF compression drivers with 1" throats
- 90°x10° max dispersion (dependant upon n. of elements)
- Control panel with 2 x speakon NL4
- High SPL capability: 135dB
- Integrated rigging hardware
- Completely Manufactured in Italy



PRODUCT DESCRIPTION

A true line array system encompassing advanced technology and refined Italian engineering, these are the principles behind MUSE, a new sound reinforcement solution from FBT that redefines the modern line array in terms of power, size, light weight, flexibility and ease of use. The MUSE 210L is the ideal choice when line array performance is needed and a fast and easy set up is a must. The modularity of the FBT MUSE 210L makes it extremely flexible for a wide range of applications, from a small two cabinets PA system to an elaborate line array system consisting of up to 16 FBT MUSE 210L cabinets along with multiple FBT SUBLINE 218S subs for large concert events. The system features 2 x 10" woofers with 2.5" voice coil and two custom B&C HF compression drivers with 1" throats. The FBT MUSE 210L shall meet the following performance criteria: Frequency Response of 60Hz to 18kHz, Frequency Sensitivity of 101dB for LF / 112dB for HF, Maximum SPL of 135dB, Recommended Power Amplifier 800W RMS LF and 200W RMS HF. The system not include an internal passive crossover. The FBT MUSE 210L cabinets coupling hardware is internally integrated and allows the suspension of 16 arrays with a splay angle between 0° - 10° with 1° step. FBT MUSE 210L cabinets are constructed from 0,59" (15mm) birch plywood, and incorporate two die cast aluminium handles; the front is protected by a heavy duty metal grille with anti-resonance spacers and exclusive synthetic cloth to protect the drivers. The FBT MUSE 210L provides a wide range of hardware accessories for flying and ground stacked configurations.

ELECTRICAL PERFORMANCE

System Type	2-way
Recommended Amplifier	800W LF + 200W RMS HF
Long Term Power	400W LF + 100W HF
Short Term Power (IEC 268-5)	1600W LF + 400W HF
Nominal Impedance	16 Ohm LF / 32 Ohm HF
Frequency Response @ -6dB	60Hz - 18kHz
Sensitivity (@1W, 1m)	101dB LF / 112dB HF
Maximum SPL	135dB
Dispersion	90° x 10° max dependant upon n° of elements
Recommended HP Filter	50Hz
Crossover Frequency	1kHz
Recommended External Filter	DLM26 with FBT presets

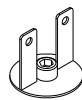
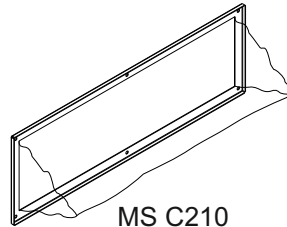
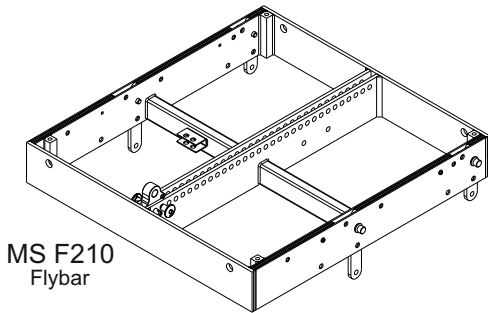
PHYSICAL

Low Frequency Woofer	2 x 10" - 2.5" coil
High Frequency Driver	2 x 1" - 1.7" coil
Input Connectors	2 x Speakon NL4 in&thru
Net Dimensions (WxHxD)	25.66" x 11.65" x 16.73"
	652 x 296 x 425mm
Shipping Dimensions (WxHxD)	31.10" x 14.76" x 20.47"
	790 x 375 x 520mm
Enclosure Material	Birch plywood

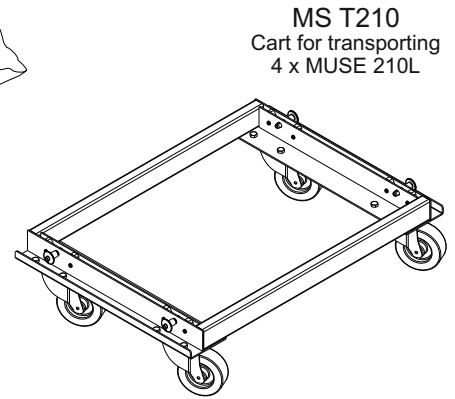
PRELIMINARY



ACCESSORIES



MS J210
Flybar bottom fixing support
for ground-stacked installation



DIMENSION DRAWING

