

WOOFER GDN 30/100/7

9 5151 112

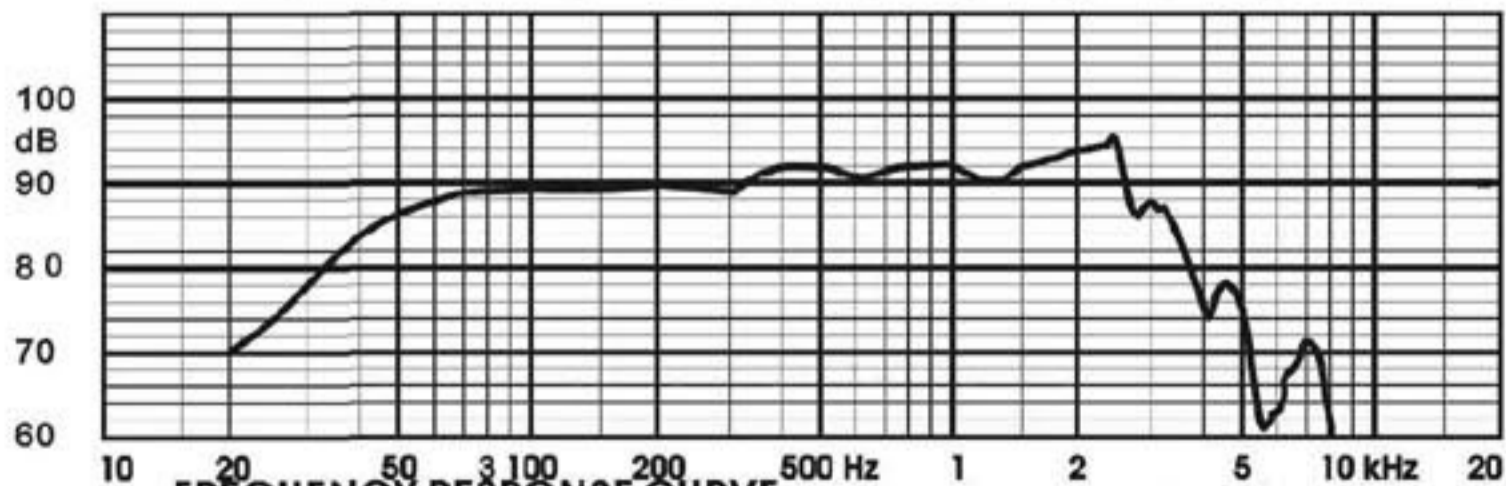
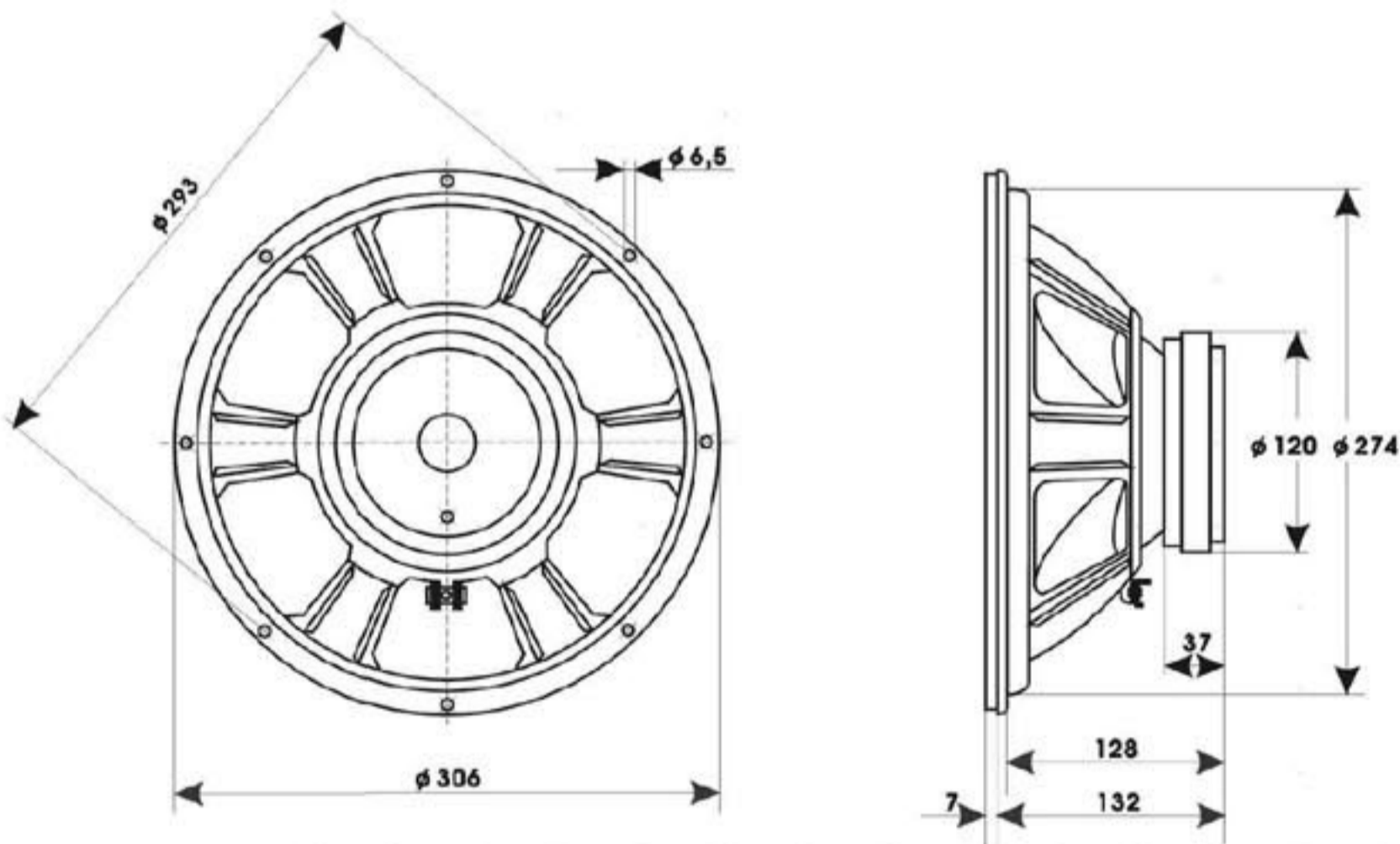
TECHNICAL DATA

Rated impedance	8	Ω
Voice coil resistance	6,4	Ω
Rated frequency range	up to 2000	Hz
Resonance frequency	24	Hz
Power handling capacity / enclosure 70 dm ³ , 100 h continuous /	100	W
Max. power	200	W
Sensitivity	90	dB
Flux density	0,78	T
Energy in air gap	537	mJ
Force factor - Bl	11,6	Tm
Piston area - S _D	0,048	m ²
Total moving mass - M _{MS}	0,047	kg
Compliance /loudspeaker unmounted/ - C _{MS}	103 x 10 ⁻⁵	m/N
Equivalent box volume - V _{AS}	0,34	m ³
Quality factor /loudspeaker unmounted/ - mechanical - Q _{MS}	2,457	
- electrical - Q _{ES}	0,33	
- total - Q _{TS}	0,3	
Air - gap	48/8/1,775	mm
Voice coil height	19,2	mm
Magnet		
- material	ferrite	
- dimensions	120/60/18	mm
- mass	0,76	kg
Mass of loudspeaker	3	kg

The loudspeaker has a paper cone, and foam surround and a nomex coil former.

AVAILABLE VERSIONS

- GDN 30/100/7 - 8 Ω , catalogue number 9 5151 112 02 - paper dust cap
- GDN 30/100/7 - 8 Ω , catalogue number 9 5151 111 02 - metallized dust cap.



Measured in anechoic room at 1W/1m. Loudspeaker mounted in sealed 70 dm³ enclosure.