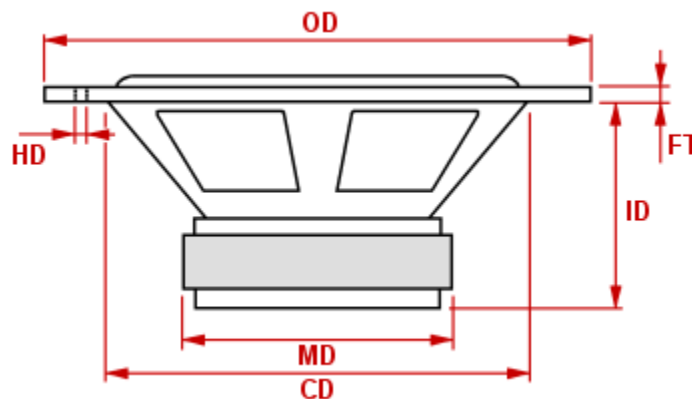




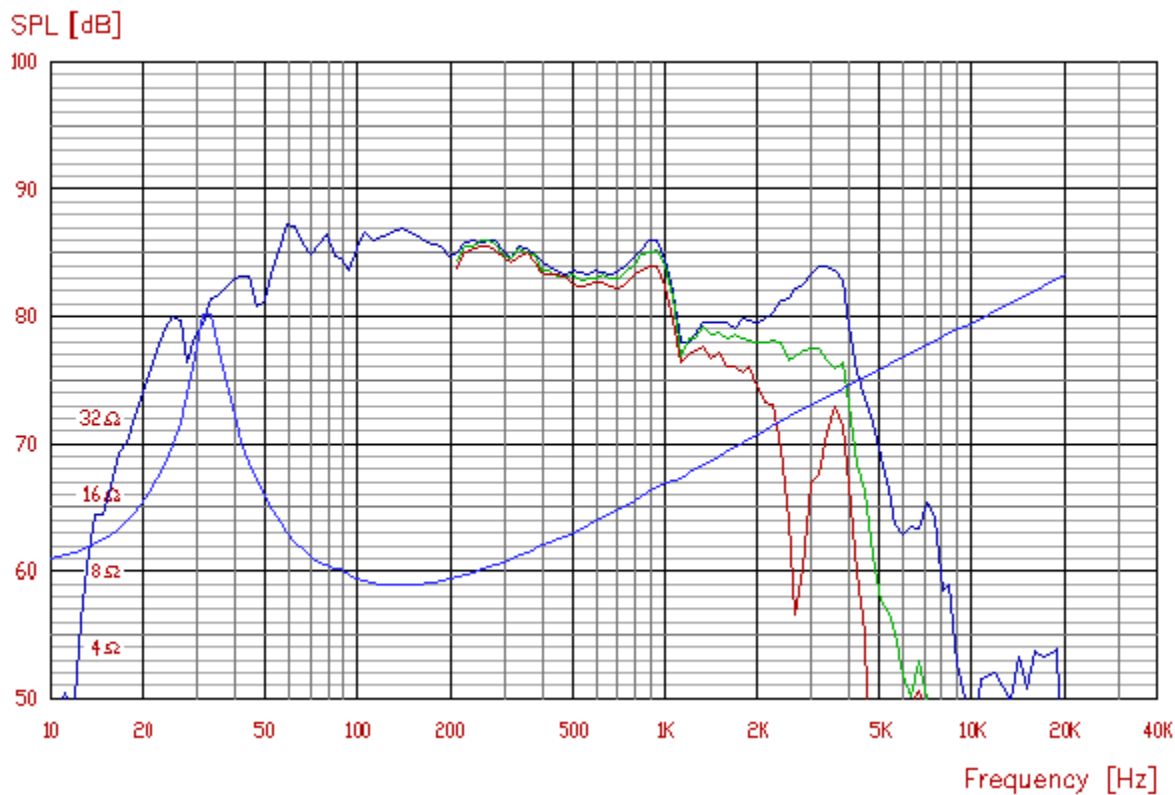
vifa

PL22WR09-08

Nominal impedance [ohm]	8
Voice coil resistance [ohm]	5.9
Nominal power [W]	125
Short term max power [W]	600
Long term max power [W]	350
Operating power [W]	11.2
Sensitivity [dB]	85.5
Frequency range [Hz]	25-500
Free air resonance [Hz]	27
Voice coil diameter [mm]	50
Voice coil height [mm]	16
Air gap height [mm]	8
Voice coil inductance [mH]	2.70
Eff. diaphragm Area [cm ²]	224
Moving mass [g]	43
Magnet weight [g]/[oz]	1050/37
Force factor [BI]	10.9
VAS [l]	56
Q _{ms}	5.65
Q _{es}	0.37
Q _{ts}	0.34



OD: 225 mm	CD: 186 mm
FT: 5 mm	ID: -
MD: -	HD: -



Frequency response: 2.83V / 1m