



# BlacklineX

Signature Sound For Portable + Installation



**Unite Your Audience**  
The Martin Audio Experience



## A REINVENTION FOR THE MODERN ERA

Founded in 1971, Martin Audio has a rich history at the upper echelons of professional sound reinforcement. Today, the award-winning MLA touring system is the first choice for outdoor festivals such as Glastonbury, and Martin Audio installations range from convention centres and churches to bars and prestige nightclubs throughout the world — with London's Ministry of Sound winning IDMA awards for Best Club Sound System Design over several consecutive years.

Launched in 1999, the original Blackline Series set the standard for affordable professional loudspeaker systems — becoming synonymous with sound quality and reliability to become the benchmark for live music venues, nightclubs and installations worldwide.





# BlacklineX

Now, with BlacklineX, Martin Audio's R&D team has engineered a classic suite of passive loudspeakers for the modern era. Delivering the signature sound of warmth, nuance and clarity but with improved overall performance at a price point not previously possible, BlacklineX is a clean, smart design with no compromise between the needs of installation and portability. Applications range from portable sound reinforcement and stage monitoring for live bands, DJ's and corporate events, to installations in nightclubs, bars, commercial spaces and HoW.

Comprising four two-way systems — from the ultra-compact X8 to the powerful X15 — and three subwoofers, including an unobtrusive slimline model, the multi-purpose BlacklineX Series raises the performance of loudspeaker systems in its class to a new level.

Each symmetrical, multi-angle full-range enclosure features a user-rotatable horn for horizontal or vertical orientation, and has a screw-free, cloth-backed steel grille. Comprehensive mounting options include wall bracket, eyebolt suspension and pole-mounting. Ergonomic handles at the rear of each full-range enclosure make for easy handling while maintaining clean lines.

All BlacklineX Series enclosures are constructed from durable plywood and finished with hard wearing black textured coating paint, with white and custom RAL colour options available to order.

Professional and affordable, BlacklineX puts Martin Audio signature sound within easy reach of musicians, DJ's and systems integrators — the Blackline heritage re-imagined for the modern era.





## FEATURES (FULL RANGE)

- Versatile, passive, two-way systems
- Durable plywood enclosures with textured finish
- User-rotatable horns
- Vertical and horizontal mounting options
- Screw-free, cloth-backed perforated steel grilles
- Symmetrical multi-angle enclosures for main PA/stage monitor use
- Integral ergonomic handles
- Removable pole-mount bungs maintain clean lines
- 8Ω nominal impedance
- Twin NL4 connectors
- Comprehensive mounting options including pole-mount, wall brackets and rigging inserts

## APPLICATIONS

- Sound reinforcement
- Live music clubs
- Bars, pubs and restaurants
- Nightclubs
- Corporate events and conferences
- Weddings and parties
- Secondary stages at festivals
- HoW
- Health clubs
- Retail outlets



## ADVANTAGES FOR RENTAL COMPANIES

- Signature sound
- Reliability
- Portability
- Competitive pricing

## ADVANTAGES FOR SYSTEMS INTEGRATORS AND INSTALLERS

- Signature sound
- Reliability
- Simple set-up and control
- Colour options
- Competitive pricing



## **X8 ULTRA-COMPACT FULL RANGE SYSTEM**

The X8 is an ultra-compact passive two-way system featuring an 8" (200mm)/2" (50mm) voice coil LF driver and a 1" (25mm) HF driver mounted on a 90° x 50° horn which can be easily rotated for horizontal or vertical orientation. Its very small size gives no indication of its high output capability.

As a stand-alone loudspeaker, it has a multitude of professional applications — from distributed sound reinforcement, HoW and AV events to frontfill/infill and use as a micro stage monitor. Complemented by a BlacklineX subwoofer, it is the ideal, simple-to-use system for portable applications and installations which call for an unobtrusive system that can deliver pristine sound over short and medium throw distances.

The X8 is constructed from durable plywood and fitted with a screw-free steel grille, M8 inserts for a wall bracket and eyebolt suspension, plus a pole-mount socket.



## **X10 COMPACT FULL-RANGE SYSTEM**

The X10 is a high performance yet very compact two-way passive loudspeaker system which utilises a 10" (250mm)/2.5" (63mm) voice coil LF driver and a 1" (25mm) exit HF compression driver with a 1.4" (35mm) polyimide diaphragm. The rotatable 90° x 50° HF horn has equal horizontal and vertical mouth dimensions for directivity control in both planes.

With a maximum SPL of 124dB @ 1m, it is uniquely placed to meet the foreground requirements of music bars and clubs that require upfront sound levels from a very compact enclosure. Use with a BlacklineX Series subwoofer will enable the X10 to operate as small dancefloor or sound reinforcement system that is remarkably powerful for its size, as well as being extremely portable.

The X10 is constructed from durable plywood and fitted with a screw-free steel grille, M8 inserts for a wall bracket and eyebolt suspension, plus a pole-mount socket.



## X15 HIGH-POWER FULL-RANGE SYSTEM

The X15 is a very high-power, passive two-way system designed for professional portable applications and installations that demand the ultimate in sonic performance from a single enclosure. With an accurately-defined 80° x 50° coverage pattern, it combines very high output capability with exceptional sonic performance and impact.

It features a powerful 15" (380mm)/3" (75mm) voice coil LF drive unit, and a 1" (25mm) exit HF compression driver with a 1.75" (44mm) polyimide diaphragm for extended high frequency response.

Its protective steel grille is a spring-fit into the sides of the enclosure for easy access to rotate the HF horn. The symmetrical, multi-angle enclosure is manufactured from durable plywood and coated in textured black paint. It is fitted with M8 inserts for a wall bracket and eyebolt suspension, plus a pole-mount socket.

## X12 COMPACT FULL-RANGE SYSTEM

The X12 fulfils the requirement for a compact system that can deliver high sound levels — either as a stand-alone system or supplemented by a BlacklineX subwoofer. Featuring a 12" (300mm) LF driver unit and a 1" (25mm) exit compression driver on a rotatable horn, its 80° x 50° dispersion pattern is ideal for medium throw applications.

The LF driver has a 2.5" (65mm) voice coil and a high BL motor, while the HF compression driver utilises a 1.75" (44mm) polyimide diaphragm for extended high frequency response.

The X12's enclosure is constructed from durable plywood and coated in black textured paint. For easy removal, its steel grille is a spring-fit into the sides of the enclosure. It is fitted with M8 inserts for a wall bracket and eyebolt suspension, plus a pole-mount socket with a removable bung that maintains clean lines when the X12 is used in install applications.



## X115 SUBWOOFER

The X115 is a very compact subwoofer designed to augment the low frequency performance of BlacklineX Series full-range systems. It comprises a long excursion 15" (380mm)/3" (75mm) voice coil driver in a bass reflex enclosure and can be used singly, stacked or flown via integral M10 inserts. Four large ports contribute to a reduction in air noise at high output levels. The enclosure is constructed from durable plywood with a textured paint finish and the driver is protected by an impact-resistant perforated steel grille which is pre-curved to resist damage. The X115 has a 35mm pole-mount fitting in the top surface and two side handles for easy handling.



## X118 SUBWOOFER

The X118 is a compact, high performance subwoofer for use with BlacklineX Series full-range loudspeakers. It extends the low frequency operating range of the combined system to 42Hz and provides exceptional low frequency impact. It can be used singly, stacked or flown via integral M10 insets and features a long-excursion 18" (460mm)/3" (75 mm) voice coil driver in a compact reflex enclosure. Its four reflex ports have a large frontal area to reduce turbulent air noise at very high levels. The X118 enclosure is constructed from durable plywood and finished in textured black paint. A perforated steel grille protects the driver, and the enclosure has a 35mm pole-mount fitting in the top surface and two side handles.





## X210 SUBWOOFER

The X210 is a slimline dual-driver subwoofer designed for situations that call for a visually unobtrusive enclosure. It can be used singly, stacked or flown via integral M10 inserts and its ultra-compact size makes it ideal for applications where space is limited. It features dual 10" (250mm)/2" (50mm) voice coil drivers and generously sized low frequency ports for reduced air noise. The enclosure is constructed from durable plywood with a textured paint finish and the drivers are protected by an impact-resistant perforated steel grille. It has twin ergonomic handles at the rear of the enclosure for easy handling.

## SYSTEM CONTROL

Designed as full-range passive systems, the X8, X10, X12 and X15 may be used without a controller. However, the EQ and limiter functions of a controller such as the Martin Audio DX0.5 will maximise their capabilities. When an X115, X118 or X210 subwoofer is added, crossover and EQ functions can be performed by the DX0.5.



## RECOMMENDED AMPLIFIERS

Product	Amplifier
X8	VIA2502 or VIA2004
X10	VIA2502 or VIA2004
X12	VIA2502 or VIA5002 or VIA5004
X15	VIA5002 or VIA5004
X115	VIA5002 or VIA5004
X118	VIA5002 or VIA5004
X210	VIA2502 or VIA5002 or VIA5004

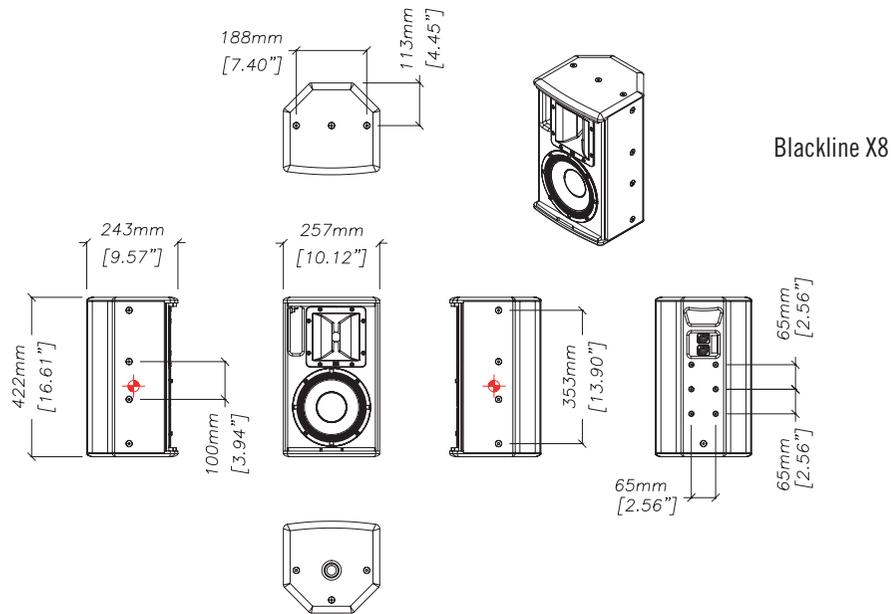
## ACCESSORIES

Each full-range model features an integral pole-mount socket with a removable bung/cover and multiple M8 inserts for wall-brackets and suspension eyebolts. All subwoofers are equipped with M10 inserts for eyebolt suspension and rubber feet on the base of the cabinet. The X115 and X118 have a 35mm pole-mount socket in their top surfaces.

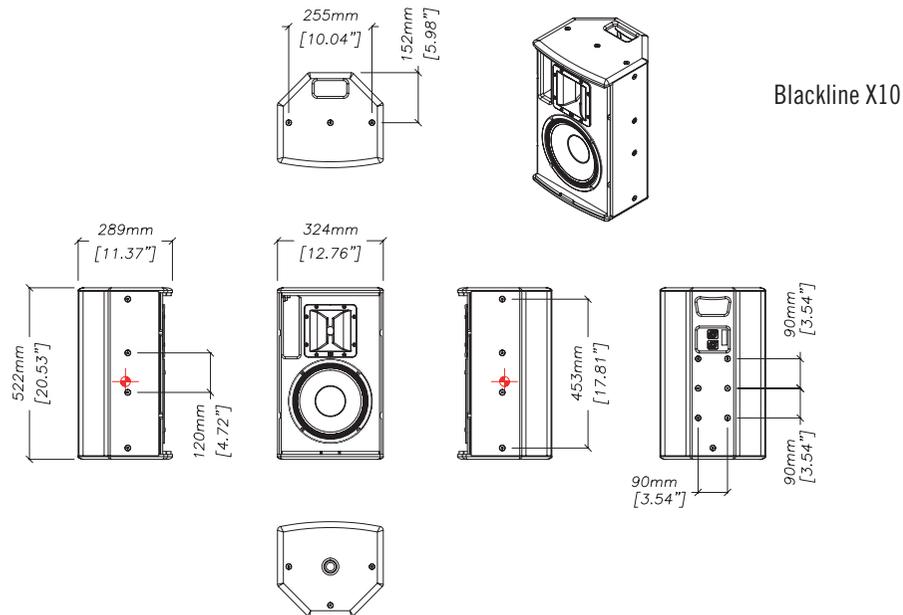




# TECHNICAL SPECIFICATIONS



Blackline X8



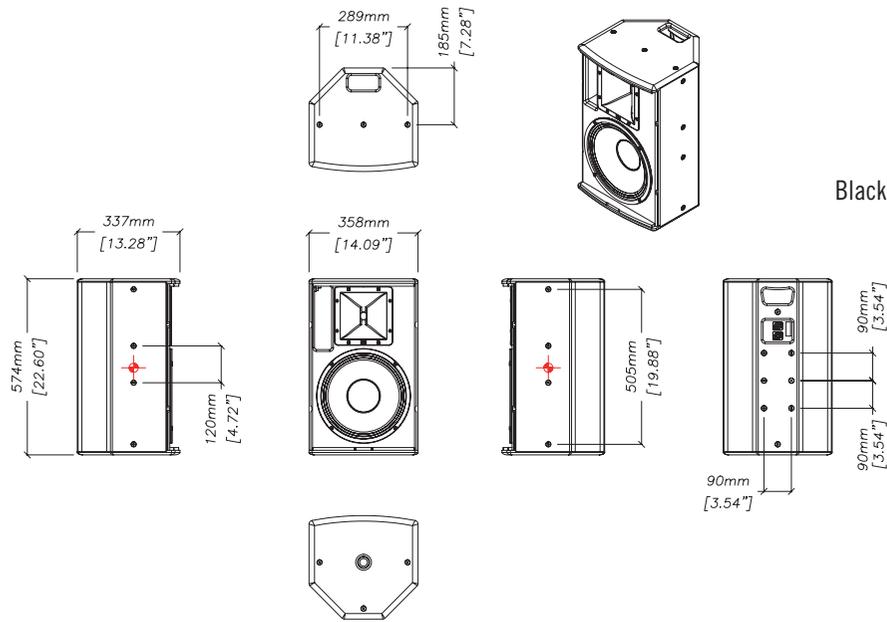
Blackline X10

## X8

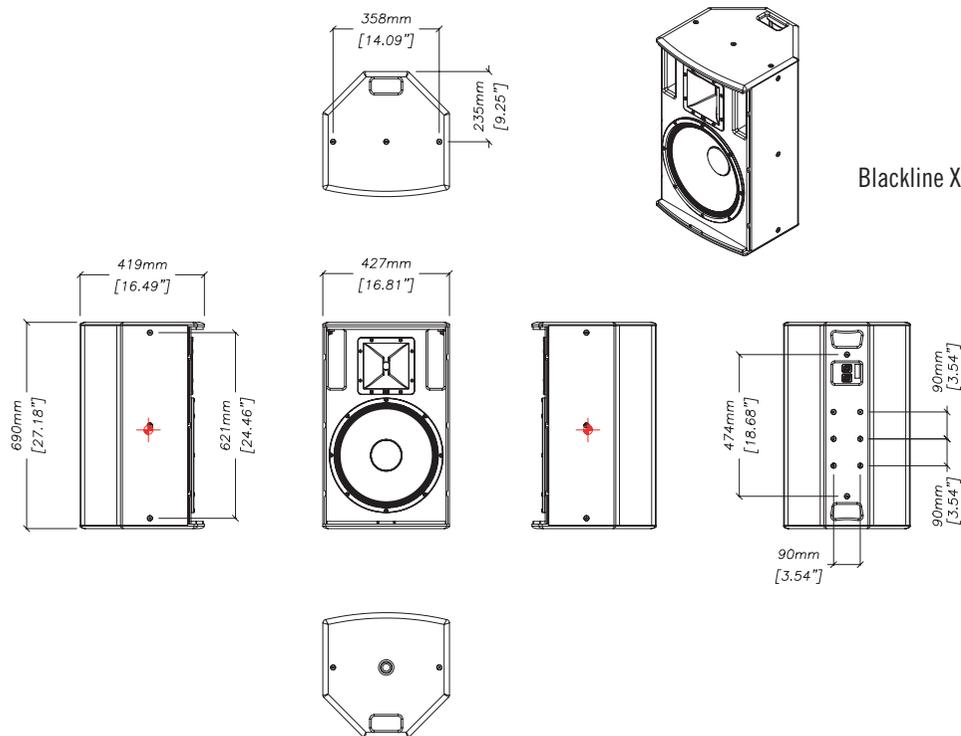
TYPE	Ultra-compact, passive two-way system
FREQUENCY RESPONSE (5)	70Hz-20kHz ± 3dB -10dB @ 60Hz
DRIVERS	LF: 8" (200mm)/2" (50mm) voice coil, ferrite motor system HF: 1" (25mm) exit/1" (25mm) voice coil, polyester dome compression driver
RATED POWER (2)	200W AES, 800W peak
RECOMMENDED AMPLIFIER	VIA2502/2004
SENSITIVITY (8)	92dB
MAXIMUM SPL (9)	115dB continuous, 121dB peak
NOMINAL IMPEDANCE	8 ohms
DISPERSION (-6dB)	90° H x 50° V (user-rotatable)
CROSSOVER	2.9kHz passive
ENCLOSURE	Multi-angle birch/poplar ply
FINISH	Black textured paint
PROTECTIVE GRILLE	Black perforated steel with scrim cloth backing
CONNECTORS	2 x NL4 type
PIN CONNECTIONS (INPUT)	1+/-
PIN CONNECTIONS (LINK)	1+/- to 1+/-
FITTINGS	13 x M8, 6 x M6 inserts, pole-mount socket, 1 x pocket handle
DIMENSIONS	(W) 257mm x (H) 422mm x (D) 243mm (W) 10.1ins x (H) 16.6ins x (D) 9.6ins
WEIGHT	8kg (17.6lbs)
ACCESSORIES	Wall bracket, eyebolts

## X10

TYPE	Compact, passive two-way system
FREQUENCY RESPONSE (5)	65Hz-20kHz ± 3dB -10dB @ 55Hz
DRIVERS	LF: 10" (250mm)/2.5" (63.5mm) voice coil, ferrite motor system HF: 1" (25mm) exit/1.4" (35mm) voice coil, polyimide dome compression driver
RATED POWER (2)	250W AES, 1000W peak
RECOMMENDED AMPLIFIER	VIA2502/2004
SENSITIVITY (8)	94dB
MAXIMUM SPL (9)	118dB continuous, 124dB peak
NOMINAL IMPEDANCE	8 ohms
DISPERSION (-6dB)	90° H x 50° V (user-rotatable)
CROSSOVER	2.4kHz passive
ENCLOSURE	Multi-angle birch/poplar ply
FINISH	Black textured paint
PROTECTIVE GRILLE	Black perforated steel with scrim cloth backing
CONNECTORS	2 x NL4 type
PIN CONNECTIONS (INPUT)	1+/-
PIN CONNECTIONS (LINK)	1+/- to 1+/-
FITTINGS	19 x M8 inserts, pole-mount socket, 1 x bar handle
DIMENSIONS	(W) 324mm x (H) 522mm x (D) 289mm (W) 12.8ins x (H) 20.6ins x (D) 11.4ins
WEIGHT	14kg (30.9lbs)
ACCESSORIES	Wall bracket, eyebolts



Blackline X12



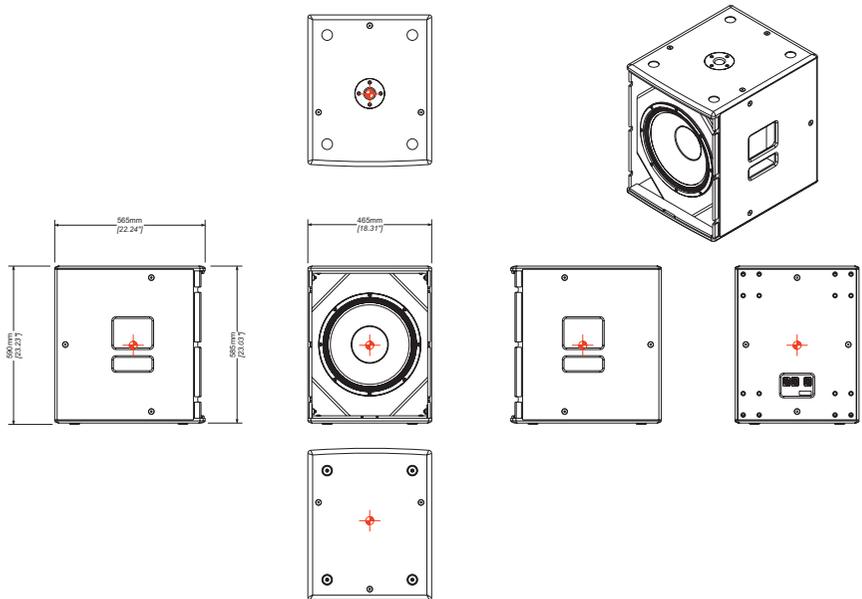
Blackline X15

## X12

TYPE	Compact, passive two-way system
FREQUENCY RESPONSE (5)	62Hz-20kHz ± 3dB -10dB @ 50Hz
DRIVERS	LF: 12" (300mm)/2.5" (63.5mm) voice coil, ferrite motor system HF: 1" (25mm) exit/1.7" (44mm) voice coil, polyimide dome compression driver
RATED POWER (2)	300W AES, 1200W peak
RECOMMENDED AMPLIFIER	VIA2502/5002/5004
SENSITIVITY (8)	97dB
MAXIMUM SPL (9)	122dB continuous, 128dB peak
NOMINAL IMPEDANCE	8 ohms
DISPERSION (-6dB)	80° H x 50° V (user-rotatable)
CROSSOVER	2.3kHz passive
ENCLOSURE	Multi-angle birch/poplar ply
FINISH	Black textured paint
PROTECTIVE GRILLE	Black perforated steel with scrim cloth backing
CONNECTORS	2 x NL4 type
PIN CONNECTIONS (INPUT)	1+/-
PIN CONNECTIONS (LINK)	1+/- to 1+/-
FITTINGS	20 x M8 inserts, pole-mount socket, 1 x bar handle
DIMENSIONS	(W) 358mm x (H) 574mm x (D) 337mm (W) 14.1ins x (H) 22.6ins x (D) 13.7ins
WEIGHT	17kg (37.5lbs)
ACCESSORIES	Wall bracket, eyebolts

## X15

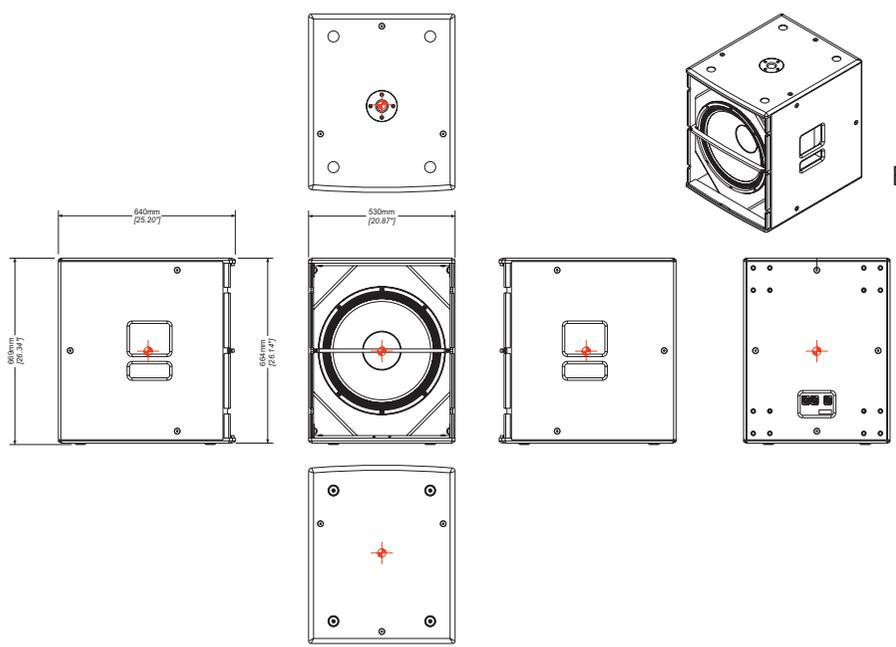
TYPE	High-power, passive two-way system
FREQUENCY RESPONSE (5)	55Hz-20kHz ± 3dB -10dB @ 45Hz
DRIVERS	LF: 15" (380mm)/3" (75mm) voice coil, ferrite motor system HF: 1" (25mm) exit/1.7" (44mm) voice coil, polyimide dome compression driver
RATED POWER (2)	400W AES, 1600W peak
RECOMMENDED AMPLIFIER	VIA5002/5004
SENSITIVITY (8)	99dB
MAXIMUM SPL (9)	125dB continuous, 131dB peak
NOMINAL IMPEDANCE	8 ohms
DISPERSION (-6dB)	80° H x 50° V (user-rotatable)
CROSSOVER	2.2kHz passive
ENCLOSURE	Multi-angle birch/poplar ply
FINISH	Black textured paint
PROTECTIVE GRILLE	Black perforated steel with scrim cloth backing
CONNECTORS	2 x NL4 type
PIN CONNECTIONS (INPUT)	1+/-
PIN CONNECTIONS (LINK)	1+/- to 1+/-
FITTINGS	19 x M8 inserts, pole-mount socket, 2 x bar handles
DIMENSIONS	(W) 427mm x (H) 690mm x (D) 419mm (W) 16.8ins x (H) 27.2ins x (D) 16.5ins
WEIGHT	24kg (52.9lbs)
ACCESSORIES	Wall bracket, eyebolts



Blackline X115

## X115

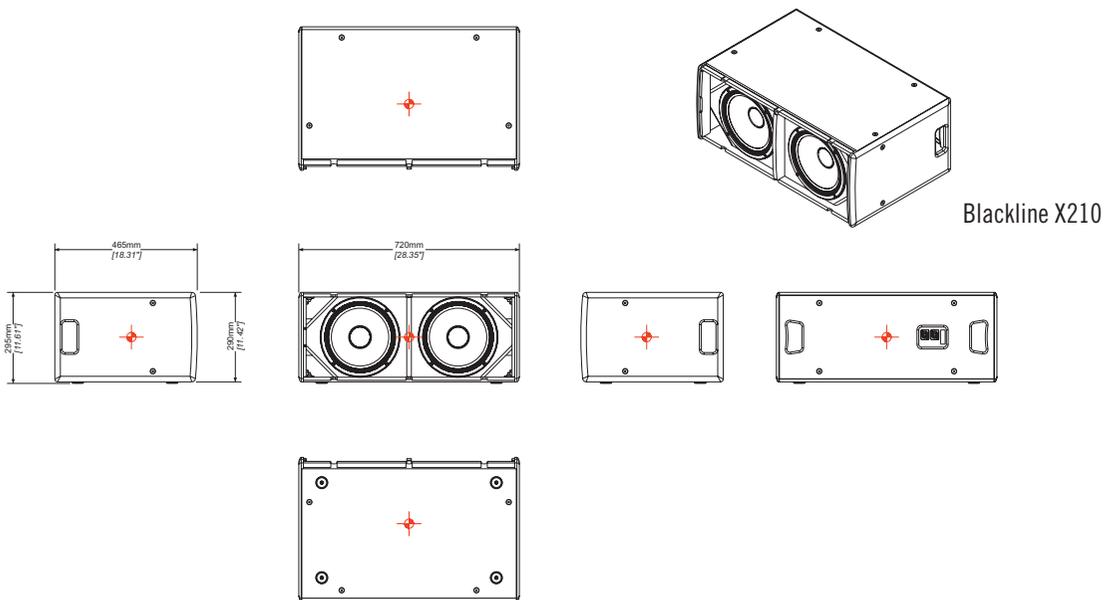
TYPE	Compact, direct radiating subwoofer
FREQUENCY RESPONSE (1)	45Hz-150Hz ± 3dB -10dB @ 40Hz
DRIVER	15" (380mm)/3" (75mm) voice coil, long excursion, ferrite magnet
RATED POWER (2)	500W AES, 2000W peak
RECOMMENDED AMPLIFIER	VIA5002/5004
SENSITIVITY (10)	102dB
MAXIMUM SPL (9)	129dB continuous, 135dB peak (half space)
NOMINAL IMPEDANCE	8 ohms
DISPERSION (-6dB)	Omnidirectional
CROSSOVER	80-120Hz active
ENCLOSURE	Birch/poplar ply
FINISH	Black textured paint
PROTECTIVE GRILLE	Black perforated steel
CONNECTORS	3 x NL4 type
PIN CONNECTIONS (INPUT)	1+/-
PIN CONNECTIONS (LINK)	A: 1+/- to 1+/-, B: 2+/- to 1+/-
FITTINGS	16 x M10 inserts, pole-mount socket 2 x bar handles, provision for castors
DIMENSIONS (INCL FEET)	(W) 465mm x (H) 590mm x (D) 565mm (W) 18.3ins x (H) 23.2ins x (D) 22.2ins
WEIGHT	27kg (59.5lbs)



Blackline X118

## X118

TYPE	Compact, direct radiating subwoofer
FREQUENCY RESPONSE (1)	42Hz-150Hz ± 3dB -10dB @ 38Hz
DRIVER	18" (460mm)/3" (75mm) voice coil, long excursion, ferrite magnet
RATED POWER (2)	500W AES, 2000W peak
RECOMMENDED AMPLIFIER	VIA5002/5004
SENSITIVITY (10)	104dB
MAXIMUM SPL (9)	131dB continuous, 137dB peak (half space)
NOMINAL IMPEDANCE	8 ohms
DISPERSION (-6dB)	Omnidirectional
CROSSOVER	80-120Hz active
ENCLOSURE	Birch/poplar ply
FINISH	Black textured paint
PROTECTIVE GRILLE	Black perforated steel
CONNECTORS	3 x NL4 type
PIN CONNECTIONS (INPUT)	1+/-
PIN CONNECTIONS (LINK)	A: 1+/- to 1+/-, B: 2+/- to 1+/-
FITTINGS	16 x M10 inserts, pole-mount socket 2 x bar handles, provision for castors
DIMENSIONS (INCL FEET)	(W) 530mm x (H) 669mm x (D) 640mm (W) 20.9ins x (H) 26.3ins x (D) 25.2ins
WEIGHT	33kg (72.7lbs)



## X210

TYPE	Slimline, direct radiating subwoofer
FREQUENCY RESPONSE (1)	50Hz-150Hz $\pm$ 3dB -10dB @ 42Hz
DRIVER	2 x 10" (250mm)/2" (50mm) voice coil, long excursion, ferrite magnet
RATED POWER (2)	500W AES, 2000W peak
RECOMMENDED AMPLIFIER	VIA2502/5002/5004
SENSITIVITY (10)	103dB
MAXIMUM SPL (9)	127dB continuous, 133dB peak (half space)
NOMINAL IMPEDANCE	4 ohms
DISPERSION (-6dB)	Omnidirectional
CROSSOVER	80-120Hz active
ENCLOSURE	Birch/poplar ply
FINISH	Black textured paint
PROTECTIVE GRILLE	Black perforated steel
CONNECTORS	2 x NL4 type
PIN CONNECTIONS (INPUT)	1+/-
PIN CONNECTIONS (LINK)	1+/- to 1+/-
FITTINGS	16 x M8 inserts, 2 x bar handles
DIMENSIONS (INCL FEET)	(W) 720mm x (H) 295mm x (D) 465mm (W) 28.3ins x (H) 11.6ins x (D) 18.3ins
WEIGHT	20kg (44.1lbs)

### Notes

- (1) Measured on-axis in half (2pi) space at 2 metres, then referred to 1 metre.
- (2) AES Standard ANSI S4.26-1984.
- (3) Measured in half (2pi) space at 2 metres with 1 watt input, using band limited pink noise, then referred to 1 metre.
- (4) Measured in half (2pi) space at 2 metres using band limited pink noise, then referred to 1 metre.
- (5) Measured on-axis in open (4pi) space at 2 metres, then referred to 1 metre.
- (6) Measured in open (4pi) space at 2 metres with 1 watt input, using band limited pink noise, then referred to 1 metre.
- (7) Measured in open (4pi) space at 2 metres using band limited pink noise, then referred to 1 metre.
- (8) Measured in open (4pi) space at 2 metres with 2.83v input, using band limited pink noise, then referred to 1 metre.
- (9) Calculated at 1 metre.
- (10) Measured in half (2pi) space at 2 metres with 2.83V input, using band limited pink noise, then referred to 1 metre.



**Martin Audio Limited**

Century Point

Halifax Road

Cressex Business Park

High Wycombe

Buckinghamshire

HP12 3SL

England

**FOR SALES ENQUIRIES:**

**UK**

Telephone: +44 (0)1494 535312

E-mail: [info@martin-audio.com](mailto:info@martin-audio.com)

**NORTH AMERICA**

Telephone: 818 649 7776

All information is Copyright © 2017 Martin Audio Ltd.

Martin Audio, the Martin Audio logo and Hybrid are registered trademarks of Martin Audio Ltd. in the United Kingdom, United States and other countries; all other Martin Audio trademarks are the property of Martin Audio Ltd.

[www.martin-audio.com](http://www.martin-audio.com)



**Unite Your Audience**  
The Martin Audio Experience

Version 1.2