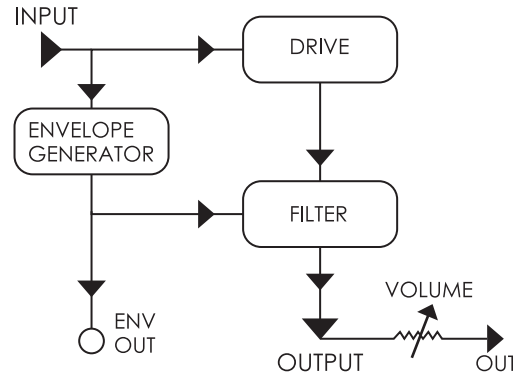


EPSILON

DISTORTION ENVELOPE FILTER

Epsilon is an 100% analog effect pedal. It is consisted of 3 parts. A drive circuit, a 2-pole resonating state variable filter and a signal to envelope generator.



ANALOG
IS ALL YOU NEED

NOTES

- Epsilon's envelope generator on the default setting, will deliver 0,9-5 V to the envelope out jack. Make sure, before you plug it in other devices, that their specs can accept such voltage values. We do not take any responsibility for possible damages. You can change the envelope's output voltage via a DIP trimmer, located inside the epsilon.

All OFF -> No envelope

1 ON -> 1,5-7,8 V

2 ON -> 0,7-4 V

3 ON -> 0,6-3,2 V

2,3 ON -> 0,9-5 V

1,2 ON -> 1,5-7,8 V

All ON -> 1,5-7,8 V

