

RAM

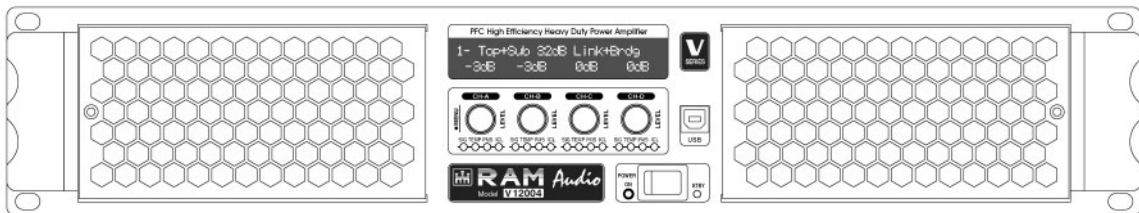
Audio[®]

Professional Power Amplifiers

6000-9000-12000

9004-9044-12004-12044

V Series



OPERATION MANUAL

NOTICE D'EMPLOI

BEDIENUNGSANLEITUNG



SAFETY PRECAUTIONS

SICHERHEITSHINWEISE

AVERTISSEMENTS

WARNING:

CAUTION

**RISK OF ELECTRIC SHOCK
DO NOT OPEN**

To avoid fire or electrocution risk do not expose the unit to rain or moisture.

To avoid electric shock, do not open the unit. No user serviceable parts inside. In the case of disfunction, have the unit checked by qualified agents.

Class I device.

ACHTUNG!

VORSICHT

**GEFAHR EINES
ELEKTRISCHEN SCHLAGES.
NICHT ÖFFNEN!**

Um Brand oder elektrische Schläge zu vermeiden, darf diese Einheit keiner starken Luftfeuchtigkeit oder Regen ausgesetzt werden.

Um elektrische Schläge zu vermeiden, öffnen Sie diese Einheit nicht. Bei Reparaturbedarf wenden Sie sich an qualifiziertes Personal.

Es handelt sich um ein Gerät der Klasse I.

RÈGLES DE SÉCURITÉ:

ATTENTION

**RISQUE DE CHOC ÉLECTRIQUE
NE PAS OUVRIR**

Pour écarter tout risque d'incendie ou d'électrocution, ne pas exposer l'appareil à la pluie ni à l'humidité.

Afin d'éviter tout risque, ne pas ouvrir l'appareil. Ne confier l'entretien de l'appareil qu'à du personnel technique qualifié et agréé.

Appareil de Classe I.

IMPORTANT:

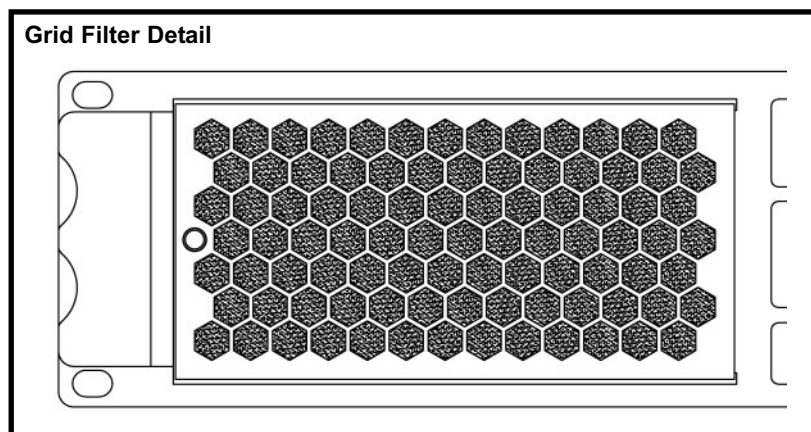
Clean the front panel filters regularly. Extract the filters removing the front panel grid unscrewing the thumbscrews placed at the sides of the grid. Clean the filters using water and detergent. Place the grid filter introducing first the internal side and screwing the thumbscrew.

IMPORTANT:

Clean the front panel filters regularly. Extract the filters removing the front panel grid unscrewing the thumbscrews placed at the sides of the grid. Clean the filters using water and detergent. Place the grid filter introducing first the internal side and screwing the thumbscrew.

IMPORTANT:

Clean the front panel filters regularly. Extract the filters removing the front panel grid unscrewing the thumbscrews placed at the sides of the grid. Clean the filters using water and detergent. Place the grid filter introducing first the internal side and screwing the thumbscrew.



0 Safety Precautions**1 General Information**

- 1.1 Introduction
- 1.2 Main Characteristics

2 Controls: Where and What?

- 2.1 Front Panel
- 2.2 Rear Panel

3 Installation and Operation

- 3.1 Connections
 - 3.1.1 Dual Channel Mode
 - 3.1.2 Link Channel Mode
 - 3.1.3 Bridge Channel Mode
- 3.2 Configuration
- 3.3 Troubleshooting

4 Technical Specifications

- 4.1 Protection Systems
- 4.2 Data

0 Sicherheitshinweise**1 Allgemeine Anweisungen**

- 1.1 Einleitung
- 1.2 Allgemeine Eigenschaften

2 Lokalisierung der Funktionen

- 2.1 Frontplatte
- 2.2 Rückplatte

3 Anschluss- und Inbetriebnahme

- 3.1 Anschlüsse
 - 3.1.1 Dual Kanalmodus
 - 3.1.2 Link Kanalmodus
 - 3.1.3 Bridge Kanalmodus
- 3.2 Konfiguration
- 3.3 Problemlösung

4 Technische Spezifikationen

- 4.1 Schutzschaltungssysteme
- 4.2 Technische Daten

0 Avertissements**1 Informations Générales**

- 1.1 Introduction
- 1.2 Caractéristiques générales

2 Commandes et fonctions

- 2.1 Panneau avant
- 2.2 Panneau arrière

3 Installation et mise en route

- 3.1 Branchements
 - 3.1.1 Mode DUAL
 - 3.1.2 Mode LINK
 - 3.1.3 Mode BRIDGE
- 3.2 Configuration
- 3.3 Dysfonctionnements éventuels et dépannage.

4 Spécifications

- 4.1 Systèmes de Protection
- 4.2 Données techniques

©2011 by C.E. Studio-2 s.l.
Pol.Ind. La Figuera
C/Rosa de Luxemburgo nº34
46970 Alaquas - Valencia - SPAIN

Phone: +34 96 127 30 54
Fax: +34 96 127 30 56

<http://www.ramaudio.com>
e-mail: support@ramaudio.com

P-5435-634 QXPDQXDoc 4/11

RAM Audio®, **PMS**™, **SSP**™, **ICL**™, **FCM**™ and **QuantaPulse**™ are registered trademarks of C.E. Studio-2 s.l.. All other names are trademarks of their respective companies.

1.1 Introduction

The V Series devices feature two or four channel models, ready for rough handling in the touring world. For this purpose, V Series amps implement oversized high efficiency regulated power supply with PFC front end to deliver their full performances independently of mains status. This together with oversized high efficiency audio power stage, forced front to back cooling through a component-free path with removable front panel dust filters, improved rugged mechanical design with even weight distribution, full digital control from LCD display on the front panel... Resulting in: just power, reliability and robustness for your touring gigs!

1.2 Main Characteristics

- PFC QuantaPulse™ Regulated Dual SMPS
- Digital Control with extra large LCD display user interface
- Channel Temperature and Output Level Monitor in the LCD
- USB port for firmware update and DSP control
- 25 position Gain, Bridge mode, Input Links and ICL, front panel configurable
- Digital Potentiometers with Encoder control
- RAM Audio Power Management System
- Hi Efficiency, Heavy Duty Audio Power section for extreme use
- Easily removable front panel dust filters
- Industry standard Neutrik® XLR and Speakon® connectors
- Optional low latency 24bits 96kHz high performance DSP with post-DSP signal links and Ethernet control. It features up to 70 meters input delay.
- Optional EtherRAM II Ethernet monitor and control system
- Optional EtherSound™/CobraNet™ audio transport and AES/EBU Digital input

Controls: Where and What?

Lokalisierung der Funktionen

Commandes et Fonctions

2.1 Front Panel

See Figure 1

- 1 **Configuration and signal attenuation level control knobs:** Permit independent control of each channel's attenuation and change the amplifier configuration. See page 10.
- 2 **SIGNAL:** This LED indicates presence of signal at the inputs.
TEMP: This LED shows temperature protection is active.
PMS: LED indicating PMS in operation (see page 13)
ICL: LED indicating Intelligent Clip Limiter in operation (see page 13).
- 3 **Main Power Switch:**
Position I: Connects the amplifier's current feed. (Blue LED on).
Position O disconnects the Power.
Position II (optional): Stand-by Mode. The Amp's Power is activated remotely via Ethernet. (Amber LED).
- 4 **Display:** See page 10.
- 5 **USB Connector** for firmware upgrade and optional DSP control.

2.1 Frontplatte

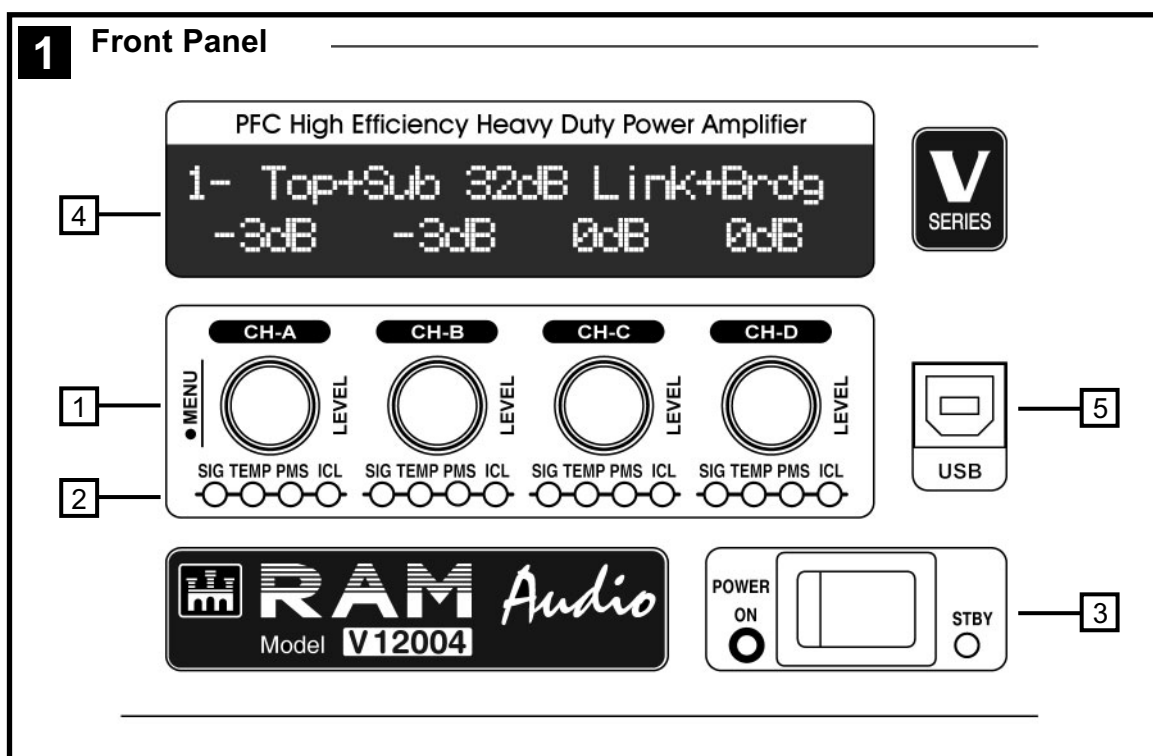
Siehe Fig. 1

- 1 **Lautstärkereglern:** diese ermöglichen die Signalstärke am Ausgang. siehe Seite 10.
- 2 **SIGNAL:** Wachanzeige des eingehenden Signals.
TEMP: LED-Anzeige leuchtet wenn der Schutz vor Überwärmung eingeschaltet ist.
PMS: Die LED zeigt an, dass das PMS in Betrieb ist (siehe Seite 13)
ICL: Die LED zeigt an, dass der Intelligent Cliplimiter arbeitet (siehe Seite 13).
- 3 **Beleuchteter Hauptschalter:**
Position I: Schaltet die Endstufe ein. (Blaue LED leuchtet).
Position O Schaltet die Endstufe aus.
Position II (optional): Stand-by Modus. Die Endstufe kann über Ethernet eingeschaltet werden. (Gelbe LED).
- 4 **Display:** siehe Seite 10.
- 5 **USB Connector** für Firmware-Upgrade und optionales DSP-Steuerung.

2.1 Panneau Avant

Voir Fig. 1

- 1 **Configuration et Atténuateurs de signal d'entrée crantés:** réglage du niveau d'entrée indépendant sur chaque canal. Voir page 10.
- 2 **SIGNAL:** indique la présence de signaux d'entrée.
TEMP: signalisation par LED de température excessive.
PMS: signalisation par LED de le fonctionnement de le système PMS (voir page 13).
ICL: signalisation par LED de le fonctionnement de le système ICL (voir page 13).
- 3 **Power:**
Position I: Connecte l'appareil au courant, (LED Bleue allumée).
Position O: Interruption de la mise sous tension.
Position II (optional): Mode stand-by, la mise sous tension s'effectue a distance via Ethernet, (LED Orange allumée).
- 4 **Display:** voir page 10.
- 5 **USB Connector** for firmware upgrade and optional DSP control.



Controls: Where and What?

Lokalisierung der Funktionen

Commandes et Fonctions

2.2 Rear Panel

2.2 Rückplatte

2.2 Panneau Arrière

See Figure 2

Siehe Fig. 2

Voir Fig. 2

1 Signal Input: Female Neutrik® XLR Connectors for the amplifier's signal input.

1 Eingangssignal: Neutrik®-XLR Buchsen für den Signaleingang der Endstufe.

1 Connecteurs Neutrik® XLR (femelle) d'entrée des signaux de modulation.

Signal Link: Male Neutrik® XLR Connectors for daisy chaining input signal to other amplifiers (parallel connected to female input connectors).

Signallink: Parallele XLR-Ausgänge zur Zusammenschaltung der Eingangssignale mehrerer Endstufen.

Connecteurs Neutrik® XLR (mâle), sortie des signaux d'entrée pour la mise en parallèle d'autres amplis.

2 Speaker connectors: Neutrik® Speakon to connect the speakers.

2 Lautsprecheranschluss: Neutrik Speakonstecker zum Anschluss an Lautsprecher.

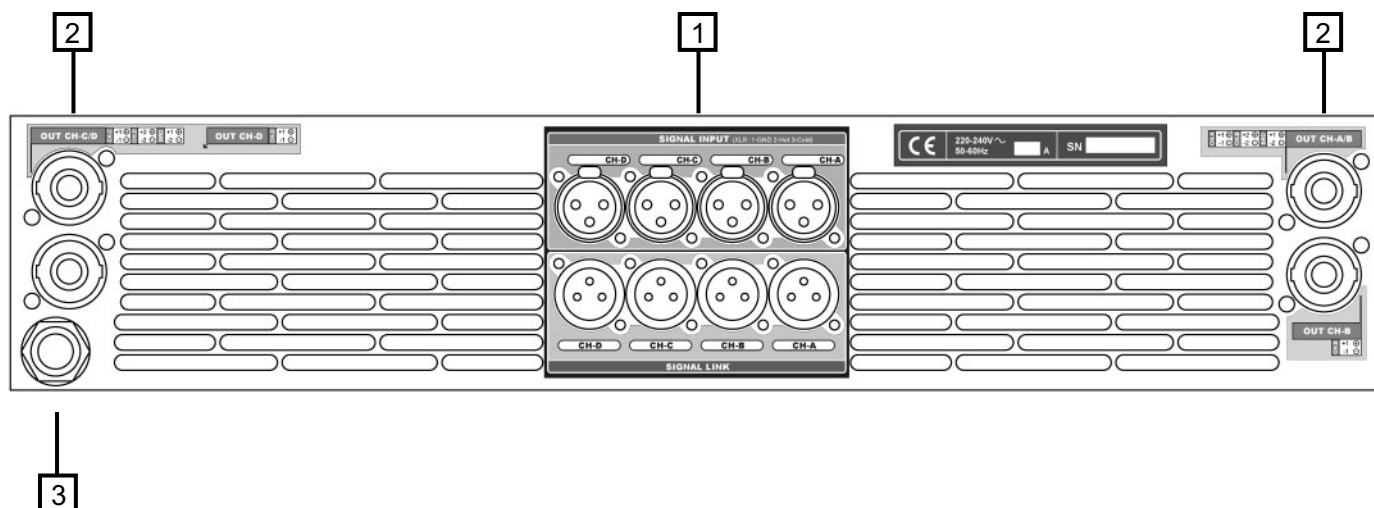
2 Speakon de sortie pour le branchement des HP.

3 Mains Power Cord: to connect the amplifier to the mains network. The colour code is:
Blue: Neutral
Brown: Live, single phase
Yellow-green: Protective Earth

3 Mains Power Cord: to connect the amplifier to the mains network. The color code is:
Blue: Neutral
Brown: Live, single phase
Yellow-green: Protective Earth

3 Mains Power Cord: to connect the amplifier to the mains network. The color code is:
Blue: Neutral
Brown: Live, single phase
Yellow-green: Protective Earth

2 Rear Panel



Installation and Operation

Anschluss und Inbetriebnahme

Installation et mise en service

3.1 Connections

The Power switch must always be on the "Off" position before plugging the amp to a properly earthed mains socket (170-265V AC). The colour code is:

- Blue: Neutral
- Brown: Live, single phase
- Yellow-green: Protective Earth

The input signal fed to the amplifier can be either balanced or un-balanced. The drawing below describes both ways to wire an XLR connector for the purpose.

Balanced Signal: Connect pin 1 to Ground, pin 2 to Signal + (hot) and pin 3 to Signal - (cold).

Unbalanced Signal: Connect Pin 1 to Ground, pin 2 to Signal and pin 3 to Ground.

3.1 Anschlüsse

Bevor Sie diese Einheit an eine SHUKO-Steckdose anschließen, schalten Sie den Hauptstromschalter aus. The colour code is:

- Blue: Neutral
- Brown: Live, single phase
- Yellow-green: Protective Earth

Das Eingangssignal kann entweder symmetrisch oder unsymmetrisch sein. Für den Anschluss siehe Zeichnung.

Symmetrisches Signal: Die Belegung der XLR Pins ist wie folgt: 1-Masse, 2-Positives Signal (hot), 3-Negatives Signal (cold).

Asymmetrisches Signal: Die Belegung der XLR Pins ist wie folgt: 1-Masse, 2-Signal, 3-Masse.

3.1 Branchement

Veillez à ce que l'interrupteur de mise en service soit en position "Off" avant de brancher l'appareil sur une prise secteur avec mise à la terre (170-265V AC). The colour code is:

- Blue: Neutral
- Brown: Live, single phase
- Yellow-green: Protective Earth

L'appareil peut fonctionner avec des signaux symétriques ou assymétriques.

La figure ci-dessous indique le câblage des connecteurs XLR pour les deux cas.

Câblage Symétrique: souder la broche 1 à la masse, la broche 2 au point chaud (+), et la broche 3 au point froid (-).

Câblage Assymétrique: souder les broches 1 et 3 à la masse, et la broche 2 au signal.



Balanced Wiring

- 1- Ground
- 2- Signal +
- 3- Signal -



Unbalanced Wiring

- 1- Ground
- 2- Signal
- 3- Ground

Important!: If a connection is done with a un-balanced line and pin 3 on the XLR is not connected to ground, a 6 dB loss occurs in the line and only a quarter of the amplifier power is produced.

The amplifiers provides, for each channel, a female XLR Connector (Signal Input) paralleled to a male XLR to daisy chain several amplifiers with the same signal line (LINK).

ACHTUNG! Wenn Sie ein asymmetrisches Signal anschließen und Pin 3 nicht an Masse anschließen, erzeugt dies einen Verlust von 6dB (1/4 der Leistung der Endstufe) am Ausgangssignal.

Die Endstufe verfügt über eine parallele XLR-Buchse für die Zusammenschaltung mehrerer Endstufen.

Important: Si on effectue le branchement d'un signal asymetrique sur le connecteur XLR sans relier la broche 3 à la masse, une perte de 6dB sera constatée, ce qui se traduira par une perte du 75% de la puissance de sortie.

Le amplificateurs est muni des connecteurs XLR mâle pour la mise en parallèle de plusieurs amplificateurs avec les mêmes signaux d'entrée.

Installation and Operation

The amplifier can operate on three different configurations: DUAL, LINK or BRIDGE. The connections for the three modes are different.

3.1.1 DUAL Channel Mode

See Figure **3**

- Set the Amplifier Mode to "DUAL".
- Select the chosen Gain (Default setting 32dB).
- Connect the signal lines to the female XLR connectors on all channels.
- Connect the speakers' lines to the corresponding Speakon on the amp respecting the polarity.
- Use the level control knob on the front panel to adjust each channel independently.
- Each signalling LED group will show its corresponding channel status.

3.1.2 LINK Channel Mode

See Figure **4**

- Operate as Dual Channel Mode with the signal input linked to another adjacent channel.

3.1.3 BRIDGE Channel Mode

See Figure **5**

- Set the configuration mode to "BRIDGE" (see page 9).
- Select the chosen Gain (Default setting 32dB).
- Connect a signal line to input female XLR Channel "A" (or Ch-C in 4 channel models).
- Connect the speaker line to the Channel A Speakon (or Ch-C in 4 channel models) wired to +1 and -2. In this way pin +1 is positive.
- Use Channel-A (or Ch-C in 4 channel modes) control knob to adjust the amp's output.
- The signalling LED groups will show the single channel status.

WARNING! The "-" pins, do not have to be Ground!

Anschluss und Inbetriebnahme

Es gibt drei Funktionsmöglichkeiten dieser Endstufe: Dual, Link und Bridge. Die Anschlüsse sind in den drei Fällen unterschiedlich.

3.1.1 DUAL Kanalmodus

Siehe Fig. **3**

- Stellen Sie den Modusschalter auf die Modus "Dual".
- Bitte wählen Sie den Eingangsspegelwert (Werkseinstellung 32 dB).
- Schließen Sie alle Eingangssignale an ihre entsprechenden XLR-Buchsen.
- Schließen Sie die Lautsprecher an die entsprechenden Speakon an, bitte die Polarität ist beachten.
- Benutzen Sie die Lautstärkeregelung der entsprechenden Kanäle um den gewünschten Lautstärkepegel zu erreichen.
- Die LED-Anzeigen geben den Status der beiden Kanäle an.

3.1.2 LINK Kanalmodus

Siehe Fig. **4**

- Gehen Sie wie im Dual-Channel-Modus vor, wobei das Eingangssignal mit einem angrenzenden Kanal verbunden ist.

3.1.3 Bridge Kanalmodus

Siehe Fig. **5**

- Setzen Sie den Konfigurationsschalter auf die Modus "BRIDGE" (Siehe Seite 9).
- Wählen Sie den Eingangspegelwert auf dem Schalter (Werkseinstellung 32 dB).
- Schließen Sie das Eingangssignal an die XLR-Buchse "A" an (oder Kanal C bei 4-Kanalmodellen).
- Schließen Sie den Lautsprecher an den Kanal "A" Speakon (oder Kanal C bei 4-Kanalmodellen) verkabelt mit +1 und -2 (+1 ist positiv).
- Benutzen Sie Kanal A (oder Kanal C bei 4-Kanalmodellen) Potentiometer für die Regulierung des Endstufenausganges.
- Die LED-Anzeigen werden den Status des Ausgangskanals angeben.

ACHTUNG! The "-" pins, do not have to be Ground!

Installation et mise en service

L'amplificateur peut fonctionner en mode stéréo, parallèle ou ponté (Bridge). Le branchement est différent pour ces trois modes.

3.1.1 Mode Stéréo

Voir Fig. **3**

- Sélectionner le mode "DUAL".
- Sélectionnez le sensibilité choisie (réglage usine 32dB).
- Brancher les signaux d'entrée aux fiches XLR femelles de tous les canaux.
- Brancher les haut-parleurs sur les Speakon en respectant les polarités.
- Utiliser les atténuateurs d'entrée en face-avant pour régler le niveau de sortie de chaque canal.
- Les indicateurs LED afficheront le stade de chaque canal.

3.1.2 Mode LINK

Voir Fig. **4**

- Utiliser l'ampli comme en mode Dual mais avec le entrée de signal "linked" au le canal consécutif.

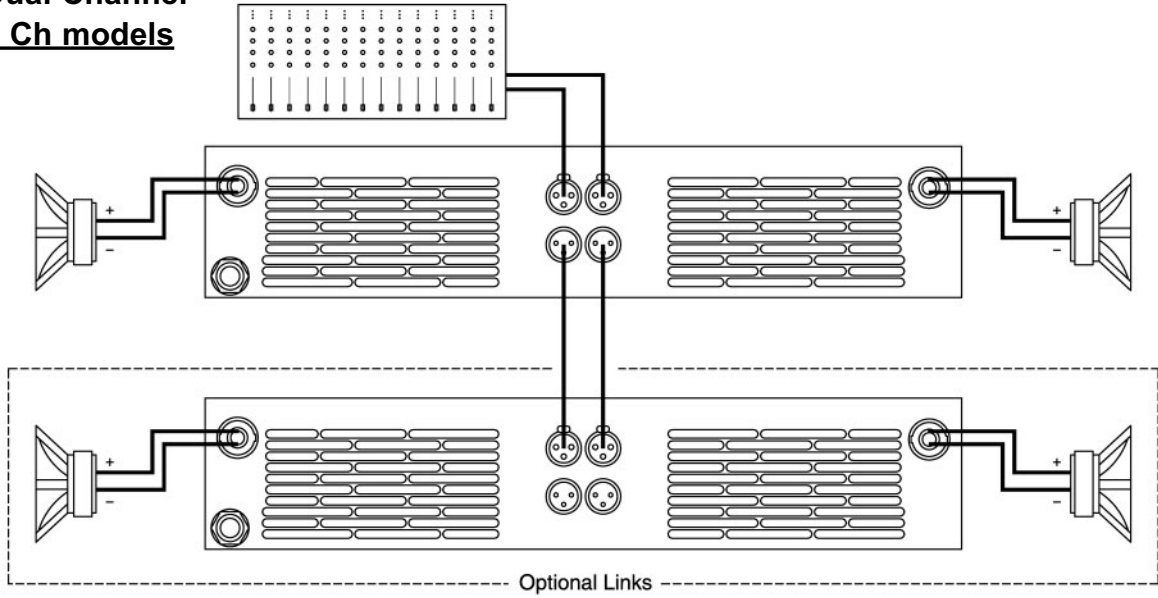
3.1.3 Mode Ponté (BRIDGE)

Voir Fig. **5**

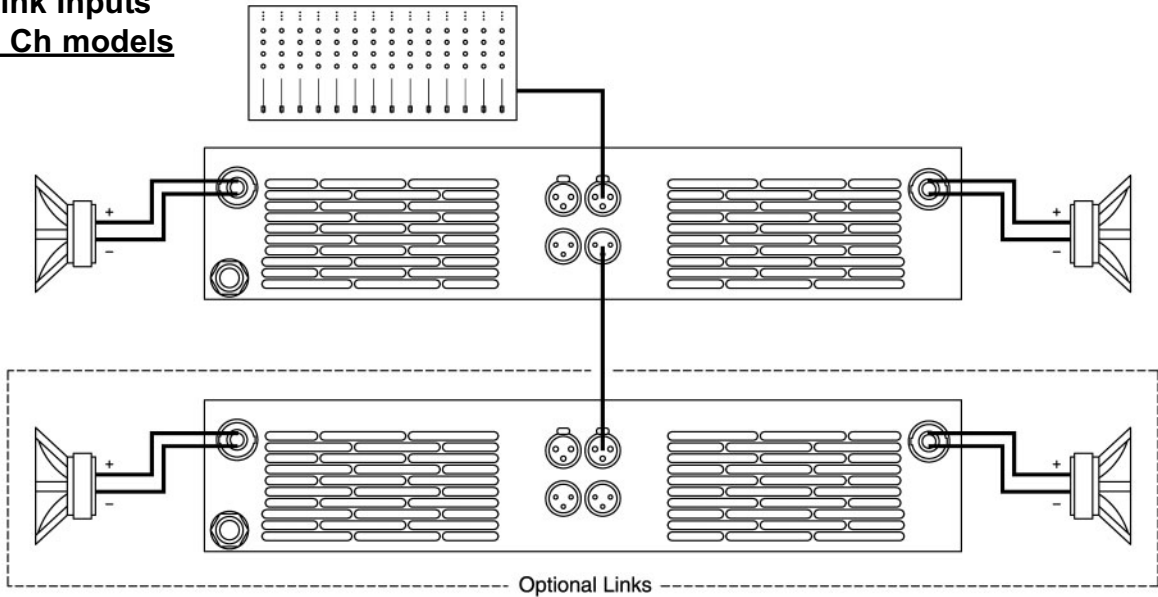
- Sélectionner le mode BRIDGE (voir page 9).
- Sélectionnez le sensibilité choisie (réglage usine 32dB).
- Brancher le signal modulation sur le connecteur XLR (femelle) du Canaux "A". (ou Canaux "C" pour 4 canal modèles).
- Brancher les HP sur les (+1, -2) des Speakons de sortie du canaux A ou C. Le +1 est la borne positif dans ce mode de fonctionnement.
- Utiliser les atténuateur d'entrée du Canaux A (ou C pour 4 canaux modèles) pour ajuster le signal de sortie.
- Les rangées de LED afficheront le niveau de sortie.

AVERTISSEMENT! Le "-" ne est pas masse!

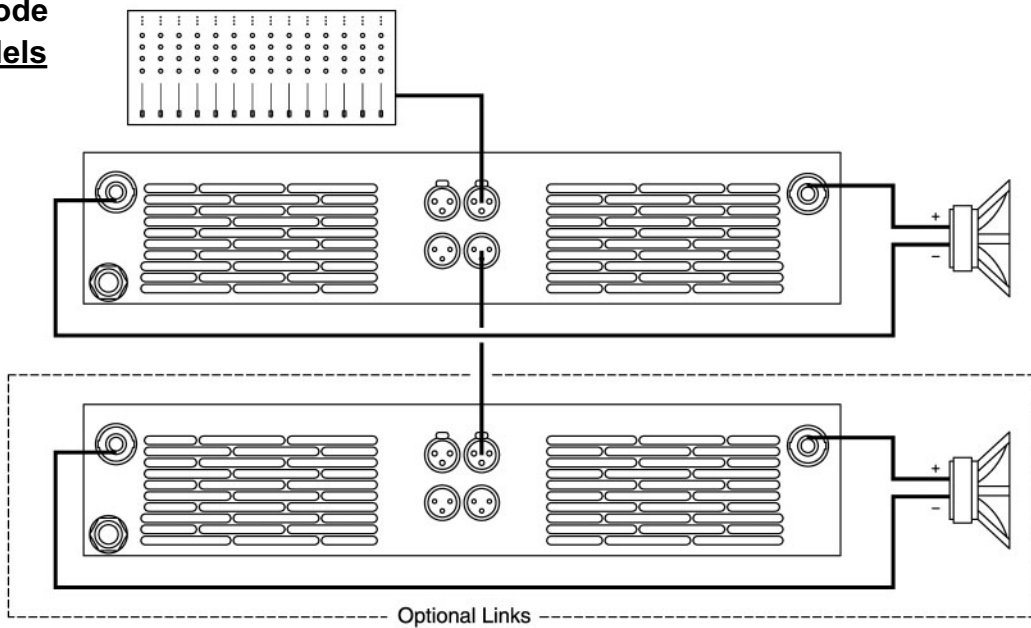
3 Dual Channel
2 Ch models



4 Link Inputs
2 Ch models

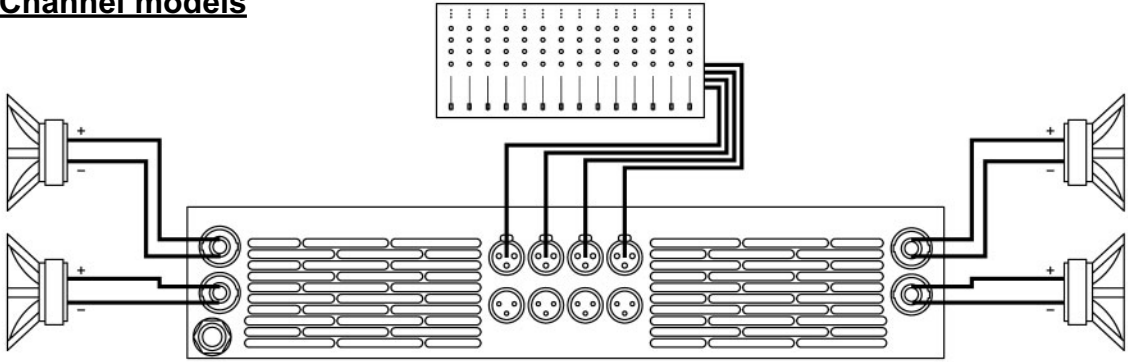


5 Bridge Mode
2 Ch models



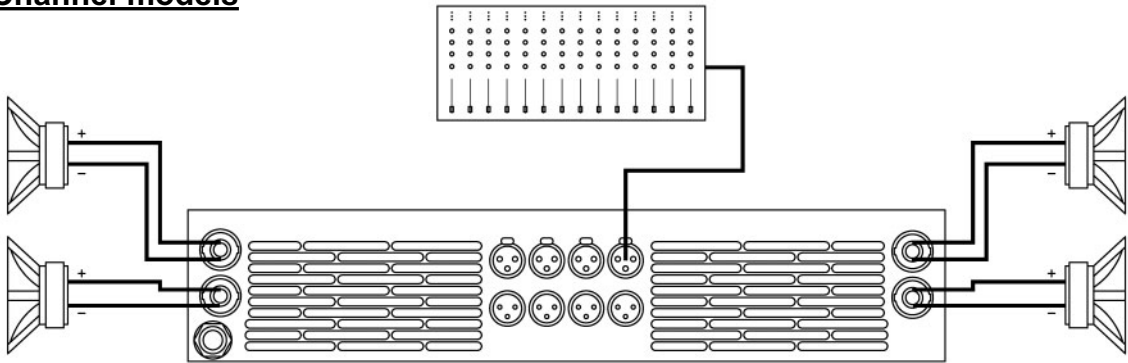
3

**Dual Channel
4 Channel models**



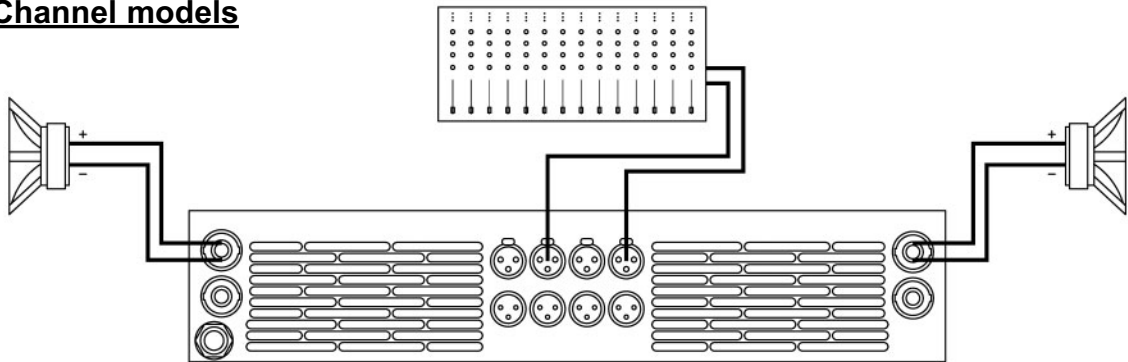
4

**Link Inputs
4 Channel models**

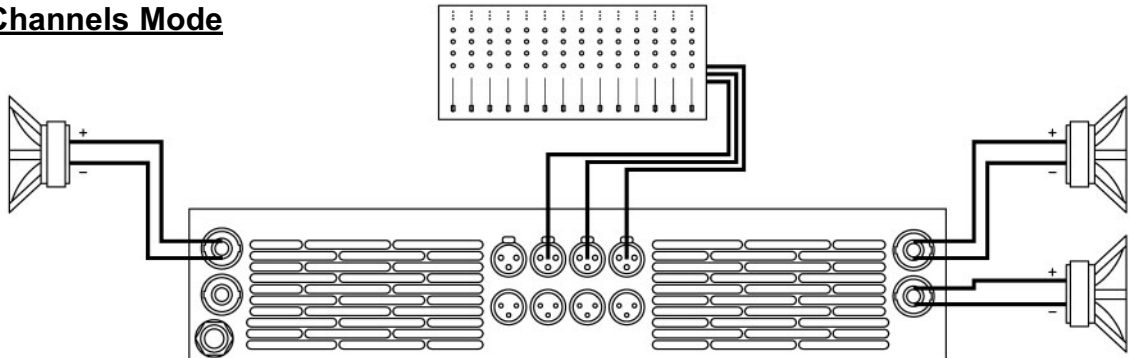


5

**Bridge Mode
4 Channel models**



**Bridge + Dual Mode
3 Channels Mode**



Installation and Operation

3.2 Configuration



1-G32dB-Dual-UnLink M
0dB 0dB -3dB -6dB

Main Screen: shows the current preset name (“G32dB-Dual-UnLink” as default), and the channel attenuation. As an option you can show the output VUmeter. The “M” appears at the top right corner if the preset has been changed from the last load. You can change each channel amplifier level turning the encoder knob for each channel.

Menu navigation: to access to the Menu screen you have to press the CH-A encoder knob from the Main Screen. Turning the CH-A encoder knob you access to the different options. When you press the CH-A encoder knob you start the Edit mode (only for some options), and a “E” blinking letter appears at the top right corner. Using the four encoder knobs you can change the different options. Pressing another time the CH-A encoder knob you finish the Edit mode, and return to the Menu screen. The last menu option is *Exit* to return to the main screen or *Exit + Dial Lock* to protect the encoder knob from any unwanted action. If you use this option you can unlock the system pressing the CH-A knob for 5 seconds. If you need to limit the access to the configuration you can define a password from the *Password Manager* in the *Amplifier Setup* section. The Menu development are the next:



Amplifier Setup

Amplifier Setup: You access to the Setup Menu, where you can change parameters as Inputs Link, Gain, Bridge Mode... Also you can change the preset and limit the access using a Password. See Amplifier Setup section on next page for more details.



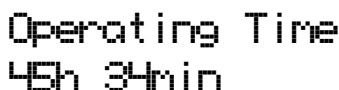
Channel Temperature
60% 50% 60% 70%

Channel Temperature: Show the percent of maximum temperature for each channel. When you are near the 100% the PMS system limits the power output to avoid reach the overheating protection.



Display Mode
VU meter

Display Mode: Change between *Channel Attenuation*.or *Vu meter* mode in the Main Screen.



Operating Time
45h 34min

Operating Time: shows the amplifier total time operation.



Firmware Version
Amp Control v1.2b

Firmware Version: shows the Amp Control firmware version. You can upgrade it using the USB port.

Amplifier Setup: when you are in the Main Menu and access to the *Amplifier Setup* section, you can change different amplifier parameters, change the current preset and protect the access using a password. The Menu development for this section is the next:

```
Preset Manager
Load Save Del Rest
```

Preset Manager: you can change quickly the amplifier preset configuration. To access to any option you have to enter in Edit mode (pressing CH-A knob) and turn the corresponding encoder: CH-A for *Load*, CH-B for *Save*, CH-C for *Delete* and CH-D for *Restore* default. Select a preset number from 0 to 9.

```
Inputs Link
IN-A IN-B IN-C IN-D
```

Inputs Link: you can Link the input signal to the next channel. Enter in Edit mode and turn the CH-B, CH-C or CH-D knob to link the input to the previous channel.

WARNING! You have to remove the input connector of the linked channel!

```
Amplifier Gain [dB]
32dB 32dB 32dB 32dB
```

Amplifier Gain: you can change independently the amplifier gain for each channel from 26dB to 38dB (0.5dB steps). Enter in Edit mode and use the corresponding channel knob to modify it.

```
Amplifier Mode
BRDG BRDG DUAL DUAL
```

Amplifier Mode: it configures the amplifier in *Dual* or *Bridge* mode. In Edit mode use the CH-A or CH-C channel knob to change the option.

```
Attenuators Link
Disabled
```

Attenuators Link: you can link all attenuators to modify the output level for all channels simultaneously. When you change this option to *Enabled*, you modify the attenuation for all channels using any channel knob.

```
ICL Clip Limiter
Enabled
```

ICL Clip Limiter: you can turn on or turn off the ICL Clip Limiter for all channels. We recommend to you to work with this option enabled to avoid any damage to the speakers.

```
Password Control
Enabled
```

Password Control: you can define a password to prevent any modification of the amplifier configuration. When you turn on this option, you have to introduce a password using the four knob encoders, and confirm it. After that, you need to introduce this password each time you want to modify the amplifier configuration. There is a generic password which you can use to disable the Password Control, it is: 5 5 5 5

Installation and Operation

Anschluss und Inbetriebnahme

Installation et mise en route

3.3 Troubleshooting

In the event of incorrect connection or malfunctioning, the amp will activate one or more of its LED to warn about the problem.



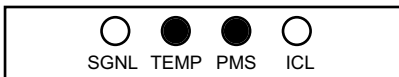
Correct function: SGNL lights to indicate signal presence.



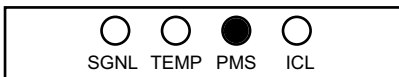
ICL: The Intelligent Clip Limiter is operating (see page 10).



No Signal: No Input Signal is reaching the amp.



Overheating: The amplifier has reached the maximum operational temperature. Most common cause is: the normal air flow is blocked, accumulated dirt, dust or object leaning against the grill. Check and clean periodically.

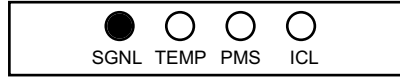


PMS: Several causes can trigger this LED, most common are:

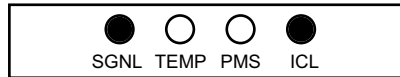
- The amplifier is in power-on sequence, where output is inhibited until the amp circuits are ready to operate.
- The internal temperatures rise to near thermal shutdown point due to unfavourable operating conditions.
- Excessive mains current consumption.

3.3 Problemlösung

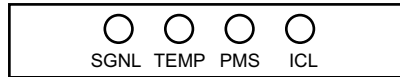
Sollte sich eine Fehlfunktion ergeben, wird diese durch die LED-Anzeigen auf der Frontplatte angezeigt. Es gibt folgende Möglichkeiten:



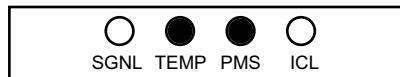
Korrektes Arbeiten: SGNL leuchtet wenn Eingangssignal vorhanden ist.



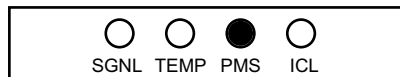
ICL: Der Intelligent Clip Limiter ist in Betrieb (Siehe Seite 10).



Kein Eingangssignal: Kein Eingangssignal vorhanden.



Überhitzung: Die Endstufe hat die maximale Arbeitstemperatur erreicht. Die häufigste Ursache ist Verschmutzung oder Blockierung der Luftein- und Austritte. Es ist ratsam diese regelmäßig zu säubern.



PMS: Mehrere Ursachen können dieses LED auslösen, die häufigsten sind:

- Die Endstufe befindet sich im Anschaltvorgang, das Ausgangssignal wird so lange gehemmt bis die Endstufe voll funktionsbereit ist.
- Die Innentemperatur steigt aufgrund ungünstiger Arbeitsbedingungen nahe des Grenzwertes bei dem die automatische Ausschaltfunktion aktiviert wird um eine Überhitzung des Systems zu vermeiden.
- Überhöhter Netzstromverbrauch.

3.3 Dysfonctionnements éventuels

En cas d'utilisation incorrecte ou de dysfonctionnement, une ou plusieurs LED seront allumées pour indiquer la nature du problème.



Fonctionnement correct: SGNL Diode Verte allumée



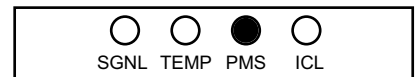
ICL: Fonctionnement du Limiteur Intelligent d'écrêtage (voir page 10).



Aucun Signal n'arrive à l'Ampli.



Surchauffe: l'amplificateur a atteint sa plus haute température interne admissible. Le plus souvent ceci est dû à un blocage ou à l'obturation des voies de ventilation.



PMS: PMS Diode Orange allumée. Plusieurs anomalies peuvent déclencher cet affichage. Les plus courantes sont:

- L'ampli se trouve en situation de mise sous tension et les sorties se trouvent inhabilitées jusqu'à ce que tous les circuits soient prêts à fonctionner.
- L'ensemble de la température interne de l'ampli s'approche du point de mise en attente à cause de conditions de fonctionnement défavorables.
- Consommation de courant excessif.

Protection Systems

Schutzschaltungs- systeme

Systèmes de Protection

PMS™ - Power Management System

This is a complete set of protections that monitors the main amp parameters (load status, signal input, temperature, current, etc.) in order to draw from the power supply only the precise amount of current required to maintain safe operation during hazardous or extreme working conditions.

This system controls the amount of power that the amp delivers under three basic circumstances:

- 1.- The power-on sequence, where output is inhibited until the amp circuits are ready to operate. This routine is repeated at every restart, not just when the power switch is activated.
- 2.- When internal temperatures rise to near thermal shutdown point due to unfavourable operating conditions. Here the system takes control, restricting current so as to maintain operational continuity at the precise power level which the amp is capable of withstanding at that particular moment.
- 3.- Excessive mains current consumption. This event only occurs either under laboratory conditions (long term sinusoidal signal testing with dummy loads) or, for example, in field applications in conditions of prolonged acoustic howl-round. Here PMS takes control to avoid any damage to the speakers and to prevent the mains breaker from tripping or the fuses blowing.

ICL2™ - Intelligent Clip Limiter

The RAM Audio ICL2 is an anticlip system to avoid speaker failure and provide more acceptable sound quality even when clipping occurs. With the ICL2 system you don't lose the music "punch" but the speakers are kept under control.

SSP™ - SOA Sentry Protection

SOA Sentry protection effectively limiting the power that the amp could deliver into an incorrect load or to a direct short-circuit. This avoids power transistor failure.

FCM™ - Faulty Channel Management

Faulty Channel Management system to avoid entire device shutdown.

PMS™ - Power Management System

Vollständiges Set von Schutzfunktionen das die wichtigsten Endstufenparameter überwacht (Auslastung, Signaleingang, Temperatur und Stromstärke) um vom Netzanschluss nur die Menge Strom zu beziehen, die für den betriebssicheren Arbeitsablauf notwendig ist

Dieses System reguliert die von der Endstufe abgegebenen Leistung in 3 Fällen:

- 1.- Anschaltvorgang: Der Ausgang wird gehemmt bis die Endstufe voll funktionsbereit ist. Dieser Vorgang wiederholt sich bei jedem Neustart, nicht nur wenn der Leistungsschalter aktiviert wurde.
- 2.- Wenn die Innentemperatur aufgrund ungünstiger Arbeitsbedingungen nahe des Grenzwertes steigt, bei dem die automatische Ausschaltfunktion aktiviert würde, um eine Überhitzung des Systems zu vermeiden. In diesem Fall übernimmt das System die Kontrolle und reduziert die Stromzufuhr auf ein Niveau, dass die Endstufe in dieser Situation aushalten kann.
- 3.- Überhöhter Stromverbrauch: Diese Situation stellt sich ausschließlich unter Laborbedingungen ein (in sinusförmigen Langzeitsignaltests mit Dummymlasten oder in langanhaltenden akustischen Feedback Bedingungen. Hier greift das PMS System ein um eine Schädigung der Lautsprecher zu vermeiden und um zu verhindern dass der Hauptunterbrecher ausgelöst wird oder die elektrischen Sicherungen durchbrennen.

ICL™ - Intelligent Clip Limiter

Das RAM Audio ICL2 ist ein Anticlipssystem das das Versagen der Lautsprecher vermeidet und auch wenn Clipping auftritt noch eine bessere Tonqualität gewährleistet. Mit dem ICL2 System verlieren Sie den "Punch" nicht, und der Lautsprecher arbeitet kontrolliert.

SSP™ - SOA Sentry Protection

SOA Die Leistung, die die Endstufe an inkorrekte Lasten oder an einen Kurzschluss abgeben könnte wird wirksam limitiert. Dies verhindert die Zerstörung der Leistungstransistoren.

FCM™ - Faulty Channel Management

Faulty Channel Management system to avoid entire device shutdown.

PMS™ - Power Management System

Ceci est un ensemble complet de protections qui surveille les paramètres principaux de l'ampli: état de l'impédance (charge), signal d'entrée, température, courant, etc. pour obtenir de l'alimentation la quantité précise minimum de courant et ainsi permettre à l'ampli de continuer à fonctionner en sécurité dans des conditions extrêmes, ou voire dangereuses au maintien de son intégrité électronique.

Ce système contrôle la quantité de courant que l'ampli peut utiliser dans les circonstances suivantes:

- 1.- Lors de la mise sous tension, ou la sortie est coupée jusqu'à ce que l'ampli est 100% prêt dans tous ses circuits. Ce processus est répété, non seulement à la mise en marche, mais chaque fois que l'ampli se remet en fonctionnement.
- 2.- Quand la température interne de l'ampli est proche de la coupure automatique de sécurité, (thermal shutdown), dans des conditions de fonctionnement adverses. Dans ce cas, le système prend le contrôle, et oblige l'alimentation à ne délivrer que le courant nécessaire à maintenir le fonctionnement, au niveau que l'ampli est capable de maintenir à ce moment précis, dans des conditions données.
- 3.- Dans le cas de consommation excessive de courant. Cette éventualité ne se présente que dans des conditions de laboratoire lors de tests prolongés avec des signaux sinusoïdaux ou dans les cas de réalimentation acoustique prolongée sur la scène. Ici le PMS prend le contrôle pour éviter d'endommager les haut-parleurs, de faire sauter les systèmes de protection du secteur ou même les fusibles.

ICL™ - Limiteur Intelligent d'écrêtage

Le ICL2 de RAM Audio est un système anti-écrêtage qui permet un rendement des haut-parleurs optimisé et offre un meilleur résultat auditif quand l'écrêtage est present. Le ICL2 permet à la musique de garder son punch mais sauvegarde les haut-parleurs.

SSP™ - SOA Sentry Protection

Le SOA est un système sentinelle qui limite de manière efficace le courant que l'ampli peut donner sous une charge inadéquate ou sous court-circuit direct. Ce système protège les transistors de sortie.

FCM™ - Faulty Channel Management

Faulty Channel Management system to avoid entire device shutdown.

Technical Specifications

Technische Spezifikationen

Spécifications

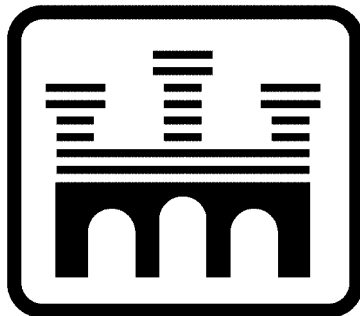
4.2 Data

4.2 Technische Daten

4.2 Données techniques

Technical Specifications

	V-6000	V-9000	V-12000	V-9004	V-9044	V-12004	V-12044
Output Power							
<i>1kHz, 1.0% THD+N</i>							
@ 2Ω	2x 3025 W	2x 4400 W	2x 5900 W	4x 2260 W	-	4x 3025 W	-
@ 4Ω	2x 1600 W	2x 2300 W	2x 3100 W	4x 1150 W	4x 2200 W	4x 1600 W	4x 2950 W
@ 8Ω	2x 820 W	2x 1200 W	2x 1600 W	4x 600 W	4x 1150 W	4x 820 W	4x 1550 W
Bridge @ 4Ω	6050 W	8800 W	11800 W	2x 4520 W	-	2x 6050 W	-
Bridge @ 8Ω	3200 W	4600 W	6200 W	2x 2300 W	2x 4400 W	2x 3200 W	2x 5900 W
Frequency Response							
Power Bandwidth ±0.25dB	20Hz-20kHz						
Phase Response							
@ 1 watt 20Hz-20kHz	±15 deg						
Total Harmonic Distortion							
20Hz-20kHz	<0.05%						
Intermodulation Distortion							
SMPTE	<0.05%						
Damping Factor							
20-500Hz @8Ω	>500						
Crosstalk							
20Hz-1kHz	>80dB						
Voltage Gain							
	26dB to 38dB (0.5dB steps)						
Sensitivity							
Rated Power (26/32/38dB Gain)	4/2/1 V	4.9/2.5/1.2 V	5.7/2.8/1.4 V	3.5/1.7/0.9 V	4.8/2.4/1.2 V	4.1/2/1 V	5.6/2.8/1.4 V
Signal-to-Noise Ratio							
20Hz-20kHz	113dB	115dB	116dB	112dB	115dB	113dB	116dB
Required AC Mains							
Operating Voltage (50Hz-60Hz)	170V-265V AC						
Power On Idling (@230V)	0.5 A	0.5 A	0.5 A	0.5 A	0.5 A	0.5 A	0.5 A
1/8 Rated Power (@230V min. Z)	7 A	10 A	13 A	11 A	10 A	14 A	13 A
Dimensions							
W x H x D (mm)	483x89x460						
W x H x D (inches)	19x3.5x18.1						
Weight							
Net (Kg-Lbs)	10-22.1	12-26.5	12-26.5	12-26.5	12-26.5	12-26.5	12-26.5
Protections							
Soft-start, Turn-on Turn-off transients, Muting at turn-on, Over-heating, DC, RF, Short-circuit, Open or mismatched loads, Overloaded power supply, Mains Overvoltage, ICL™, PMS™, SSP™ and FCM™							



Manufactured in the EEC by C.E. Studio-2 s.l.
Pol. Ind. La Figuera - C/Rosa de Luxemburgo, nº 34
46970 Alaquas - Valencia - SPAIN
Phone: +34 96 127 30 54 Fax: +34 96 127 30 56
<http://www.ramaudio.com> e-mail: support@ramaudio.com