



SUBline 18S

APPLICATIONS

- D.J. System
- School & Corporate Audio Visual Sound Reinforcement
- Background Music: Restaurants, Pubs
- Clubs/Auditoriums/Theatres
- Gyms/Houses of Worship
- Perfect low-frequency reinforcement when used along with FBT VERVE, FBT EVO2MAXX and FBTJOLLY speakers

FEATURES

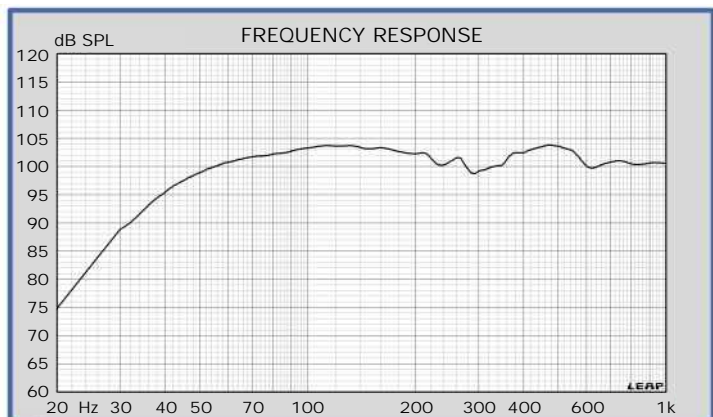
- 15mm / 0.59" Baltic birch plywood enclosure
- Recommended amplifier 1200W RMS / 4 Ohm
- 460mm / 18" high excursion woofer with 75mm / 3" coil
- Frequency response 33Hz - 400Hz
- Input panel with Neutrik speakon NL4MD-V in & link
- SPL capability 136dB
- M20 top mount speaker stand socket
- Two aluminum carrying handles
- External digital processor required
- Completely Manufactured in Italy

SOUND REINFORCEMENT SUBWOOFER



PRODUCT DESCRIPTION

The FBT SUBLINE 18S is a 18" sound reinforcement subwoofer. The FBT SUBLINE 18S meet the following performance criteria: Frequency response of 33Hz to 400Hz, Frequency sensitivity of 98,5dB, Maximum SPL of 136dB peak, Recommended power amplifier 1200W RMS/4 Ohm. The FBT SUBLINE 18S feature 0.59" Baltic birch plywood construction covered in a scratch resistant black paint with a M20 top-mounted stand adapter and two FBT design aluminium handles. The rear facing input panel provides 2 Neutrik NL4 speakon female connectors.



ELECTRICAL PERFORMANCE

System Type:	bass reflex subwoofer
Recommended Amplifier	1200W RMS
Long Term Power (AES)	600W
Short Term Power (IEC 268-5)	2400W
Nominal Impedance	4 Ohm
Frequency Response @ -6dB	33Hz - 400Hz
Sensitivity @ 1W, 1m	98,5dB
Maximum SPL *	CONT. 133dB PEAK 136dB
Dispersion	omnidirectional
Crossover Frequency	external active
Recommended HP filter	28Hz-24dB oct.

PHYSICAL

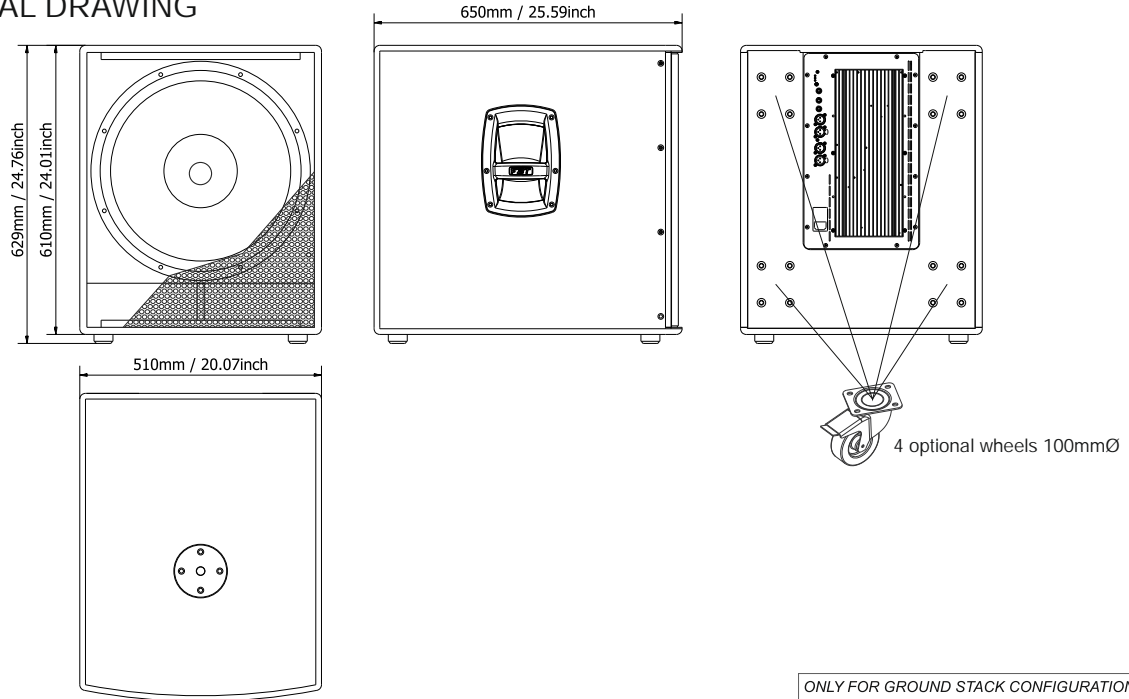
Low Frequency Woofer	1 x 18" - 3" coil
Input Connectors	2 x Speakon NL4
Net Dimensions (WxHxD)	20,07" x 24,76" x 25,59" 510 x 629 x 650mm
Shipping Dimensions (WxHxD)	27,55" x 25,98" x 23,22" 700 x 660 x 590mm
Shipping Dimensions (with pallet)	31,49" x 31,10" x 27,55" 800 x 790 x 700mm
Net Weight	89,28 lbs / 40,5 kg
Shipping Weight	110,2 lbs x 50 kg
Enclosure Material	Baltic birch plywood

*CONT. SPL: half space, based on recommended amp rating and LF transducer average sensitivity data, 125mS time average
PEAK SPL: half space, based on short term applicable power rating and system peak sensitivity, 10mS time average

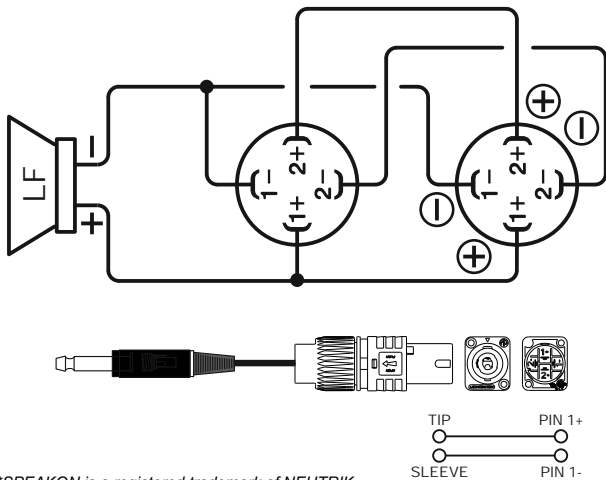


SUBline 18S

DIMENSIONAL DRAWING



CONNECTORS



CONNECTION PANEL

