

**LOWS:** Loose  
**MIDS:** Aggressive  
**HIGHS:** Bright  
**OVERDRIVE:** Crunchy

## Sound Features:

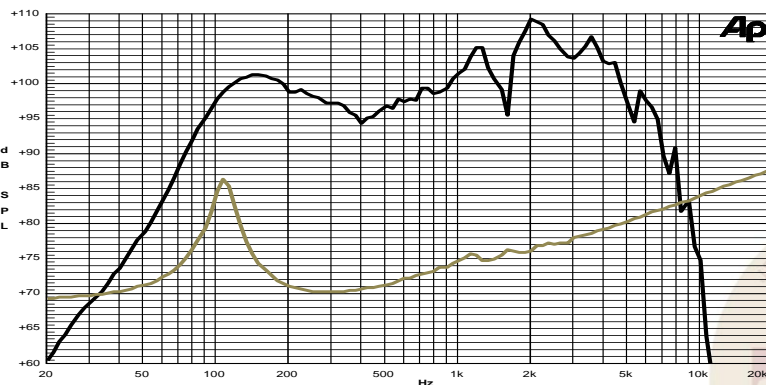
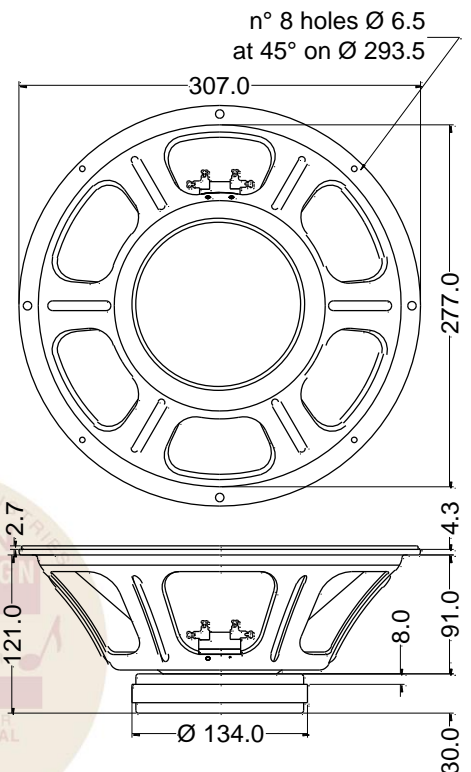
### Guitarist Description:

Smooth and straightforward, full bodied tone with high frequency chime. It responds to overdrive distortion with powerful mid-bite.

Specifications	
Nominal Diameter	307 mm (12")
Nominal Impedance	8 Ω
Rated Power AES <sup>(1)</sup>	50 W
Continuous Program Power <sup>(2)</sup>	100 W
Sensitivity @ 1W/1m	97.7 dB
Voice Coil Diameter	38 mm
Voice Coil Winding Depth	10 mm
Magnetic Gap Depth	8 mm
Flux Density	1.15 T
Magnet Weight	810 g
Net Weight	3.3 kg

Thiele & Small Parameters <sup>(3)</sup>			
Re	6.05 Ω	Fs	113.0 Hz
Qms	7.52	Mms	29.9 g
Qts	1.02	Bxl	10.46 Tm
Cms	66 μm/N	Sd	490.9 cm <sup>2</sup>
Vas	22.6 l	Le (1kHz)	0.90 mH

Constructive Characteristics	
Magnet	Ferrite
Basket Material	Pressed Sheet Steel
Voice Coil Winding Material	Copper
Voice Coil Former Material	Kapton
Cone Material	Paper
Surround Treatment	No
Surround Material	Paper - Integrated
Dust Dome Material	Solid Paper



- Note:
- 1: Rated Power measured with 2 hours test with pink noise signal, 6dB crest factor, loudspeaker mounted on enclosure
  - 2: Power on Continuous Program is defined as 3 dB greater than the Rated Power
  - 3: Thiele & Small parameters measured with laser system without preconditioning test
  - 4: Drawing dimensions: mm
  - 5: The notch around 400Hz on the frequency response is typical of the measurement on IEC baffle