

Jensen®

loudspeakers

Electric
Lightning
Ceramic

C 10/50 EL 8Ω
Code ZJ05420
10" 50W

LOWS: Tight/Fat
MIDS: Aggressive
HIGHS: Bright
OVERDRIVE: Crunchy

Sound Features:

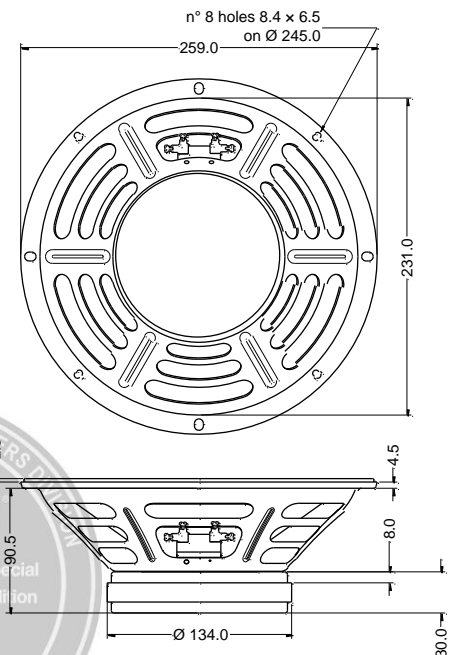
Guitarist Description:

War and bold with shimmering highs. Presented with overdrive distortion, it remains strong and articulate.

Specifications	
Nominal Diameter	259 mm (10")
Nominal Impedance	8 Ω
Rated Power AES ⁽¹⁾	50 W
Continuous Program Power ⁽²⁾	100 W
Sensitivity @ 1W/1m	97.1 dB
Voice Coil Diameter	38 mm
Voice Coil Winding Depth	10 mm
Magnetic Gap Depth	8 mm
Flux Density	1.15 T
Magnet Weight	810 g
Net Weight	3.0 kg

Thiele & Small Parameters ⁽³⁾			
Re	6.05 Ω	Fs	100.3 Hz
Qms	15.12	Mms	19.0 g
Qts	0.80	Bxl	9.29 Tm
Cms	132 μm/N	Sd	330.1 cm ²
Vas	20.4 l	Le (1kHz)	0.62 mH

Constructive Characteristics	
Magnet	Ferrite
Basket Material	Pressed Sheet Steel
Voice Coil Winding Material	Aluminium
Voice Coil Former Material	Kapton
Cone Material	Paper
Surround Treatment	Yes
Surround Material	Paper - Integrated
Dust Dome Material	Non Treated Cloth



- Note:
- 1: Rated Power measured with 2 hours test with pink noise signal, 6dB crest factor, loudspeaker mounted on enclosure
 - 2: Power on Continuous Program is defined as 3 dB greater than the Rated Power
 - 3: Thiele & Small parameters measured with laser system without preconditioning test
 - 4: Drawing dimensions: mm
 - 5: The notch around 400Hz on the frequency response is typical of the measurement on IEC baffle

30/01/15