

SSF081.50

Lavoce

8" SUBWOOFER

FERRITE MAGNET
STEEL BASKET DRIVER



- 1.5 INCH COPPER VOICE COIL
- 89 dB/SPL SENSITIVITY
- 400 WATT PROGRAM POWER HANDLING
- 21 mm (0.8 INCH) PEAK TO PEAK MAXIMUM EXCURSION
- FEM OPTIMIZED MOTOR AND SUSPENSIONS
- 70 mm INSTALLATION DEPTH
- RESONANCE FREE AND HEAVY DUTY STEEL BASKET DESIGN
- RUBBER SURROUND MATERIAL

GENERAL SPECIFICATIONS

Nominal diameter	mm (in.)	200 (8)
Nominal impedance	Ω	8
Minimum impedance	Ω	6,8
Program power (1)	W	400
AES Power rating (2)	W	200
Sensitivity (3)	dB	89
Frequency range	Hz	50 ÷ 500
Voice coil diameter	mm (in.)	38 (1.5)
Chassis material	Steel	
Magnet material	Ferrite	
Magnet dimensions OD x ID x h	mm (in.)	120 x 60 x 22 (4.7 x 2.4 x 0.9)
Coil material	Copper	
Former material	Aluminium	
Cone material	Water Proof Treated Paper	
Surround material	Rubber	
Xmax (4)	mm (in.)	6,3 (0.25)
Xmech (5)	mm (in.)	10,3 (0.41)
Gap height	mm (in.)	8 (0.31)
Voice coil winding height	mm (in.)	16,5 (0.65)
Driver displacement volume	l (ft ³)	0,7 (0.03)

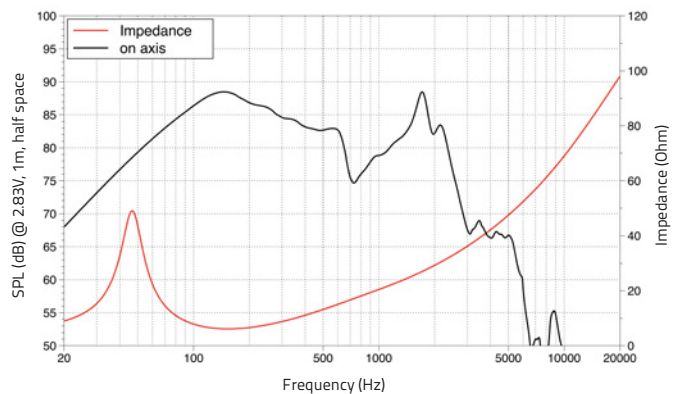
SMALL SIGNAL PARAMETERS

DC resistance	Re	Ohm	5,3
Resonance frequency	Fs	Hz	47
Moving mass	Mms	g (oz)	46,6 (1.64)
Compliance	Cms	mm/N	0,24
Force factor	BxL	N/A	12,6
Mechanical Q-factor	Qms		3,7
Electrical Q-factor	Qes		0,45
Total Q-factor	Qts		0,40
Equivalent air volume	Vas	l (ft ³)	16 (0.57)
Voice coil Inductance	Le	mH	1,43
Diaphragm area	Sd	cm ² (in. ²)	216 (33.48)
Reference efficiency	Eta 0	%	0,35

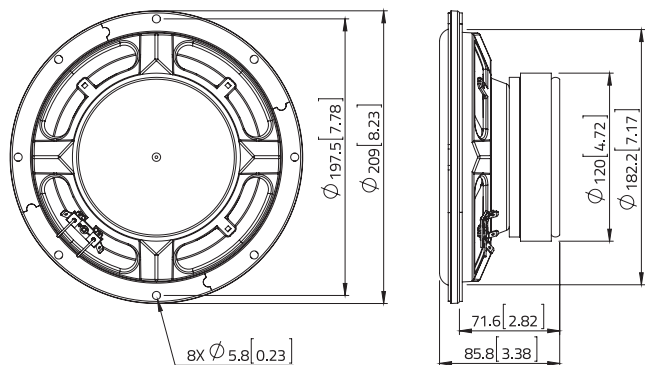
SHIPPING INFORMATION

Net weight	kg (lb.)	2,5 (5.5)
Multipack size (1)	mm	260 x 260 x 120
W x D x H	(in.)	(10.2 x 10.2 x 4.7)
Multipack weight	kg (lb.)	3,1 (6.9)

FREQUENCY RESPONSE



DIMENSIONS mm (in.)



(1) Program power is defined as 3 dB greater than AES Power. (2) Tested for two hours using a continuous, band-limited pink noise signal as per AES 2-1984 Rev. 2003. Loudspeaker tested in free air. (3) From T/S parameters, measured with Klippel DA LPM module. (4) The Xmax is calculated as: $(Hvc - Hg)/2 + Hg/4$. Hvc is the voice coil height and Hg the gap height. (5) The Xmech is calculated as: $(Hvc - Hg)/2 + (Hg - 2)$. Hvc is the voice coil height and Hg the gap height. (6) Thiele-Small parameters are measured after preconditioning: a) at 20°C - 22°C, 50% humidity for 2 hours; b) by Klippel LSI measurement.

All specifications subject to change without notice_C.a

