

HDL 50-A

ACTIVE THREE-WAY LINE ARRAY MODULE

DESCRIPTION

The HDL 50-A is a true active high power speaker system ready to use touring system for large events, indoors and outdoors. Equipped with 2x12" woofers, 4x symmetrical 6.5" midranges and two 2" drivers, it offers excellent playback quality and high sound pressure levels with a built in 2200W RMS powerful digital amplifier that delivers superior SPL, while reducing energy requirement. Using advanced neodymium magnets and a groundbreaking new housing constructed from lightweight plywood and polypropylene, it has a remarkably low weight for easy handling and flying. The HDL 53-AS is the ideal flyable bass complement for the HDL 50-A array system.



FEATURES

- 4400 Watt, 3 way amplification
- 140 dB max SPL
- 8 x high power neodymium transducers
- 48 kHz, 32 bit DSP processing
- RDNet on board
- Remote monitoring and control
- Symmetrical design
- Extremely low weight

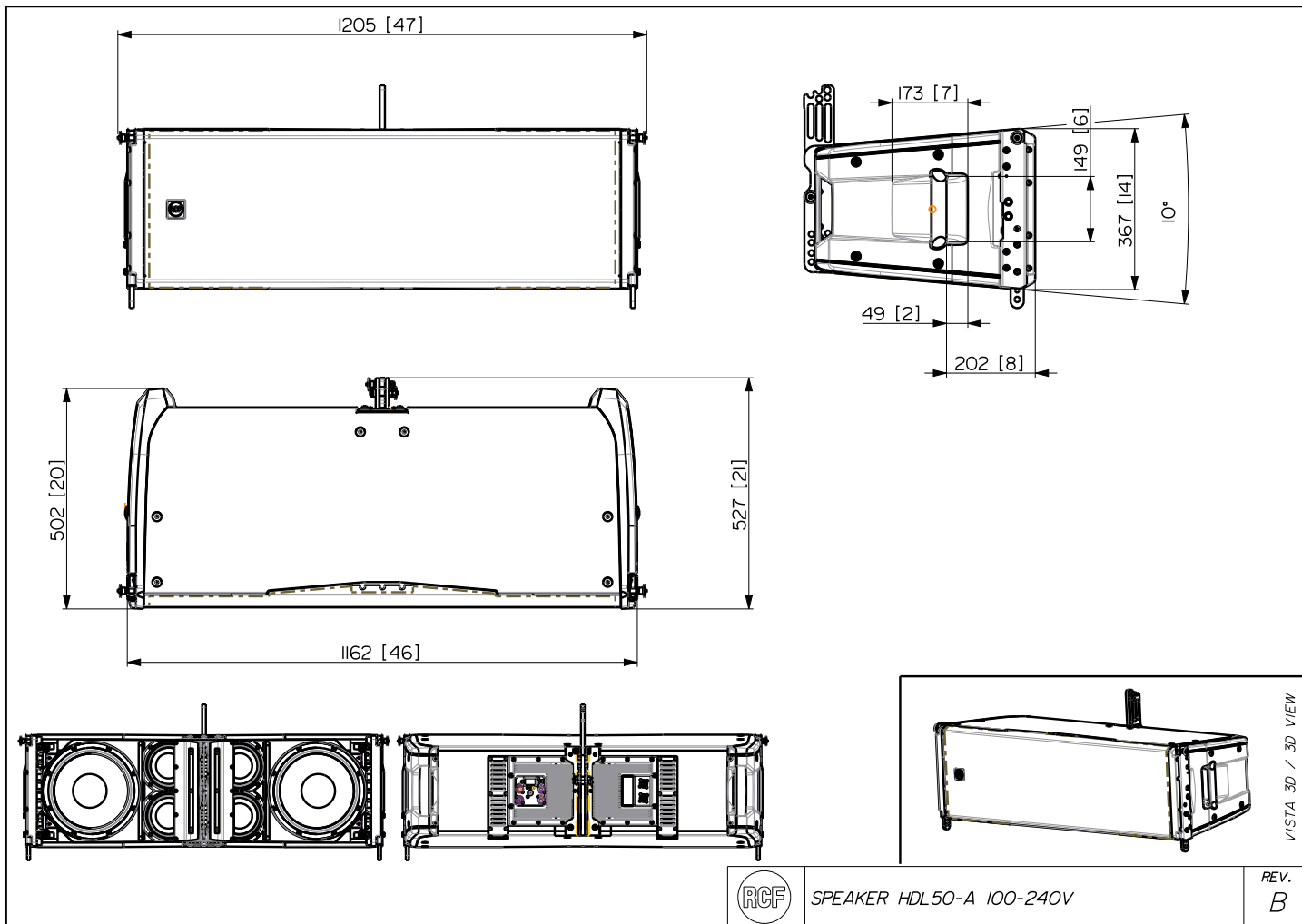
TECHNICAL SPECIFICATIONS

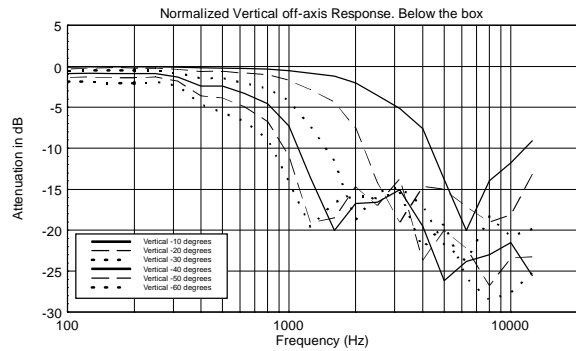
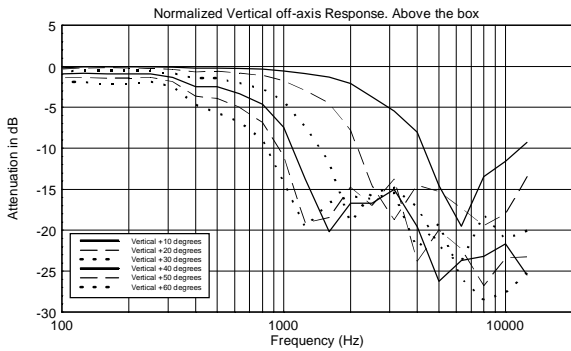
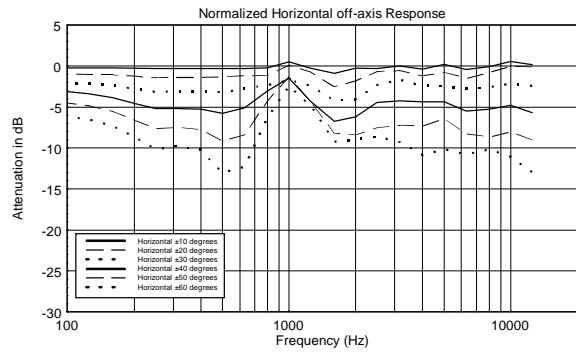
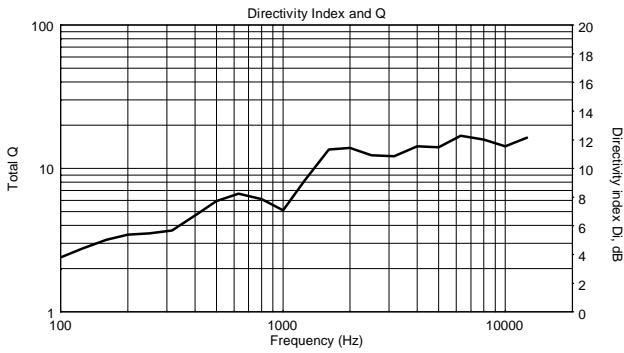
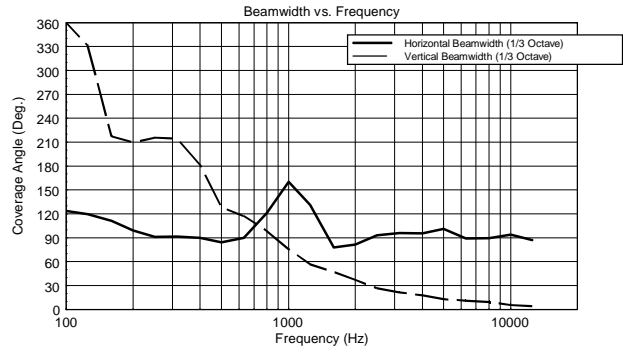
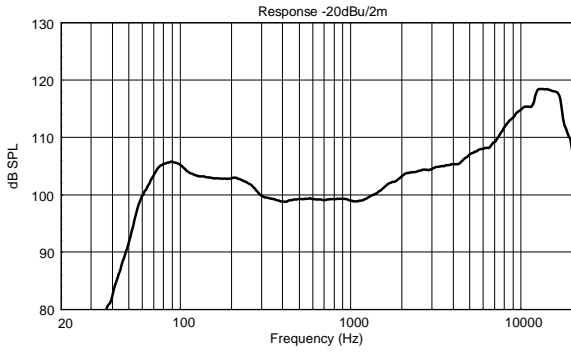
Acoustical specifications	Frequency Response:	40 Hz ÷ 20000 Hz
	Max SPL @ 1m:	140 dB
	Horizontal coverage angle:	90°
	Vertical coverage angle:	10°
Transducers	Compression Driver:	2 x 1.4" neo, 3.0" v.c
	Midrange:	4 x 6.0" neo, 2.0" v.c
	Woofer:	2 x 12" neo, 3.0" v.c
Input/Output section	Input signal:	bal/unbal
	Input connectors:	XLR, RDNet Ethercon
	Output connectors:	XLR, RDNet Ethercon
	Input sensitivity:	+4 dBu
Processor section	Crossover Frequencies:	200 Hz - 800 Hz
	Protections:	Thermal, RMS
	Limiter:	Soft Limiter
	Controls:	Cluster size, HF correction, RDNET
Power section	Total Power:	4400 W Peak, 2200 W RMS
	High frequencies:	1100 W Peak, 550 W RMS
	Mid frequencies:	1100 W Peak, 550 W RMS
	Low frequencies:	2200 W Peak, 1100 W RMS
	Cooling:	Convection
	Connections:	Powercon IN/OUT
Standard compliance	CE marking:	Yes
Physical specifications	Cabinet/Case Material:	Baltic birch plywood
	Hardware:	Integrated Mechanics
	Handles:	2 side, 2 rear
	Grille:	Steel
	Color:	Black
Size	Height:	366 mm / 14.41 inches
	Width:	1171 mm / 46.1 inches
	Depth:	502 mm / 19.76 inches
	Weight:	56 kg / 123.46 lbs
Shipping informations	Package Height:	400 mm / 15.75 inches
	Package Width:	1200 mm / 47.24 inches
	Package Depth:	600 mm / 23.62 inches
	Package Weight:	60 kg / 132.28 lbs

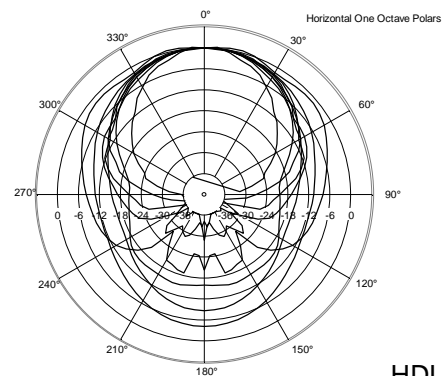
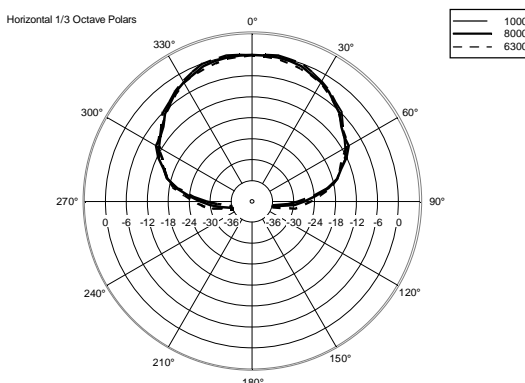
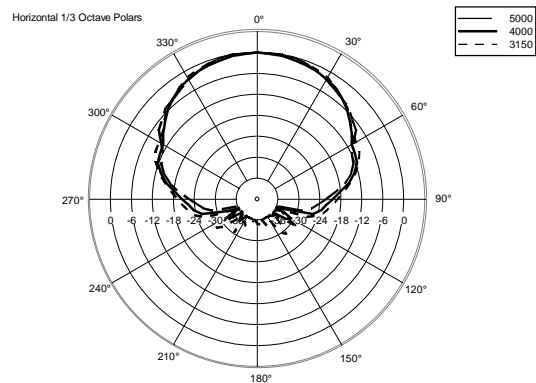
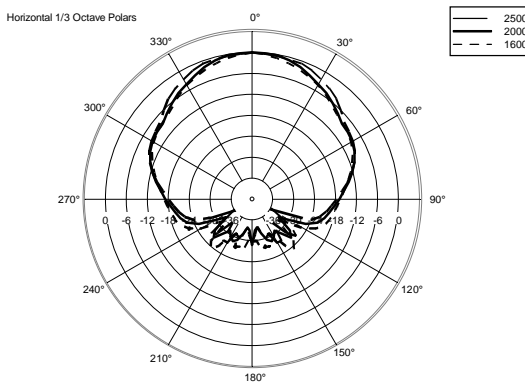
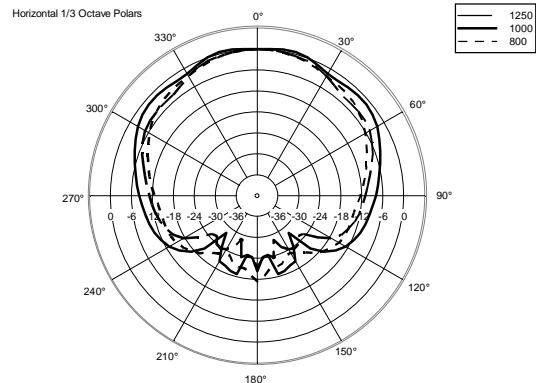
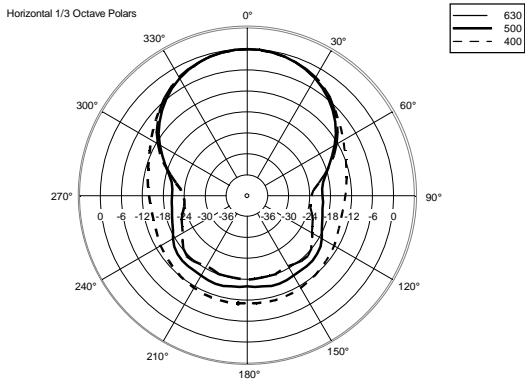
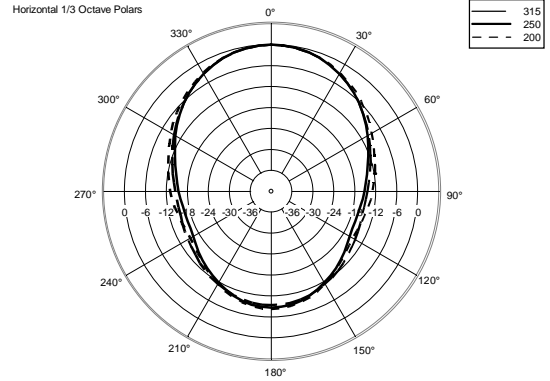
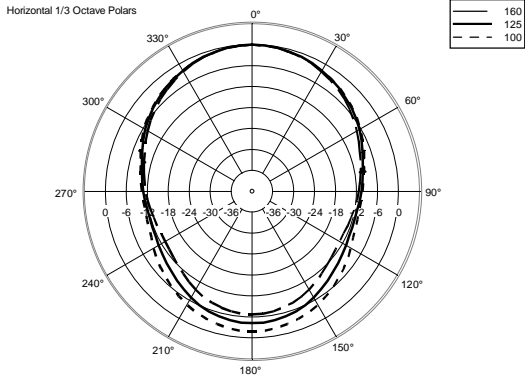


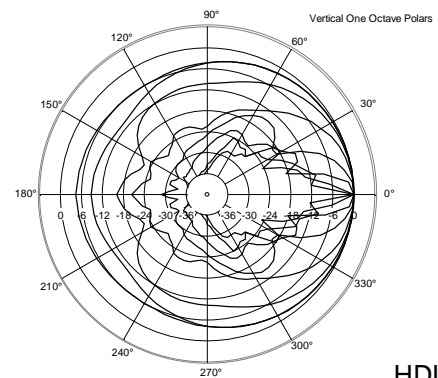
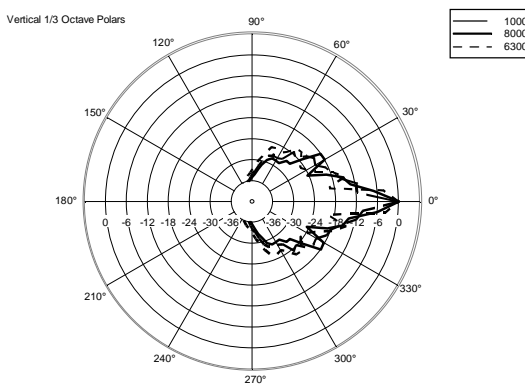
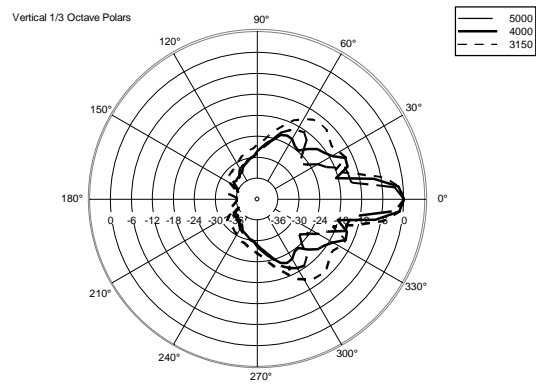
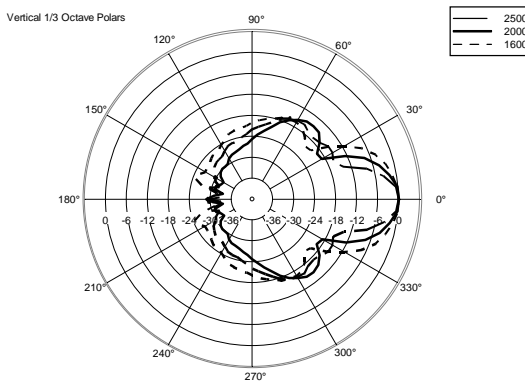
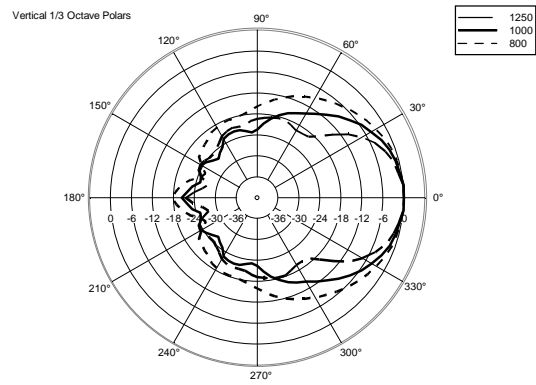
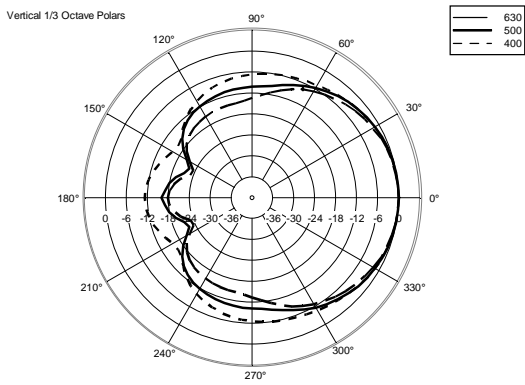
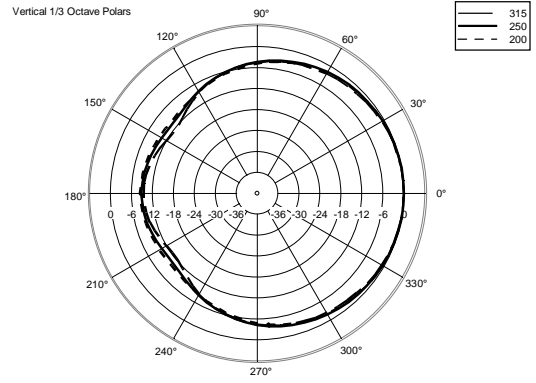
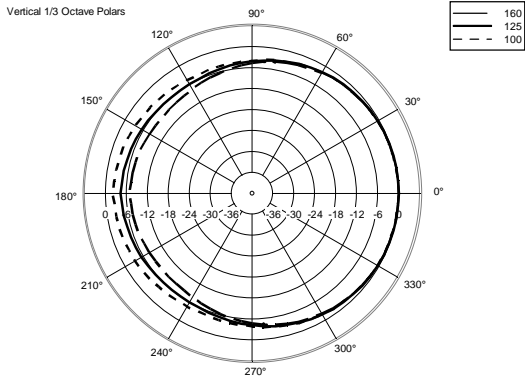
PART NUMBER

- **13000477**
HDL 50-A
90-240V
EAN 8024530013509









ACCESSORIES

AC 2X AZIMUT PLATE

PART NUMBER **13360351**
EAN: 8024530013516

AC POWER CABLE 6X TTL55

PART NUMBER **13360138**
EAN:

AC XLR-3M3F XLR CONN. 3MALE3FEMALEXCABLE

PART NUMBER **13360102**
EAN: 8024530006402

CABLES KIT CBL ETHERCON 0.7M

PART NUMBER **12399016**
EAN: 8024530013844

CABLES KIT CBL ETHERCON 1.5M

PART NUMBER **12399017**
EAN: 8024530013851

CABLES KIT CBL ETHERCON 3M

PART NUMBER **12399035**
EAN: 8024530013868

CABLES KIT CBL ETHERCON 5M

PART NUMBER **12399018**
EAN: 8024530013875

CABLES KIT CBL ETHERCON TO XLR F 0.2M

PART NUMBER **12399019**
EAN: 8024530013882

CABLES KIT CBL ETHERCON TO XLR M 0.2M

PART NUMBER **12399020**
EAN: 8024530013899



CABLES KIT CBL LK 25 MULTIPIN 10M

PART NUMBER **12399023**
EAN: 8024530013837



CABLES KIT CBL LK 25 MULTIPIN 20M

PART NUMBER **12399022**
EAN: 8024530013820



CABLES KIT CBL LKS 19 ARRAY FANOUT

PART NUMBER **12399024**
EAN: 8024530013905



CABLES KIT CBL LKS 19 BREAKOUT

PART NUMBER **12399026**
EAN: 8024530013929



CABLES KIT CBL LKS 19 POWER 10M

PART NUMBER **12399027**
EAN: 8024530013936



CABLES KIT CBL LKS 19 SUB FANOUT

PART NUMBER **12399025**
EAN: 8024530013912



CABLES KIT CBL POWER BOX 6X

PART NUMBER **13360145**
EAN: 8024530015534



CABLES KIT CBL POWERCON LINK 0.7M

PART NUMBER **12399031**
EAN: 8024530013738



CABLES KIT CBL POWERCON LINK 1.5M

PART NUMBER **12399030**
EAN: 8024530013721



CABLES KIT CBL POWERCON LINK 10M

PART NUMBER **12399028**
EAN: 8024530013707



CABLES KIT CBL POWERCON LINK 5M

PART NUMBER **12399029**
EAN: 8024530013714



CABLES KIT LK 25-2 FANOUT

PART NUMBER **12399021**
EAN: 8024530013813



COVER CVR 4X HDL 50

PART NUMBER **13360338**
EAN: 8024530013554



FLYBAR HDL 50-A

PART NUMBER **13360334**
EAN: 8024530013240

HDL 50 UPGRADE KIT 4K

PART NUMBER **12399061**
EAN: 8024530017552



HOIST SPACING CHAIN TTL55

PART NUMBER **13360129**
EAN:



KART WITH WHEELS 4 X HDL 50-A

PART NUMBER **13360336**
EAN: 8024530013271



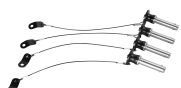
LKS 19-20 POWER CABLE

PART NUMBER **13360146**
EAN: 8024530013943



PINS KIT HDL 50-A 4F

PART NUMBER **13360335**
EAN: 8024530013257



QUICK LOCK PINS KIT 4R

PART NUMBER **13360340**
EAN: 8024530013264



RAIN PROTECTION RP 1X HDL 50

PART NUMBER **13360337**

EAN: 8024530013288
