

HDL 30-A

ACTIVE TWO-WAY LINE ARRAY MODULE

DESCRIPTION

The RCF HDL30-A is a compact bi-amped 2-way active touring system for medium to large events, both indoors and outdoors. It features two 10-inch woofers and an impressive 4-inch titanium compression driver. The time coherent waveguide is the result of in-depth research and design. HDL 30-A is the first line array in a composite cabinet with zero-degree phase and ultra-linear amplitude response. The built-in 2200 watt class-D amplifier delivers excellent playback clarity and up to 137 decibels SPL max. The RCF HDL30 -A features state of the art RCF transducers with neodymium magnets. Considering its acoustical power, it has a remarkably low weight for easy handling and flying. The HDL 38-AS is the ideal flyable bass complement for the HDL 30-A array system.



FEATURES

- 2200W Two Way Amplifier
- 137 dB Max SPL
- 48 kHz, 32 bit DSP processing
- 1.4" Titanium Compression Driver, 4.0" voice coil
- 2 x 10" Neodymium Woofers, 2.5" voice coil
- Exclusive FiRPHASE technology on-board
- RDNet Control and Management
- 680 Hz Crossover Point

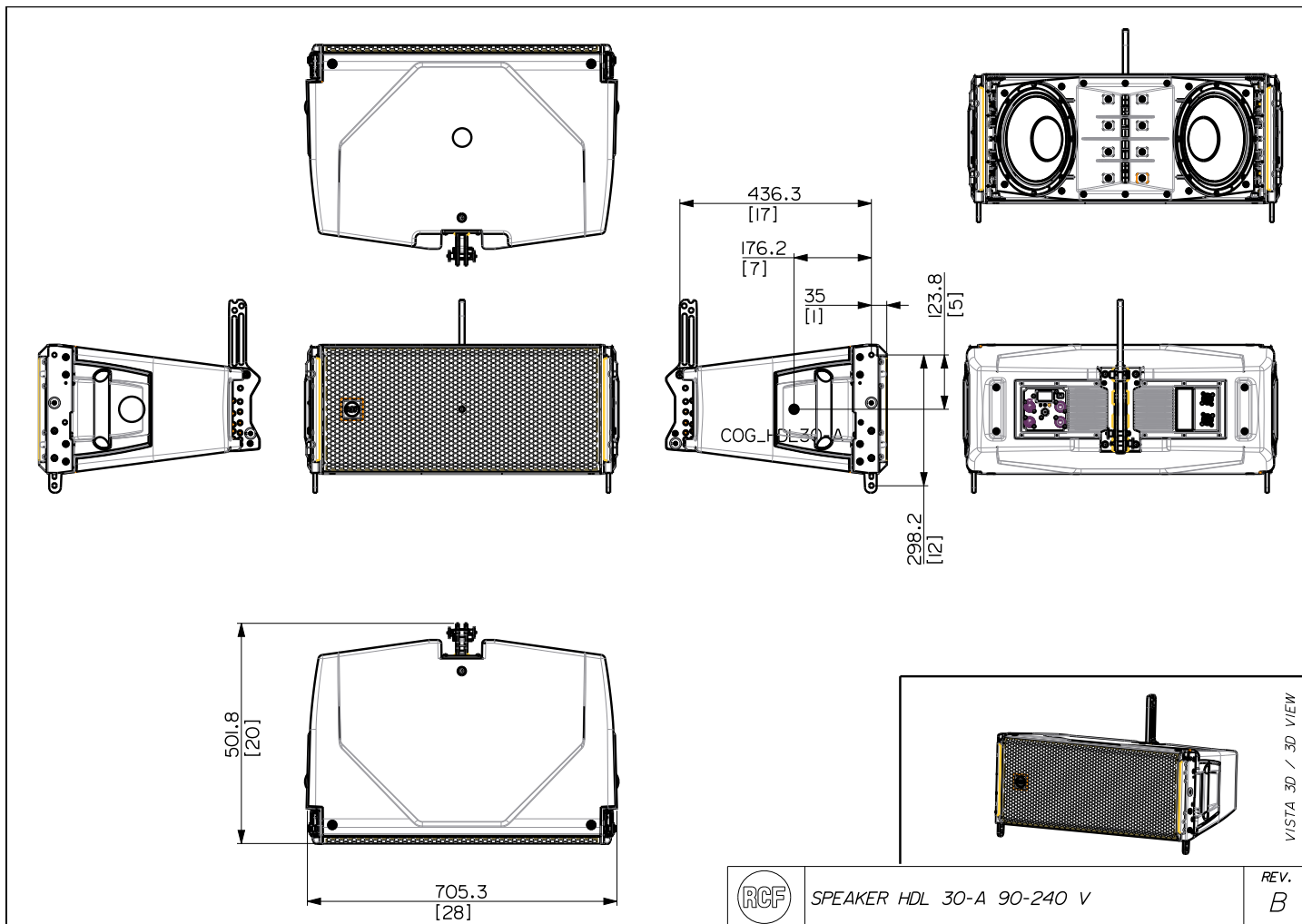
TECHNICAL SPECIFICATIONS

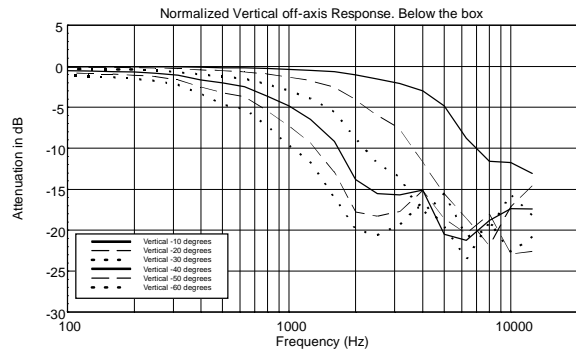
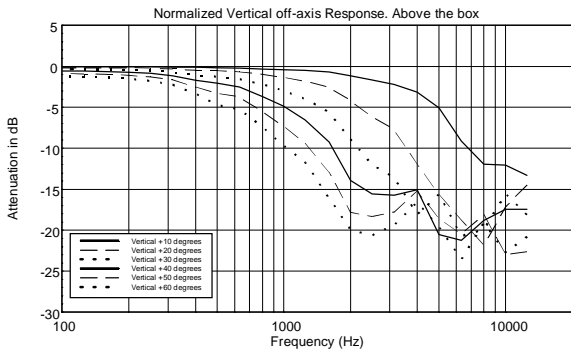
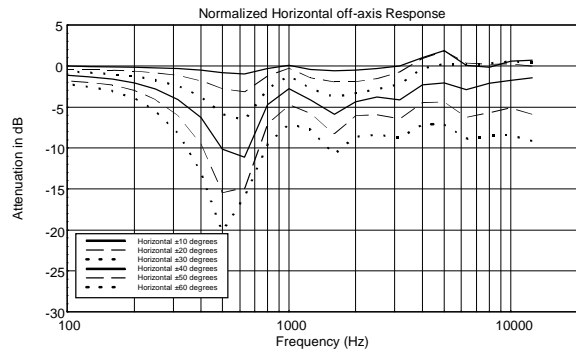
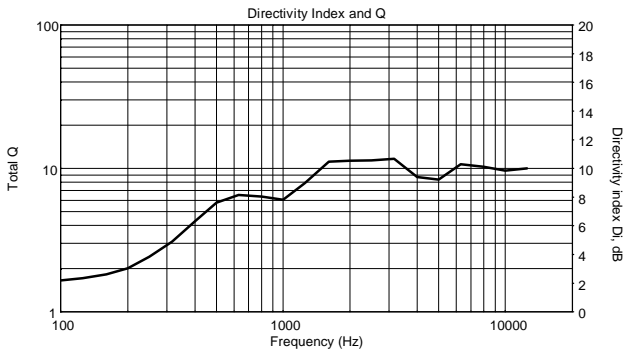
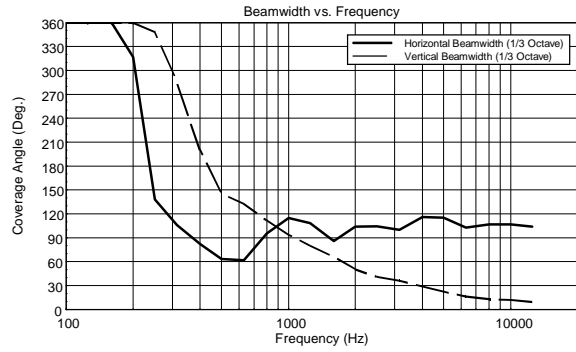
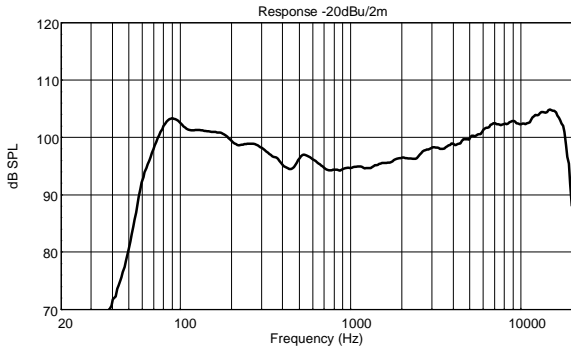
Acoustical specifications	Frequency Response:	50 Hz ÷ 20000 Hz
	Max SPL @ 1m:	137 dB
	Horizontal coverage angle:	100°
	Vertical coverage angle:	15°
Transducers	Compression Driver:	1 x 1.4" neo, 4.0" v.c
	Woofers:	2 x 10" neo, 2.5" v.c
Input/Output section	Input signal:	bal/unbal
	Input connectors:	XLR, RDNet Ethercon
	Output connectors:	XLR, RDNet Ethercon
	Input sensitivity:	+4 dBu
Processor section	Crossover Frequencies:	680 Hz
	Protections:	Thermal, RMS
	Limiter:	Soft Limiter
	Controls:	Preset, RDNet bypass
	RDNet:	Yes
Power section	Total Power:	2200 W Peak, 1100 W RMS
	High frequencies:	600 W Peak, 300 W RMS
	Low frequencies:	1600 W Peak, 800 W RMS
	Cooling:	Forced
	Connections:	Powercon IN/OUT
Standard compliance	CE marking:	Yes
Physical specifications	Cabinet/Case Material:	PP Composite
	Hardware:	Array fittings
	Handles:	2 Side
	Grille:	Steel
	Color:	Black
Size	Height:	293 mm / 11.54 inches
	Width:	705 mm / 27.76 inches
	Depth:	502 mm / 19.76 inches
	Weight:	25 kg / 55.12 lbs
Shipping informations	Package Height:	365 mm / 14.37 inches
	Package Width:	800 mm / 31.5 inches
	Package Depth:	550 mm / 21.65 inches
	Package Weight:	28.2 kg / 62.17 lbs

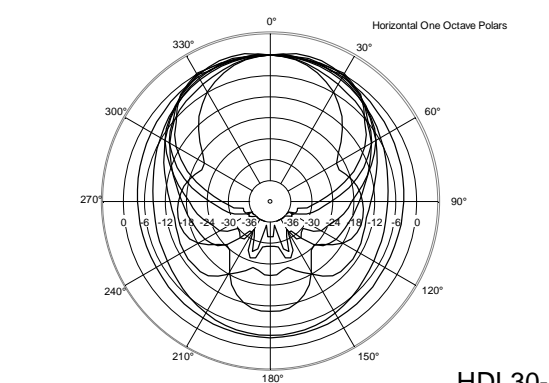
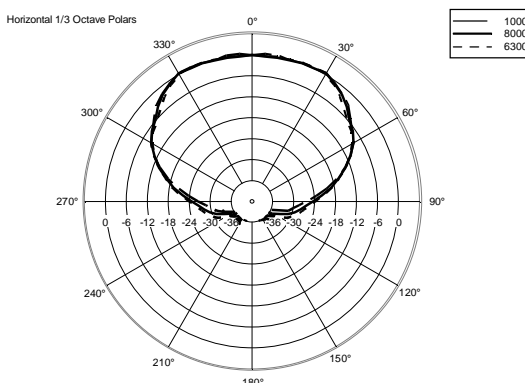
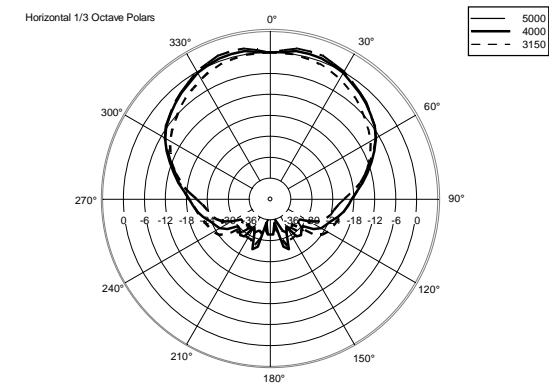
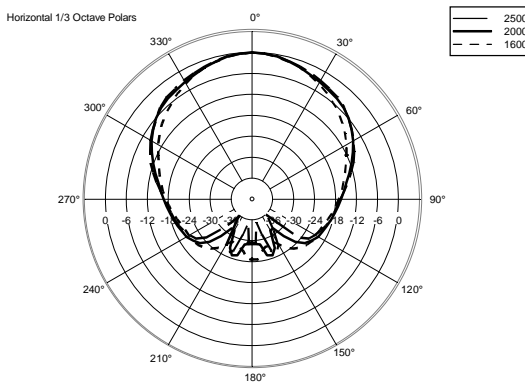
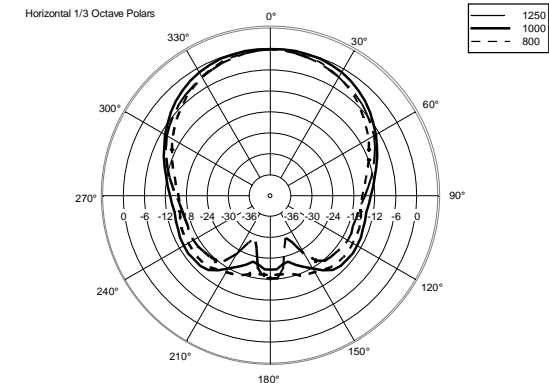
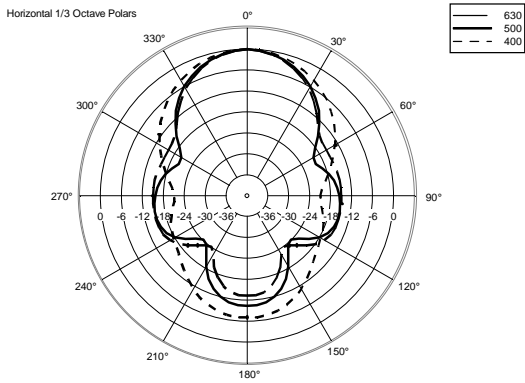
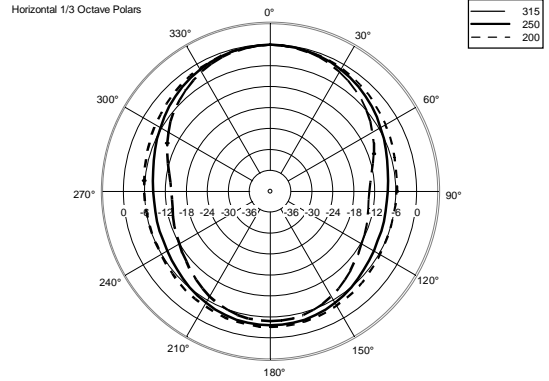
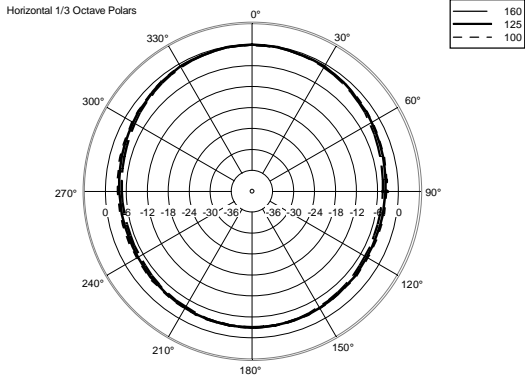


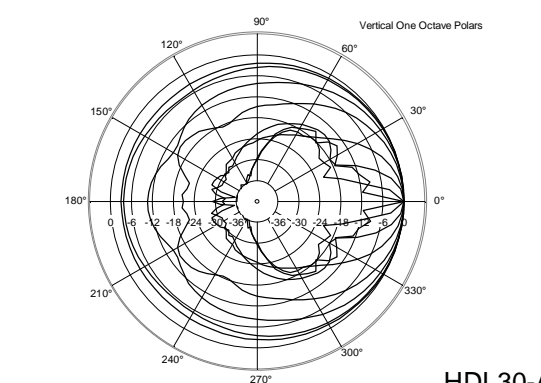
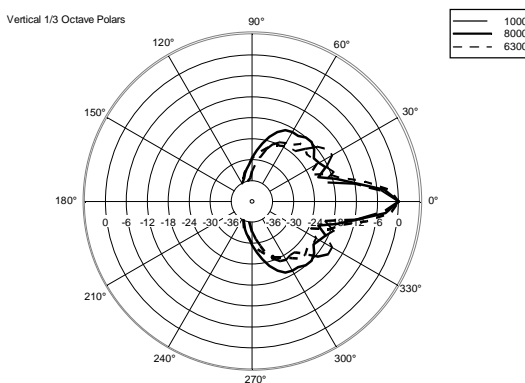
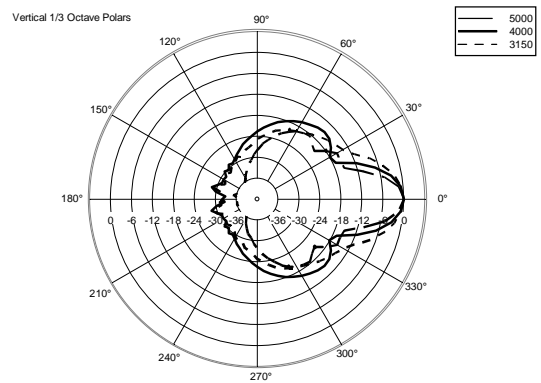
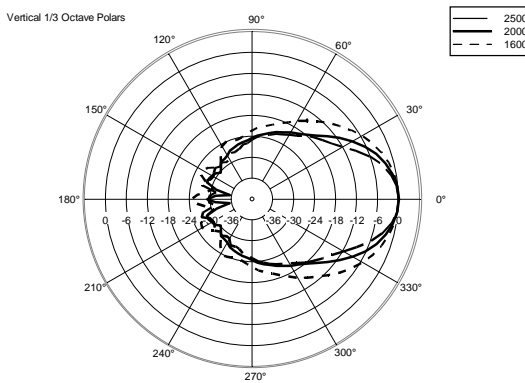
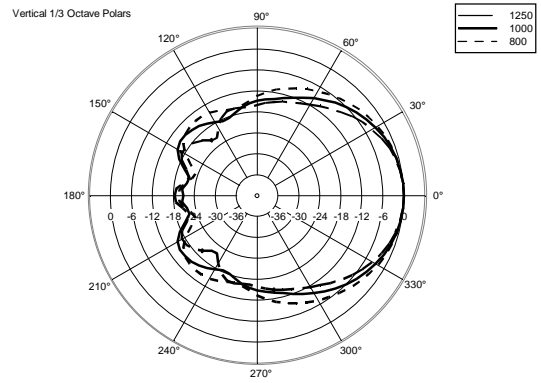
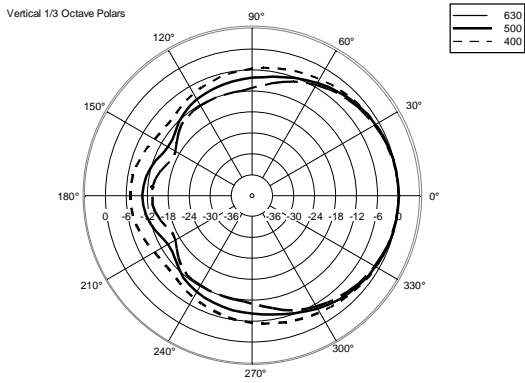
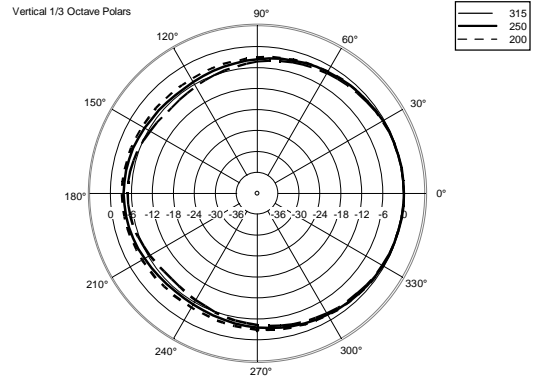
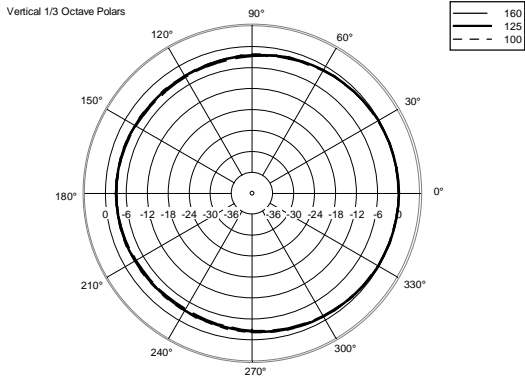
PART NUMBER

- **13000511**
HDL 30-A
90-240V
EAN 8024530014643









ACCESSORIES

AC 2X AZIMUT PLATE

PART NUMBER **13360351**
EAN: 8024530013516

AC POWER CABLE 6X TTL55

PART NUMBER **13360138**
EAN:

AC XLR-3M3F XLR CONN. 3MALE3FEMALEXCABLE

PART NUMBER **13360102**
EAN: 8024530006402

CABLES KIT CBL ETHERCON 0.7M

PART NUMBER **12399016**
EAN: 8024530013844

CABLES KIT CBL ETHERCON 1.5M

PART NUMBER **12399017**
EAN: 8024530013851

CABLES KIT CBL ETHERCON 3M

PART NUMBER **12399035**
EAN: 8024530013868

CABLES KIT CBL ETHERCON 5M

PART NUMBER **12399018**
EAN: 8024530013875

CABLES KIT CBL ETHERCON TO XLR F 0.2M

PART NUMBER **12399019**
EAN: 8024530013882

CABLES KIT CBL ETHERCON TO XLR M 0.2M

PART NUMBER **12399020**
EAN: 8024530013899



CABLES KIT CBL LK 25 MULTIPIN 10M

PART NUMBER **12399023**
EAN: 8024530013837



CABLES KIT CBL LK 25 MULTIPIN 20M

PART NUMBER **12399022**
EAN: 8024530013820



CABLES KIT CBL LKS 19 ARRAY FANOUT

PART NUMBER **12399024**
EAN: 8024530013905



CABLES KIT CBL LKS 19 BREAKOUT

PART NUMBER **12399026**
EAN: 8024530013929



CABLES KIT CBL LKS 19 POWER 10M

PART NUMBER **12399027**
EAN: 8024530013936



CABLES KIT CBL LKS 19 SUB FANOUT

PART NUMBER **12399025**
EAN: 8024530013912



CABLES KIT CBL POWER BOX 6X

PART NUMBER **13360145**
EAN: 8024530015534



CABLES KIT CBL POWERCON LINK 0.7M

PART NUMBER **12399031**
EAN: 8024530013738



CABLES KIT CBL POWERCON LINK 1.5M

PART NUMBER **12399030**
EAN: 8024530013721



CABLES KIT CBL POWERCON LINK 10M

PART NUMBER **12399028**
EAN: 8024530013707



CABLES KIT CBL POWERCON LINK 5M

PART NUMBER **12399029**
EAN: 8024530013714



CABLES KIT LK 25-2 FANOUT

PART NUMBER **12399021**
EAN: 8024530013813

COVER CVR 4X HDL 28

PART NUMBER **13360422**
EAN: 8024530016265



COVER CVR 4X HDL 30

PART NUMBER **13360386**
EAN: 8024530015145



COVER CVR SUB 9006

PART NUMBER **13360363**
EAN: 8024530013776



FLYBAR HDL30-A

PART NUMBER **13360380**
EAN: 8024530015114



HOIST SPACING CHAIN TTL55

PART NUMBER **13360129**
EAN:



LINK BAR FL-B LINK HDL 50-30

PART NUMBER **13360389**
EAN: 8024530015398



LKS 19-20 POWER CABLE

PART NUMBER **13360146**
EAN: 8024530013943



MOUNTING KIT FL-B PK HDL 30

PART NUMBER **13360394**
EAN: 8024530015220



RAIN PROTECTION RP 1X HDL 30

PART NUMBER **13360388**

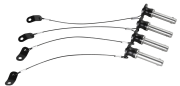
EAN: 8024530015138



SPARE PINS FRONT 4X HDL20- HDL18

PART NUMBER **13360219**

EAN: 8024530015763



SPARE PINS REAR 4X HDL20- HDL18

PART NUMBER **13360220**

EAN: 8024530015770



STACKING KIT STCK-KIT 2X HDL 30

PART NUMBER **13360393**

EAN: 8024530015336