

HDM 45-A

ACTIVE TWO-WAY PROFESSIONAL SPEAKER

DESCRIPTION

The HDM 45-A speaker boosts the performance with a top-quality two channel amplifier, RDNet networked management, RCF precision transducers, the FIRPHASE processing, and a rugged cabinet. While being one of the most powerful speakers in composite material in its category, it delivers clear, detailed and smooth sound from low to very high levels, with low distortion and fast transient response. The HDM concept is inspired by the touring industry, packing in an elegant and lightweight cabinet the maximum reliability and strength for intensive use on the road. Perfect as a main front of house speaker in PA systems, high-powered floor monitor, or unobtrusive infill system when combined with the RCF HDL System speakers.



FEATURES

- 133 dB Max SPL
- 2200 Watts two-way power
- Innovative DSP Processing with FIRPHASE
- 650 Hz crossover point for perfect vocal reproduction
- 15" Neodimium Woofer, 3.5" v.c.
- 1.5" Titanium Compression Driver, 4.0" v.c. Neodimium
- 90°x60°, wide dispersion constant directivity horn
- RDNet compatible
- Silent Fanless Class-D Amplifier
- Ultra-Light weight

TECHNICAL SPECIFICATIONS

| | | |
|----------------------------------|----------------------------|---|
| Acoustical specifications | Frequency Response: | 45 Hz ÷ 20000 Hz |
| | Max SPL @ 1m: | 133 dB |
| | Horizontal coverage angle: | 90° |
| | Vertical coverage angle: | 60° |
| Transducers | Compression Driver: | 1.5" neo, 4.0" v.c |
| | Woofers: | 15" neo, 3.5" v.c |
| Input/Output section | Input signal: | bal/unbal |
| | Input connectors: | XLR, RDNet Ethercon |
| | Output connectors: | XLR, RDNet Ethercon |
| | Input sensitivity: | -2 dBu/+4 dBu |
| | Mic. Input Sensitivity: | -32 dBu |
| Processor section | Crossover Frequencies: | 650 Hz |
| | Protections: | Thermal, HF |
| | Limiter: | Fast Limiter |
| | Controls: | proces., 8 sel. presets |
| | RDNet: | Yes |
| Power section | Total Power: | 2200 W Peak, 1100 W RMS |
| | High frequencies: | 600 W Peak, 300 W RMS |
| | Low frequencies: | 1600 W Peak, 800 W RMS |
| | Cooling: | Convection |
| | Connections: | Powercon IN/OUT |
| Standard compliance | EN54-16 certified: | Yes |
| | CE marking: | Yes |
| Physical specifications | Cabinet/Case Material: | PP Composite |
| | Hardware: | 1 x M10 top, 1 x M10 bottom, 2 x M10 side |
| | Handles: | 1 Top, 2 Side |
| | Pole mount/Cap: | Yes |
| | Grille: | Steel |
| | Color: | Black |
| Size | Height: | 714 mm / 28.11 inches |
| | Width: | 442 mm / 17.4 inches |
| | Depth: | 397 mm / 15.63 inches |
| | Weight: | 22 kg / 48.5 lbs |
| Shipping informations | Package Height: | 750 mm / 29.53 inches |
| | Package Width: | 440 mm / 17.32 inches |
| | Package Depth: | 480 mm / 18.9 inches |
| | Package Weight: | 24.5 kg / 54.01 lbs |



PART NUMBER

• **13000665**

HDM 45-A

US

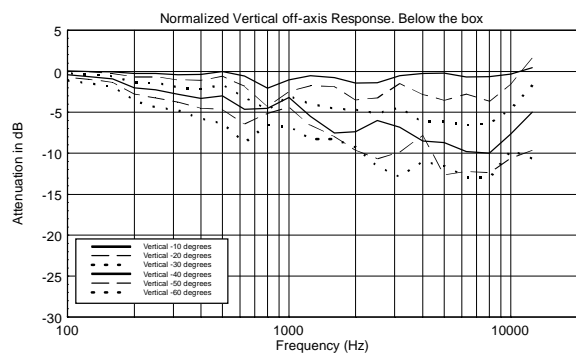
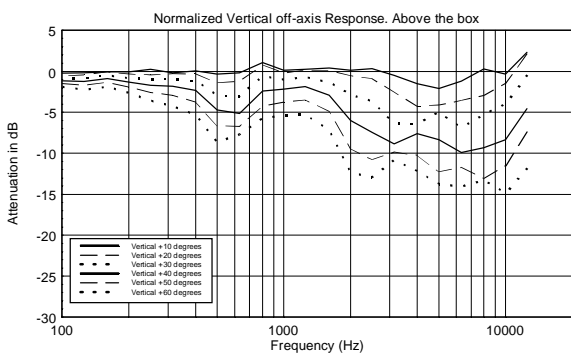
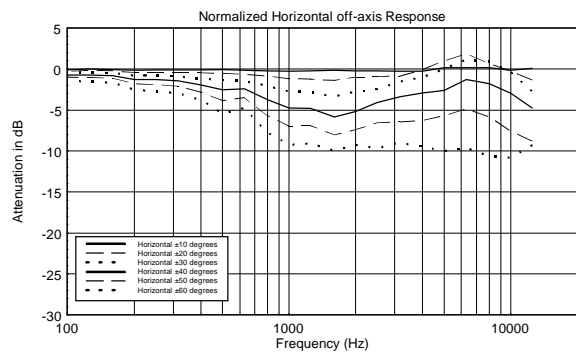
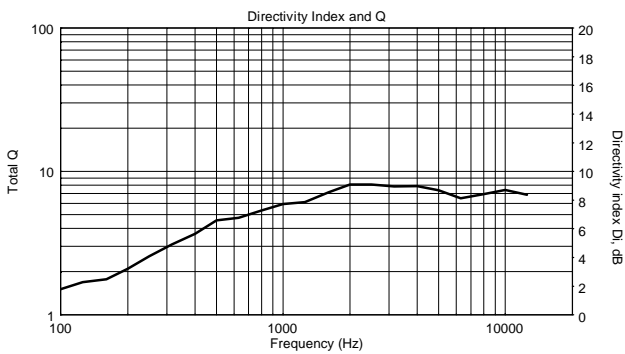
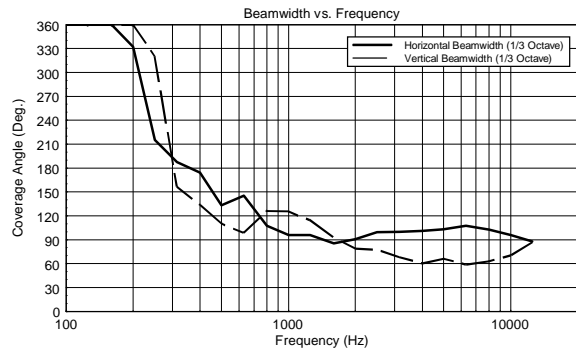
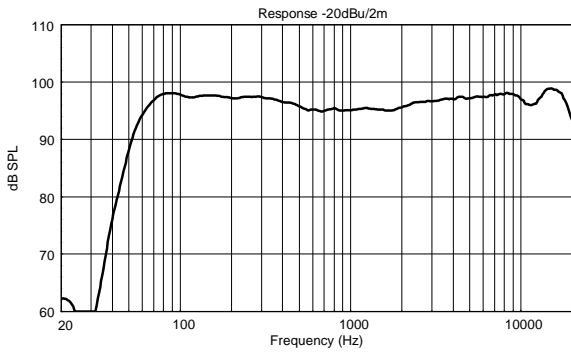
EAN 8024530017613

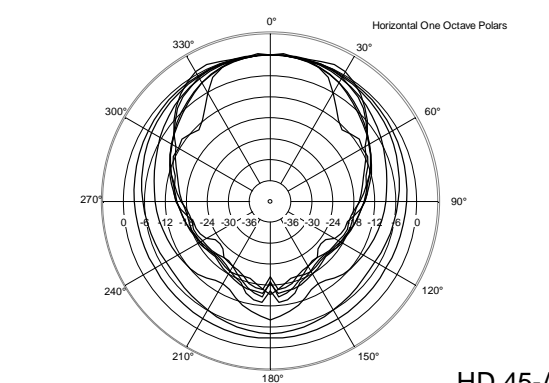
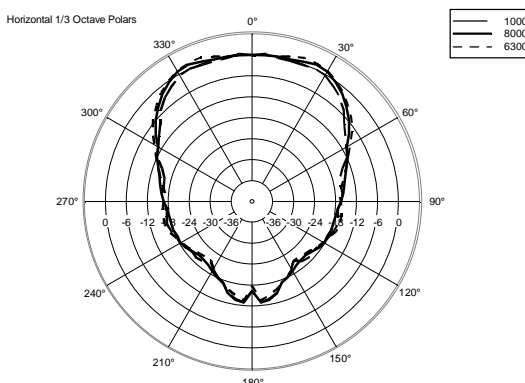
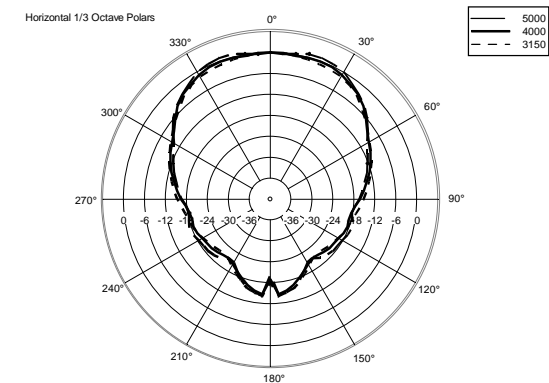
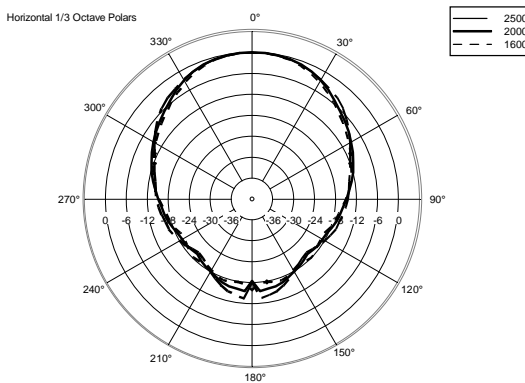
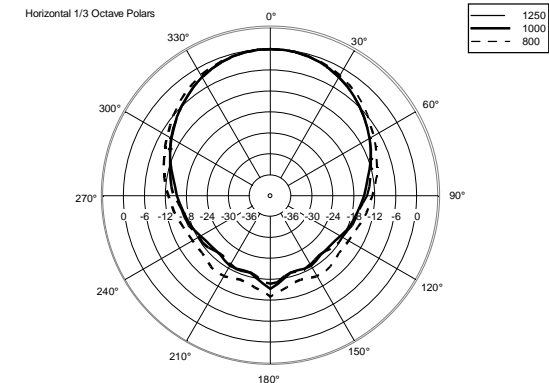
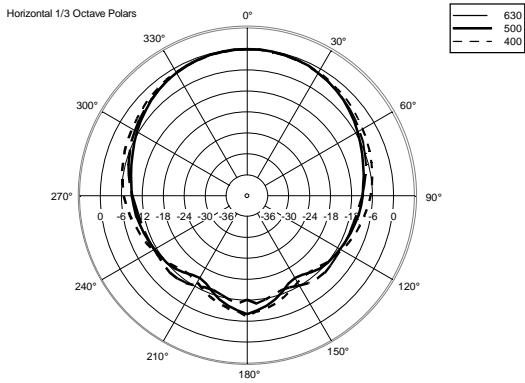
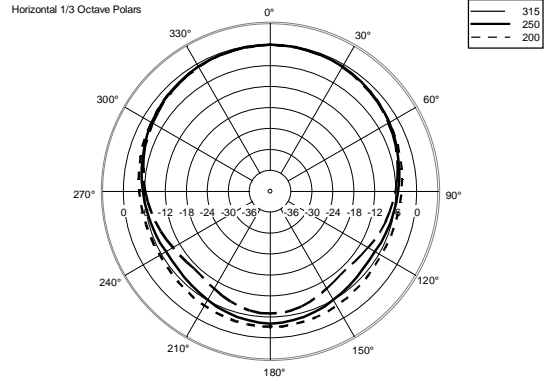
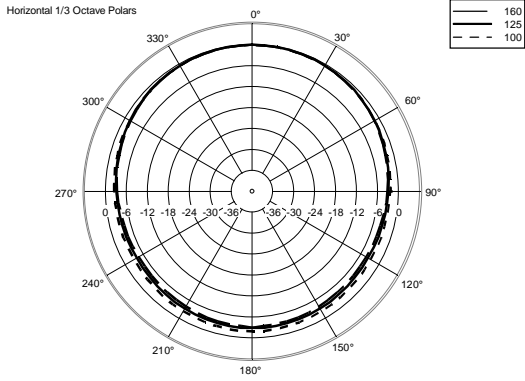
• **13000593**

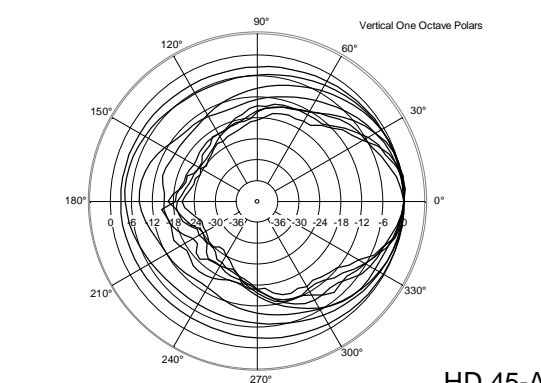
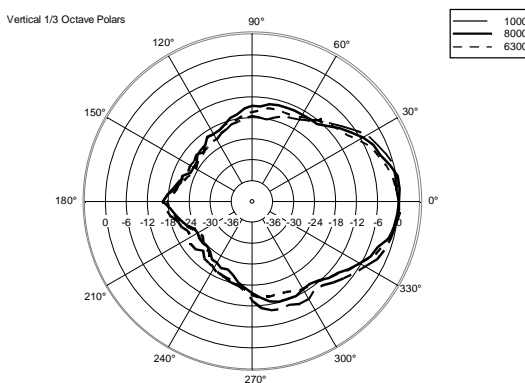
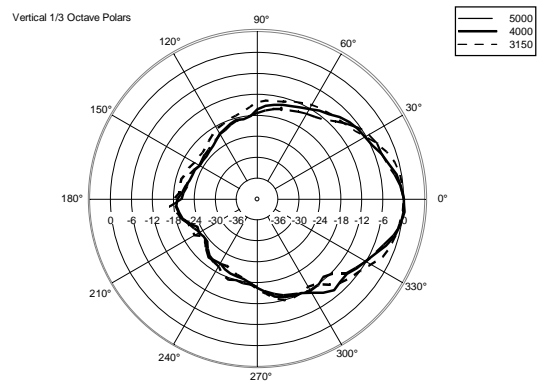
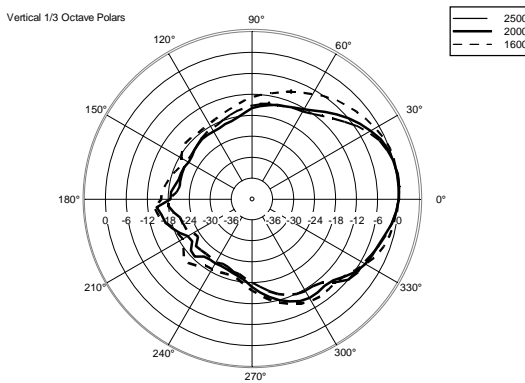
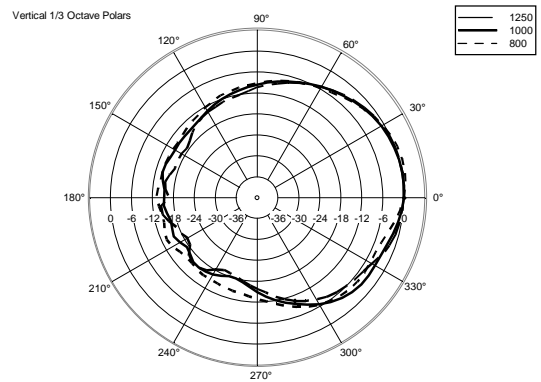
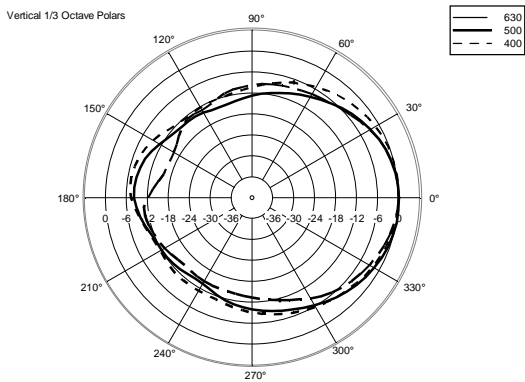
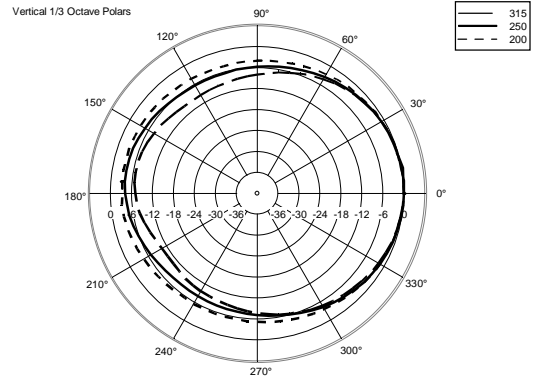
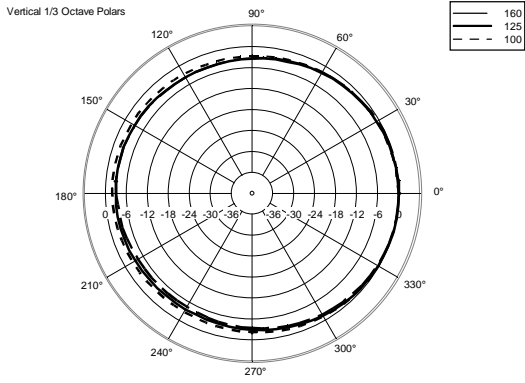
HDM 45-A

EU

EAN 8024530016791







ACCESSORIES



COVER CVR HD 15

PART NUMBER **13360438**

EAN: 8024530016708
