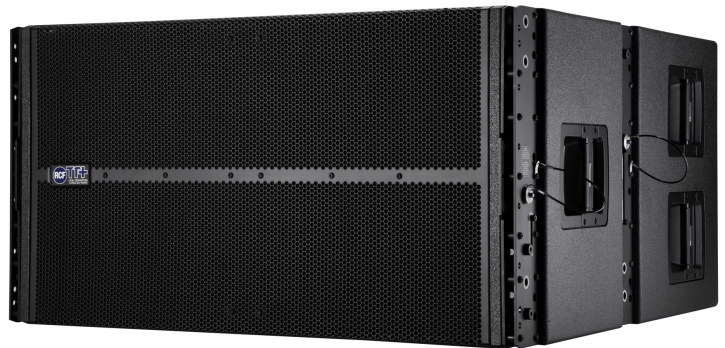


TTL 36-AS

ACTIVE LINE ARRAY SUBWOOFER MODULE

DESCRIPTION

The TTL36-AS is the ideal flyable bass complement for the TTL55-A array system. The clam-shell design guarantees the maximum output per size while the 2 x 4.5" voice coil vented 18" woofer design offers the minimum of power compression. The TTL36-AS is perfect to create flown systems for theatrical and indoor requirements. For very large outdoor systems is the perfect complement to reinforce the TTL55-A bass performance in combination with the ultra powerful TTS56-A subwoofers.



FEATURES

- 4000 Watt (2 x 2000 W digital switching amplifiers)
- 2 x 18" high power neodymium woofer, 4.5" v. c.
- 96 Khz, 32 bit DSP processing
- Remote monitoring and control
- Time delay alignment
- Cardioid preset for stacking groups of 3
- Tour grade Baltic birch cabinet, integrated rigging
- RDNet on board
- Maximum output per size

TECHNICAL SPECIFICATIONS

Acoustical specifications	Frequency Response:	35 Hz ÷ 120 Hz
	Max SPL @ 1m:	142 dB
Transducers	Woofers:	2 x 18" neo, 4.5" v.c
Input/Output section	Input signal:	bal/unbal
	Input connectors:	XLR, RDNet Ethercon
	Output connectors:	XLR, RDNet Ethercon
	Input sensitivity:	-2 dBu/+10 dBu
Processor section	Hi-Pass Frequencies:	100 Hz
	Low-Pass Frequencies:	80 Hz
	Protections:	Thermal, Excurs., RMS
	Limiter:	Soft Limiter
	Controls:	DSP Controlled
	RDNet:	Yes
Power section	Total Power:	8000 W Peak, 4000 W RMS
	Low frequencies:	8000 W Peak, 4000 W RMS
	Cooling:	Convection/Forced
	Connections:	Powercon IN/OUT
Standard compliance	CE marking:	Yes
Physical specifications	Cabinet/Case Material:	Baltic birch plywood
	Hardware:	Array flyware
	Handles:	3 side
	Grille:	Steel
	Color:	Black
Size	Height:	536 mm / 21.1 inches
	Width:	1022 mm / 40.24 inches
	Depth:	970 mm / 38.19 inches
	Weight:	120 kg / 264.55 lbs
Shipping informations	Package Height:	1287 mm / 50.67 inches
	Package Width:	1194 mm / 47.01 inches
	Package Depth:	794 mm / 31.26 inches
	Package Weight:	177 kg / 390.22 lbs



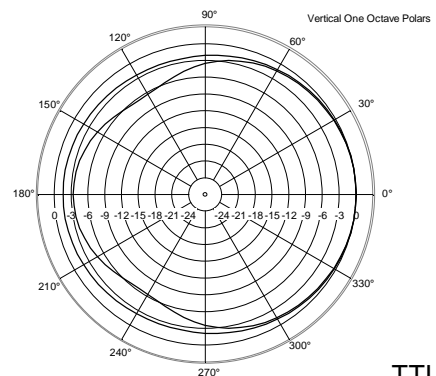
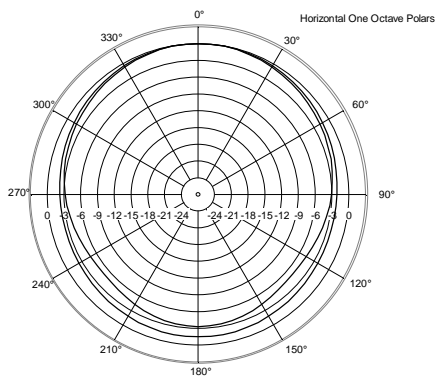
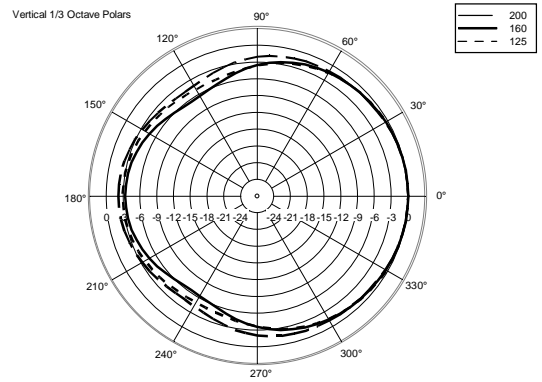
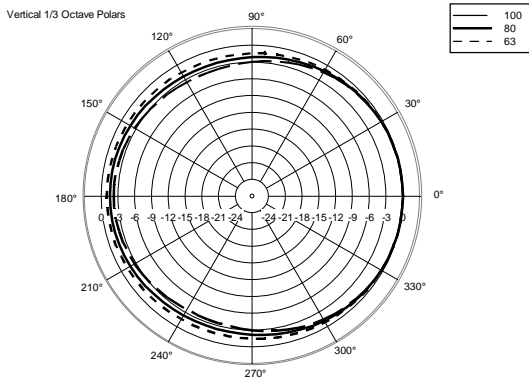
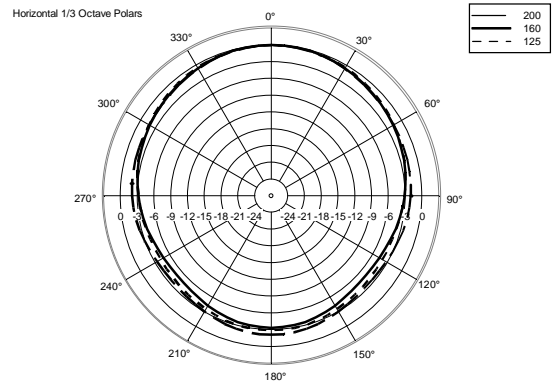
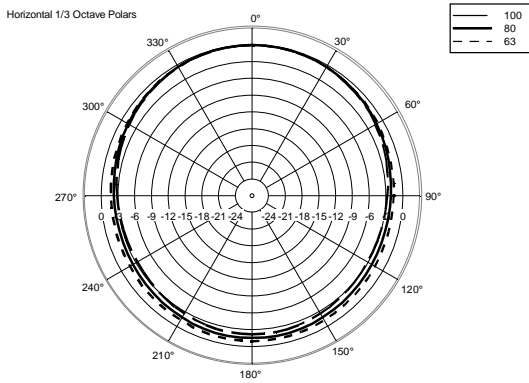
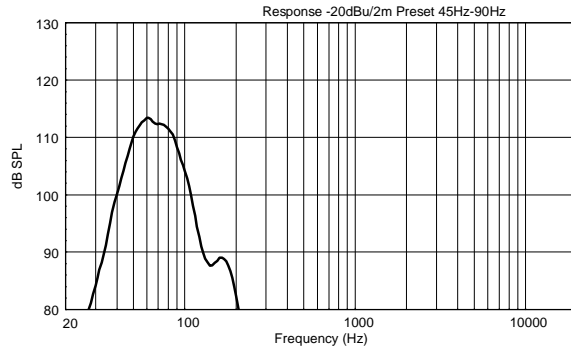
PART NUMBER

- **13000271**

TTL 36-AS

90-240V

EAN 8024530009083



ACCESSORIES

4 QUICK LOCK PINS FOR TTL55-A

PART NUMBER **13360122**
EAN: 8024530017972

AC 2X AZIMUT PLATE

PART NUMBER **13360351**
EAN: 8024530013516

AC POWER CABLE 6X TTL55

PART NUMBER **13360138**
EAN:

AC RAIN COVER TTS56-A

PART NUMBER **13360137**
EAN:

AC XLR-3M3F XLR CONN. 3MALE3FEMALEXCABLE

PART NUMBER **13360102**
EAN: 8024530006402

CABLES KIT CBL ETHERCON 0.7M

PART NUMBER **12399016**
EAN: 8024530013844

CABLES KIT CBL ETHERCON 1.5M

PART NUMBER **12399017**
EAN: 8024530013851

CABLES KIT CBL ETHERCON 3M

PART NUMBER **12399035**
EAN: 8024530013868

CABLES KIT CBL ETHERCON 5M

PART NUMBER **12399018**
EAN: 8024530013875



CABLES KIT CBL ETHERCON TO XLR F 0.2M

PART NUMBER **12399019**
EAN: 8024530013882

CABLES KIT CBL ETHERCON TO XLR M 0.2M

PART NUMBER **12399020**
EAN: 8024530013899

CABLES KIT CBL LK 25 MULTIPIN 10M

PART NUMBER **12399023**
EAN: 8024530013837

CABLES KIT CBL LK 25 MULTIPIN 20M

PART NUMBER **12399022**
EAN: 8024530013820

CABLES KIT CBL LKS 19 ARRAY FANOUT

PART NUMBER **12399024**
EAN: 8024530013905

CABLES KIT CBL LKS 19 BREAKOUT

PART NUMBER **12399026**
EAN: 8024530013929

CABLES KIT CBL LKS 19 POWER 10M

PART NUMBER **12399027**
EAN: 8024530013936

CABLES KIT CBL LKS 19 SUB FANOUT

PART NUMBER **12399025**
EAN: 8024530013912

CABLES KIT CBL LKS 25-2 FANOUT

PART NUMBER **12399021**
EAN: 8024530013813

CABLES KIT CBL POWER BOX 6X

PART NUMBER **13360145**
EAN: 8024530015534



CABLES KIT CBL POWERCON LINK 0.7M

PART NUMBER **12399031**
EAN: 8024530013738



CABLES KIT CBL POWERCON LINK 1.5M

PART NUMBER **12399030**
EAN: 8024530013721



CABLES KIT CBL POWERCON LINK 10M

PART NUMBER **12399028**
EAN: 8024530013707



CABLES KIT CBL POWERCON LINK 5M

PART NUMBER **12399029**
EAN: 8024530013714



FLY BAR PICKUP TTL55

PART NUMBER **13360127**
EAN:



HOIST SPACING CHAIN TTL55

PART NUMBER **13360129**
EAN:



LINK BAR TTL55-33-31

PART NUMBER **13360131**
EAN:



LKS 19-20 POWER CABLE

PART NUMBER **13360146**
EAN: 8024530013943

LONG FLY BAR TTL55

PART NUMBER **13360207**
EAN:



PRO SWIVEL WHEELS KIT

PART NUMBER **13360238**
EAN:



SAFETY CHAIN TTL55

PART NUMBER **13360128**
EAN:



TTL55-A FLY BAR

PART NUMBER **13360120**
EAN:
