

TTS 18-A II

ACTIVE HIGH POWER SUBWOOFER

DESCRIPTION

The RCF TTS 18-A II is a compact, high output subwoofer module ideal in combination with TT+ two way systems. The RCF TTS 18-A II woofer features lightweight neodymium magnet, inside-outside copper voice coil; silicon double spiders; water resistant treated cone; magnet assembly with minimum power compression. The amplifier section features 1400 watt RMS SMPS class-D Amplifier with full DSP and RDNet network capabilities.



FEATURES

- 136 dB SPL Max
- 35-400 Hz Frequency Range
- 1 x 18" Hyper Vented woofer, 4" Voice Coil
- DSP Controlled Input Section with selectable presets (e.g. cardioid)
- 1400W RMS Class-D Amplifier
- RDNet remote monitoring and control
- Vertical and horizontal placement with M20 pole receptacle on top and side
- Baltic Birch Cabinet

TECHNICAL SPECIFICATIONS

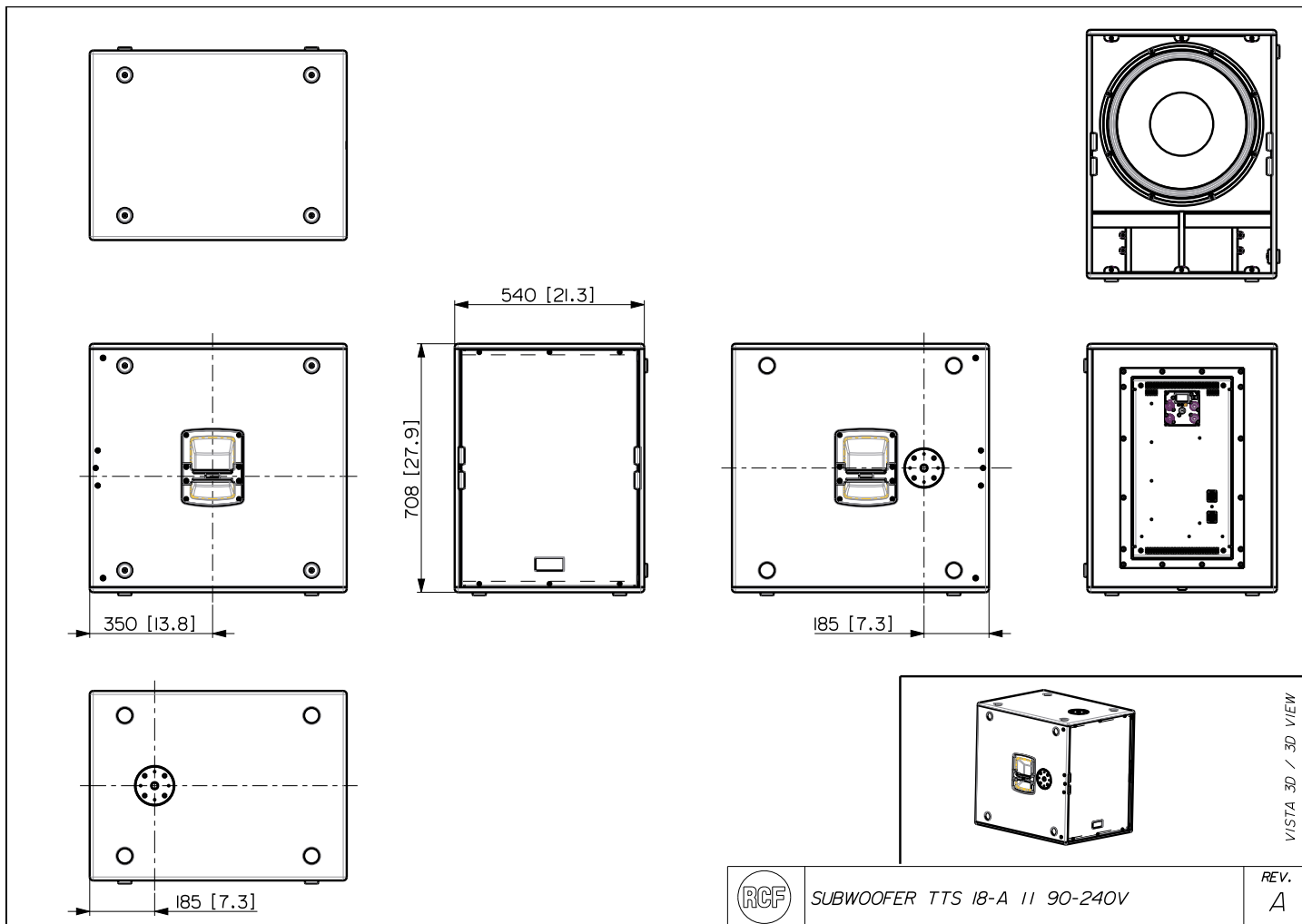
Acoustical specifications	Frequency Response:	30 Hz ÷ 400 Hz
	Max SPL @ 1m:	137 dB
Transducers	Woofers:	18" neo, 4.0" v.c
Input/Output section	Input signal:	bal/unbal
	Input connectors:	XLR, RDNet Ethercon
	Output connectors:	XLR, RDNet Ethercon
	Input sensitivity:	+4 dBu
Processor section	Hi-Pass Frequencies:	30 Hz, 40 Hz
	Low-Pass Frequencies:	Variable from 50 Hz to 100 Hz
	Protections:	Thermal, RMS
	Limiter:	Fast Limiter
	Controls:	Gain, Eq, Preset Switch, Output Delay
Power section	Total Power:	2800 W Peak, 1400 W RMS
	Cooling:	Forced
	Connections:	Powercon IN/OUT
Standard compliance	CE marking:	Yes
Physical specifications	Cabinet/Case Material:	Baltic birch plywood
	Hardware:	2 x M20
	Handles:	2 x Side
	Grille:	Steel
	Color:	Black
Size	Height:	708 mm / 27.87 inches
	Width:	540 mm / 21.26 inches
	Depth:	732 mm / 28.82 inches
	Weight:	52 kg / 114.64 lbs
Shipping informations	Package Height:	780 mm / 30.71 inches
	Package Width:	800 mm / 31.5 inches
	Package Depth:	610 mm / 24.02 inches
	Package Weight:	56.8 kg / 125.22 lbs

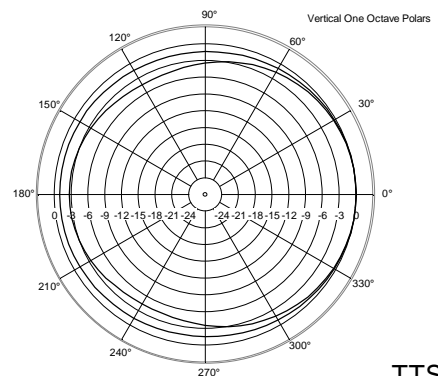
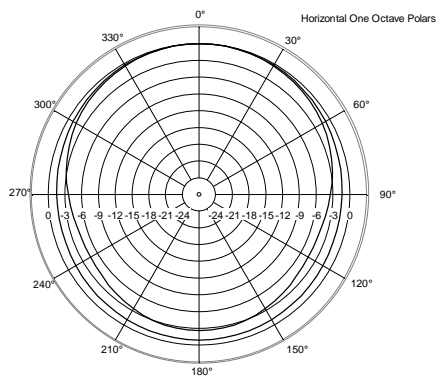
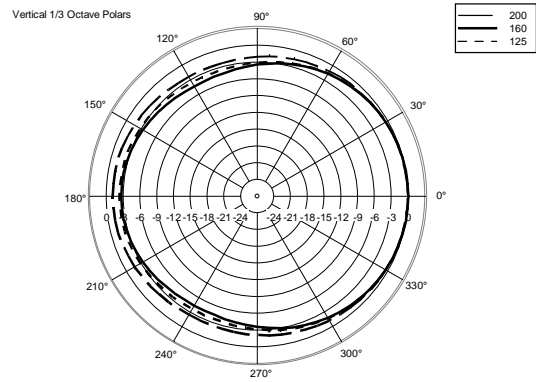
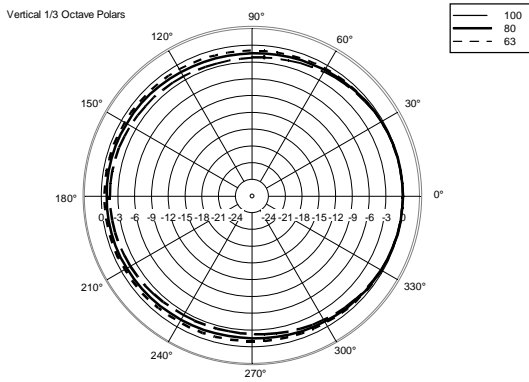
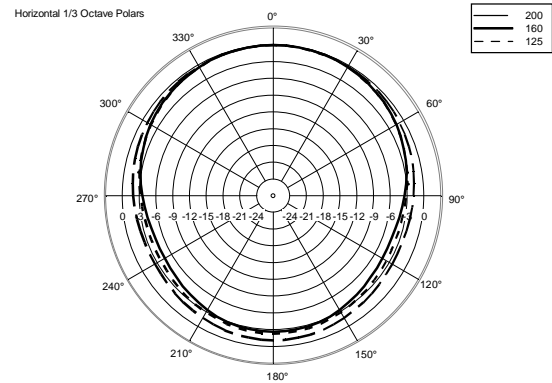
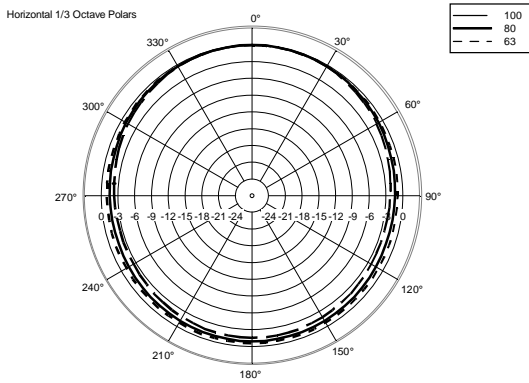
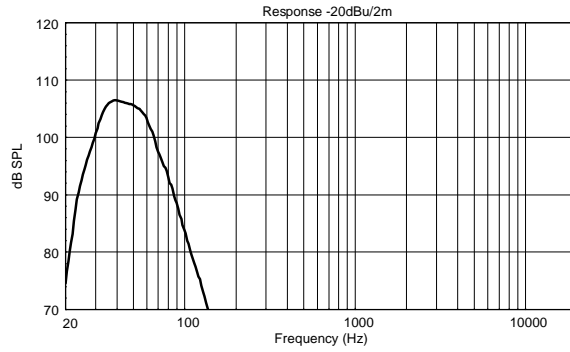
PART NUMBER

- **13000545**

TTS 18-A II

EAN 8024530015343





ACCESSORIES

AC CONNECTION SUB8006-AS CONN. BRACKET

PART NUMBER

13360231

EAN:



AC PM-M20

PART NUMBER

13360067

EAN:

8024530014599



AC PMX POLE MOUNT M20

PART NUMBER

13360232

EAN:

8024530010058



AC XLR-3M3F XLR CONN. 3MALE3FEMALEXCABLE

PART NUMBER

13360102

EAN:

8024530006402



CABLES KIT CBL ETHERCON 0.7M

PART NUMBER

12399016

EAN:

8024530013844



CABLES KIT CBL ETHERCON 3M

PART NUMBER

12399035

EAN:

8024530013868



CABLES KIT CBL ETHERCON 5M

PART NUMBER

12399018

EAN:

8024530013875



CABLES KIT CBL ETHERCON TO XLR F 0.2M

PART NUMBER

12399019

EAN:

8024530013882



CABLES KIT CBL ETHERCON TO XLR M 0.2M

PART NUMBER

12399020

EAN:

8024530013899



CABLES KIT CBL POWER BOX 6X

PART NUMBER **13360145**
EAN: 8024530015534

CABLES KIT CBL POWERCON LINK 1.5M

PART NUMBER **12399030**
EAN: 8024530013721

CABLES KIT CBL POWERCON LINK 10M

PART NUMBER **12399028**
EAN: 8024530013707

CABLES KIT CBL POWERCON LINK 5M

PART NUMBER **12399029**
EAN: 8024530013714

COVER CVR TTS 18 II

PART NUMBER **13360396**
EAN: 8024530015466

KART WITH WHEELS KRT-WH TTS 18 II

PART NUMBER **13360384**
EAN: 8024530015039